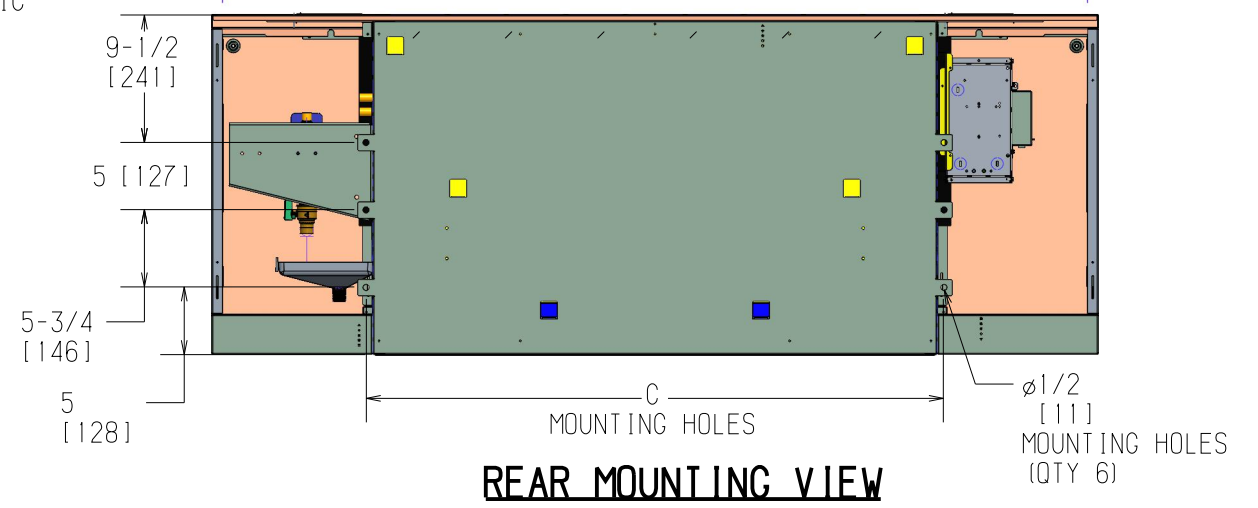
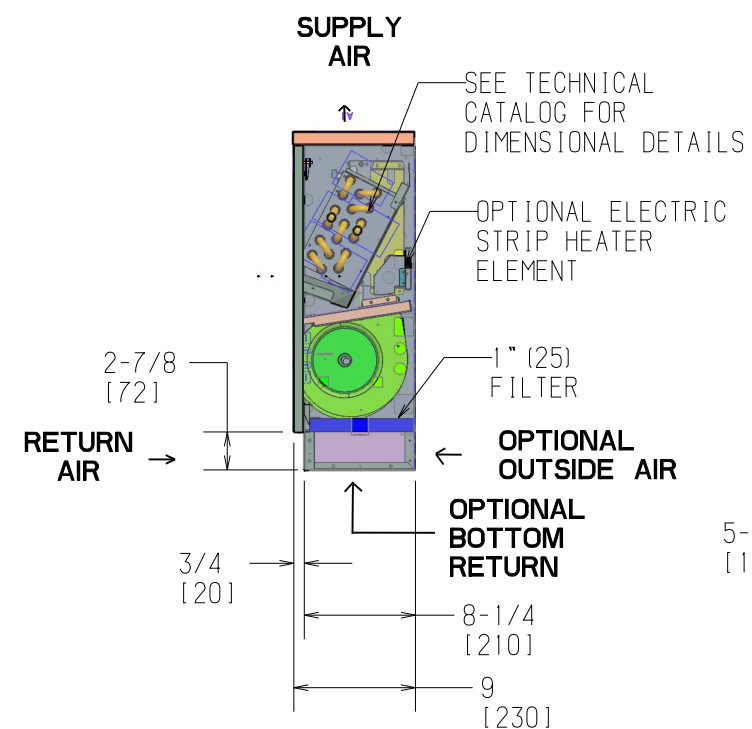
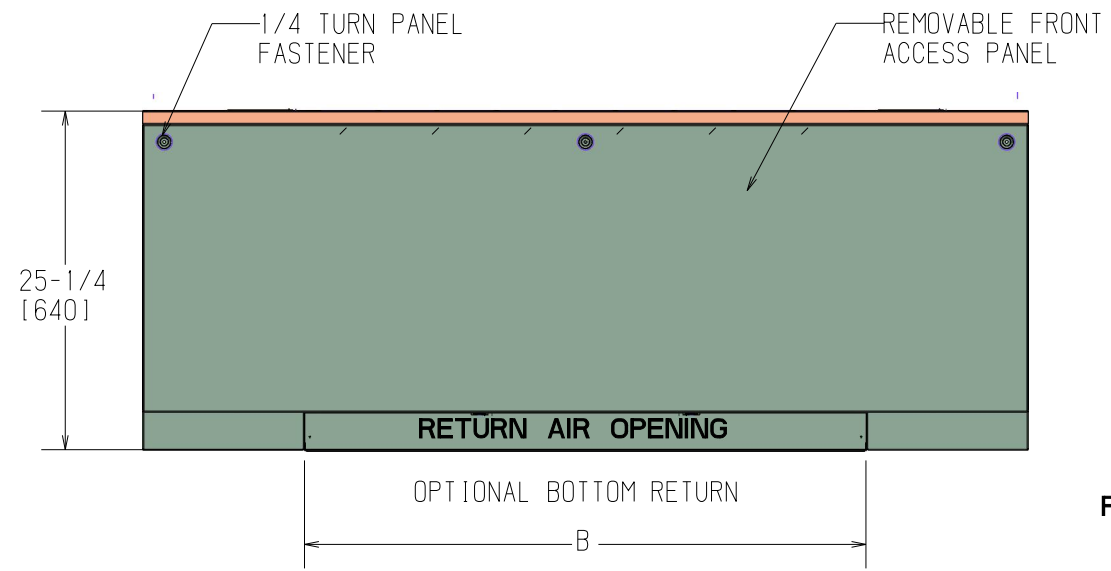
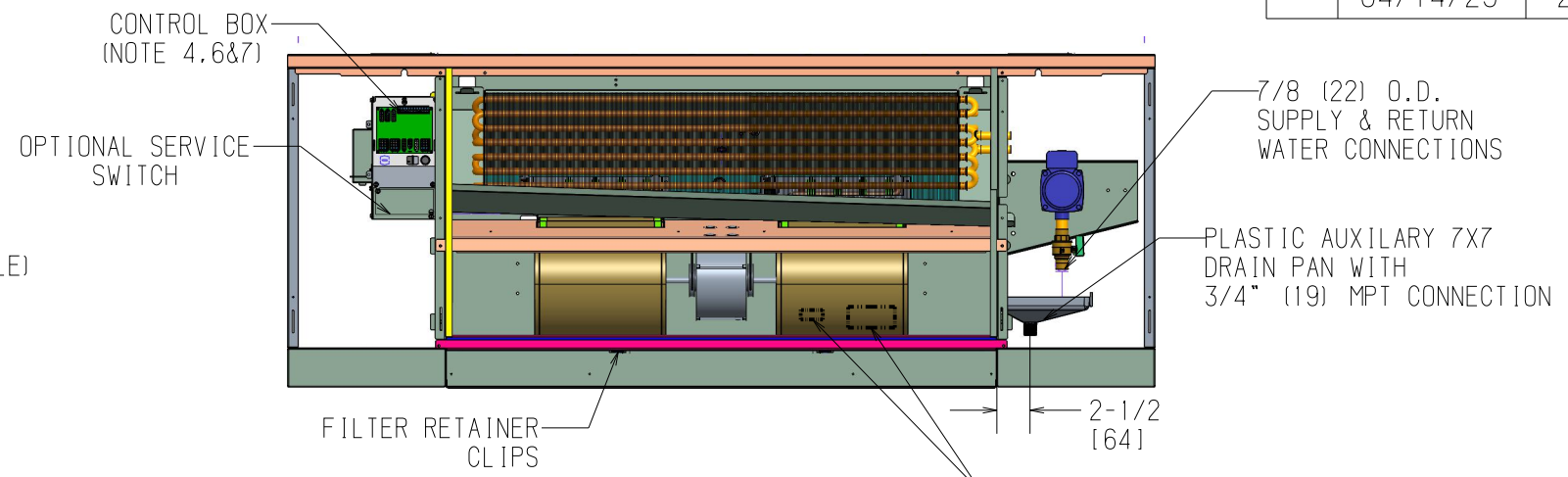
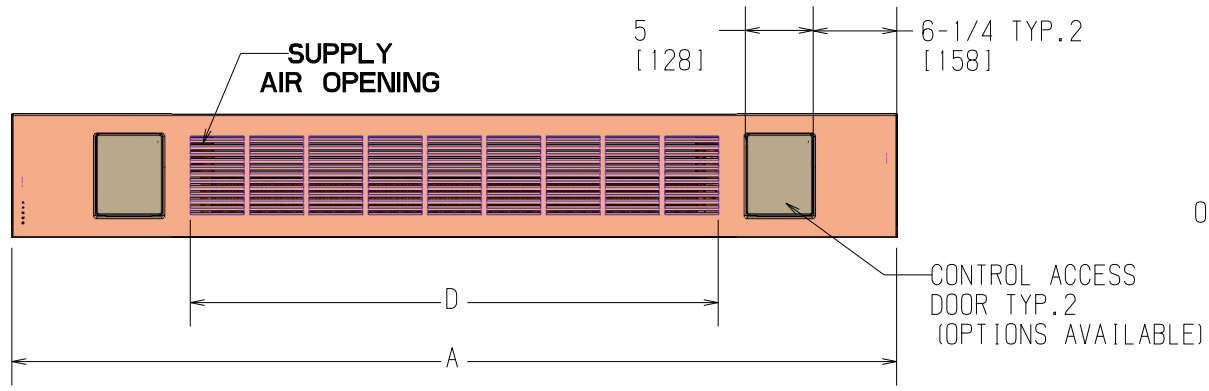


REVISION HISTORY		
REV	DATE	ECN
-	04/14/23	23-0370



- NOTES:
- 1 RH COIL WITH 2P SHOWN. LH OPPOSITE.
 - ALL DIMENSIONS ARE +/- .25 (6). DRAWING NOT TO SCALE.
 - PRODUCT SPECIFICATIONS ARE SUBJECT TO CHANGE WITHOUT NOTICE.
 - CONTROL BOX SIZE AND POSITION MAY VARY (CONSULT FACTORY)
 - POSITION MAY VARY.
 - SERVICE ACCESS IS LOCATED ON THE FRONT OF THE CONTROL BOX.
 - KNOCKOUTS ON THE BOTTOM AND SIDE OF THE CONTROL BOX FOR INCOMING POWER CONNECTIONS

Unit Model	Dimensions - Inches (Millimeters)				Quantity/Unit	
	A	B	C	D	Blower	Motor
FXF 02	46 (1168)	22 (559)	23 (584)	17-1/4 (438)	1	1
FXF 03	50 (1270)	26 (660)	27 (686)	21-1/2 (546)	1	1
FXF 04	56 (1422)	32 (813)	33 (838)	26 (660)	2	1
FXF 06	66 (1676)	42 (1067)	43 (1092)	39-1/4 (997)	2	1
FXF 08	68 (1727)	44 (1118)	45 (1143)	39-1/4 (997)	2	1
FXF 10	82 (2083)	58 (1473)	59 (1499)	52-1/2 (1334)	4	2
FXF 12	90 (2286)	66 (1676)	67 (1702)	61-1/4 (1556)	4	2

TITLE
VERT CABINET TOP SPLY FXF
WITH OPT E-HEAT SHOWN

DWG NO
1100-90053498

REV
-

DRAWN J. BRADFORD	DATE 04/14/23	APPROVED J. FUSON	DATE 04/14/23
-----------------------------	-------------------------	-----------------------------	-------------------------