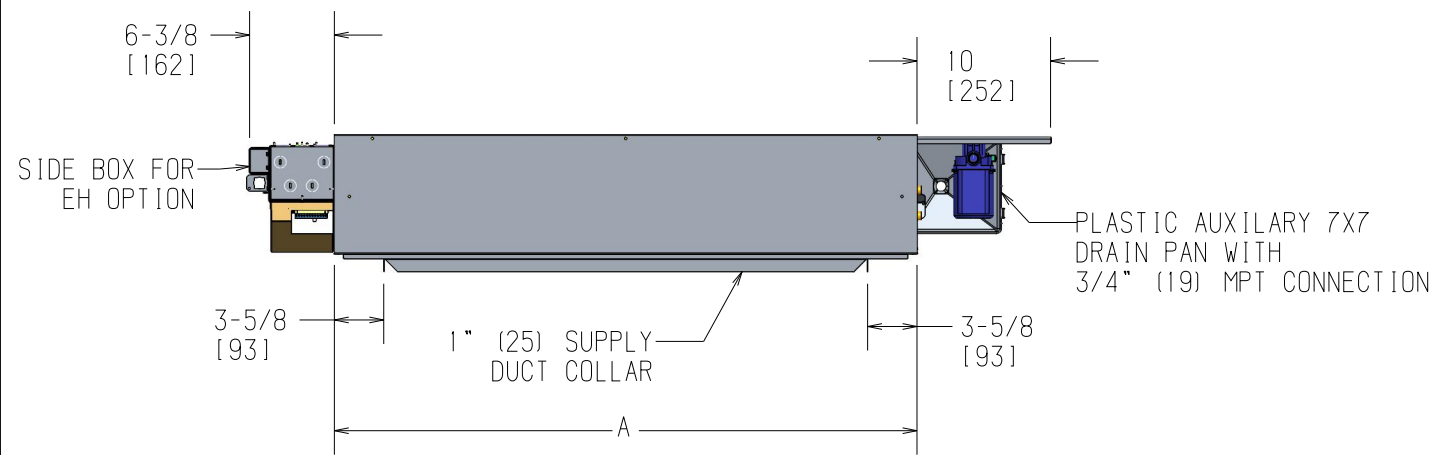
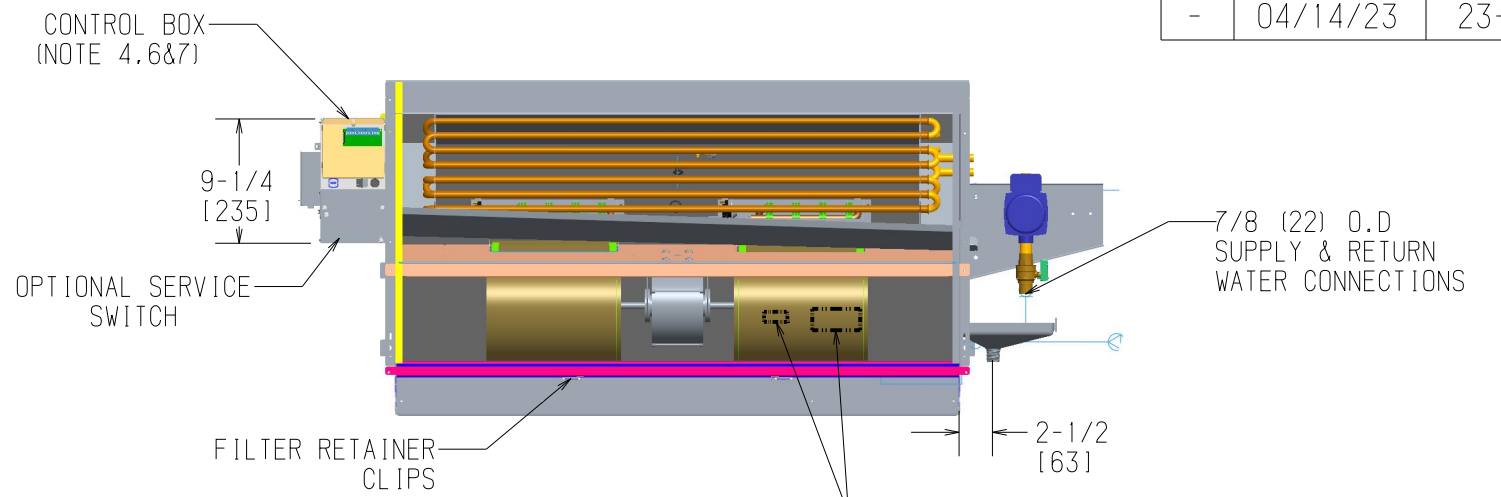


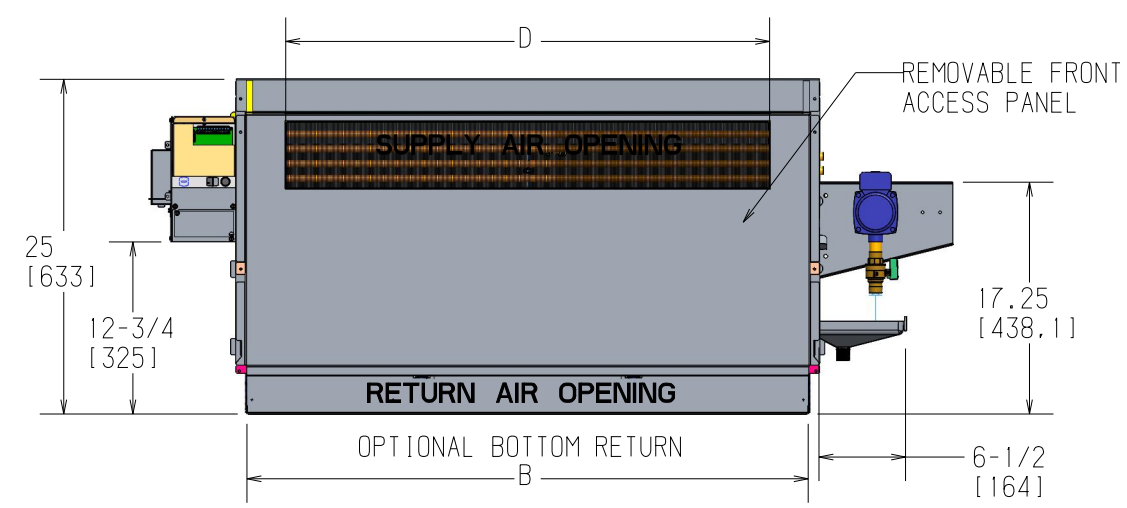
REVISION HISTORY		
REV	DATE	ECN
-	04/14/23	23-0370



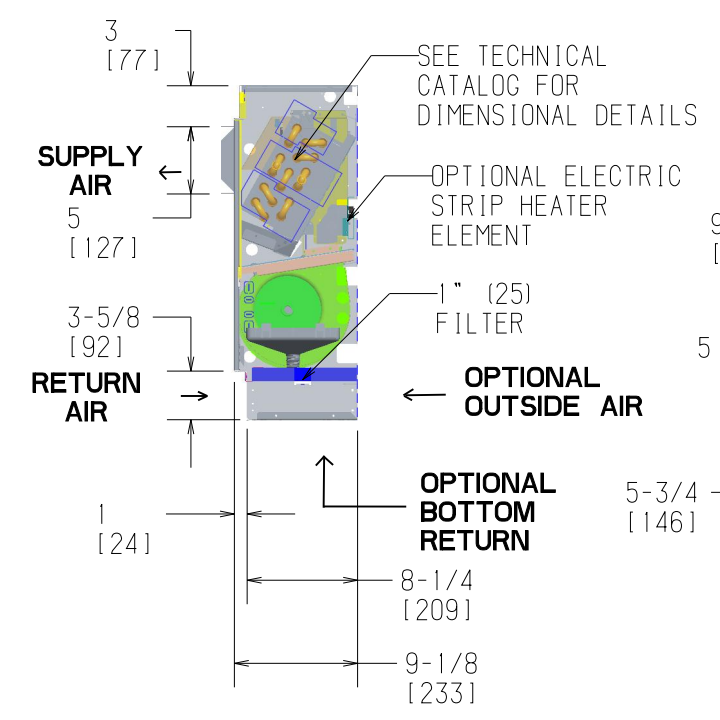
TOP VIEW



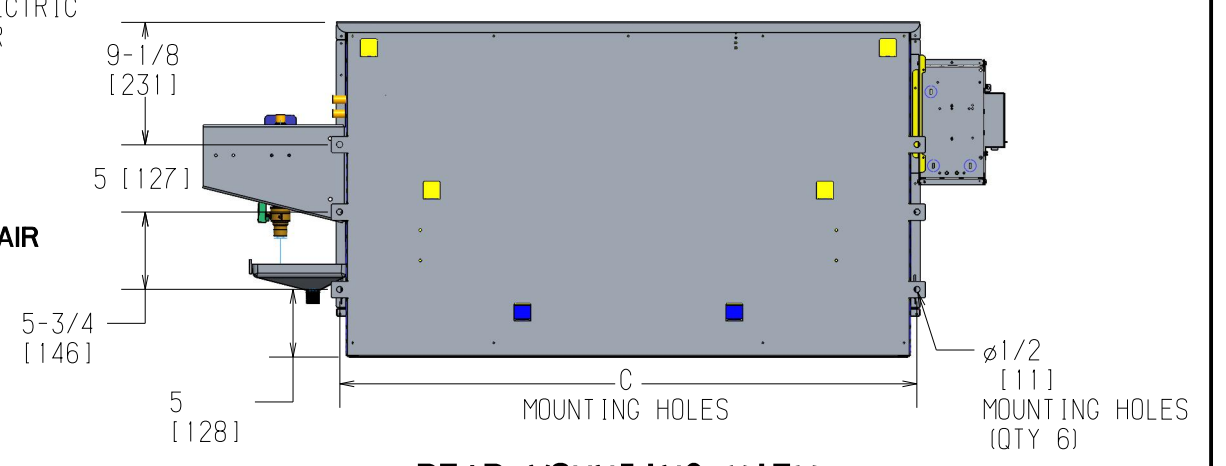
FRONT VIEW (WITHOUT ACCESS PANEL)



FRONT VIEW



RIGHT SIDE VIEW



REAR MOUNTING VIEW

- NOTES:
 1. 1 RH COIL WITH 2P SHOWN. LH OPPOSITE.
 2. ALL DIMENSIONS ARE +/- .25 (6). DRAWING NOT TO SCALE.
 3. PRODUCT SPECIFICATIONS ARE SUBJECT TO CHANGE WITHOUT NOTICE.
 4. CONTROL BOX SIZE AND POSITION MAY VARY (CONSULT FACTORY)
 5. POSITION MAY VARY.
 6. SERVICE ACCESS IS LOCATED ON THE FRONT OF THE CONTROL BOX.
 7. KNOCKOUTS ON THE BOTTOM AND SIDE OF THE CONTROL BOX FOR INCOMING POWER CONNECTIONS

Unit Model	Dimensions - Inches (Millimeters)				Quantity/Unit	
	A	B	C	D	Blower	Motor
FHF 02	23-1/2 (597)	22 (559)	23 (584)	16 (406)	1	1
FHF 03	27-1/2 (699)	26 (660)	27 (686)	20 (508)	1	1
FHF 04	33-1/2 (851)	32 (813)	33 (838)	26 (660)	2	1
FHF 06	43-1/2 (1105)	42 (1067)	43 (1092)	36 (914)	2	1
FHF 08	45-1/2 (1156)	44 (1118)	45 (1143)	38 (965)	2	1
FHF 10	59-1/2 (1511)	58 (1473)	59 (1499)	52 (1321)	4	2
FHF 12	67-1/2 (1715)	66 (1676)	67 (1702)	60 (1524)	4	2

TITLE
 VERT HIDEAWAY FRNT SPLY FHF
 WITH OPT E-HEAT SHOWN

DWG NO
1100-90053497

REV
 -

DRAWN J. BRADFORD	DATE 04/14/23	APPROVED J. FUSON	DATE 04/14/23
----------------------	------------------	----------------------	------------------