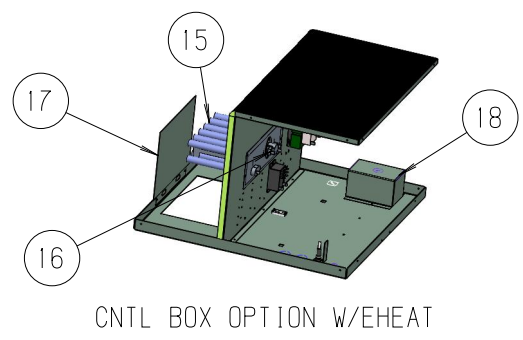
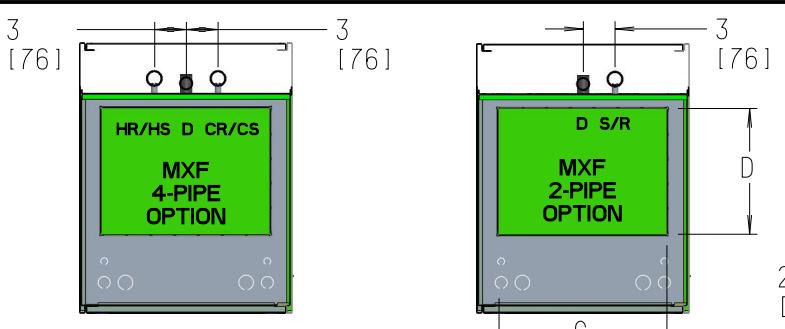
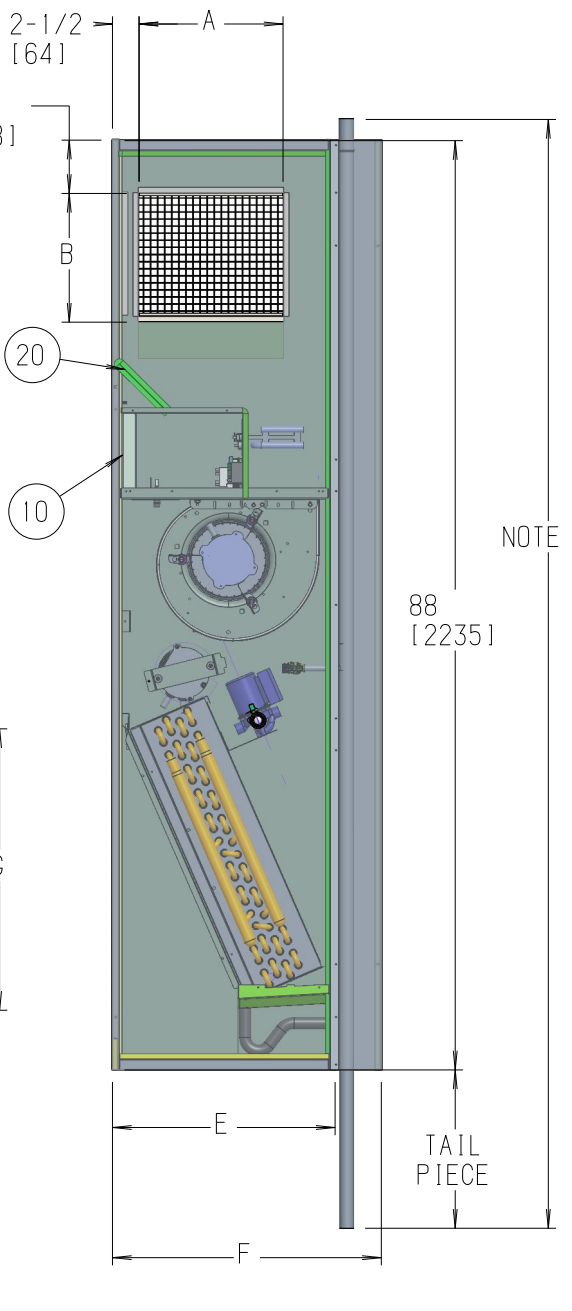


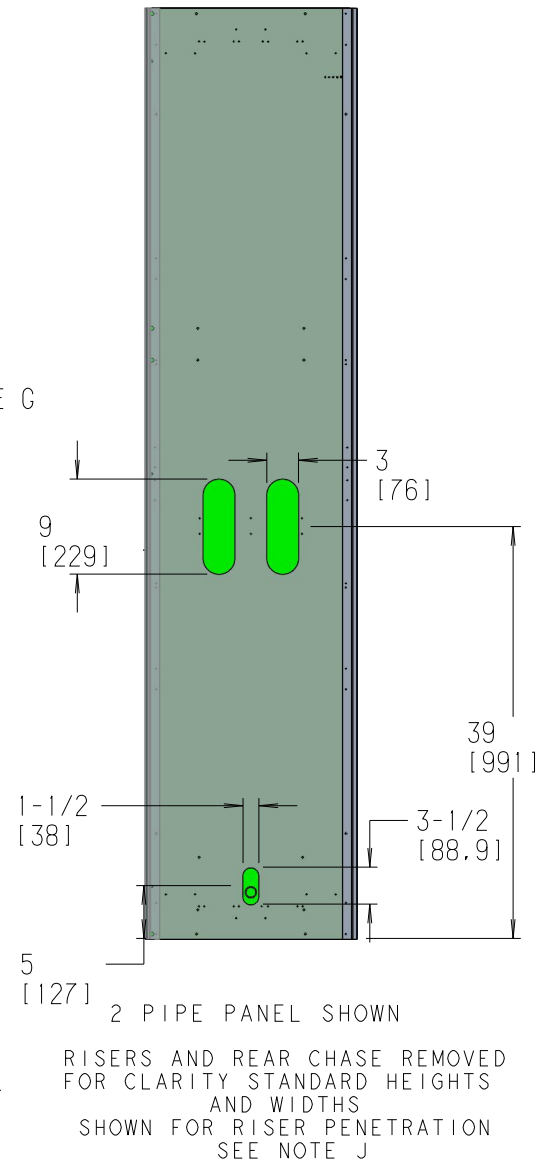
REVISION HISTORY		
REV	DATE	ECN
-	04/13/23	23-0370



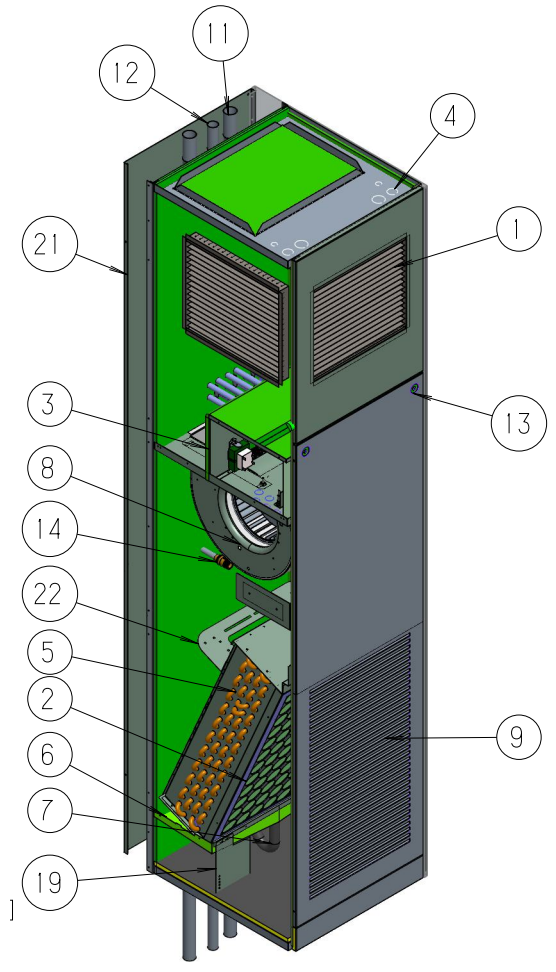
CNTL BOX OPTION W/EHEAT



NOTE C



2 PIPE PANEL SHOWN
RISERS AND REAR CHASE REMOVED FOR CLARITY STANDARD HEIGHTS AND WIDTHS SHOWN FOR RISER PENETRATION SEE NOTE J



SIDE PANEL DIMMED FOR CLARITY

ITEM	DESCRIPTION
1	D.D. STEEL GRILLE ASSY
2	FILTER, 1" (25)
3	CONTROL BOX
4	ELECTRICAL KNOCK OUTS
5	COIL 1/2" (13) O.D.
6	DOUBLE SLOPE DRAIN PAN
7	FLEX DRAIN TUBE/P-TRAP
8	MOTOR/BLOWER HOUSING
9	RETURN AIR OPENING
10	ACCESS PANEL (CONTROL BOX)
11	RISER, SUPPLY & RETURN
12	RISER, DRAIN
13	CABINET CAMLOCKS
14	1/2" (13) ISOLATION BALL VALVES
15	STRIP HEATER (OPTIONAL E HEAT)
16	HEAT LIMIT SWITCH (OPTIONAL E HEAT)
17	HEAT SHIELD (OPTIONAL E HEAT)
18	SVC SWITCH (OPTIONAL)
19	DRAIN PAN SUPPORT
20	CNTL AIR BAFF ASSY
21	RISER CHASE
22	SUREFLOW BRACKET

- NOTES:
- A. UNITS GALV STEEL WITH 16 GA FAN DECK
 - B. ALL RISERS INSULATED
 - C. THERMOSTATS SHIPPED LOOSE FOR FIELD INSTALLATION
 - D. RISERS ARE FACTORY PIPED TO COIL WITH VALVES AS SPECIFIED.
 - E. BLOWER, MOTOR, VALVES, COIL, AND FILTER ARE ACCESSIBLE THROUGH THE RETURN AIR OPENING.
 - F. UNIT AND CNTL BOX ARE INSULATED
 - G. RISER LENGTH=[(FLOOR TO FLOOR) +2" (51)]
MAX RISER LENGTH =119" (3023) CONSULT RISER SUBMITTALS FOR SPECS
 - H. MAX RISER DIAM IS 2-1/2" (64). IF LARGER DIAMETERS ARE REQUIRED, CONSULT THE FACTORY.
 - I. EXPANSION LOOPS IN HOT WATER HEATING CIRCUITS AS REQUIRED
 - J. SLOTS PROVIDED IN THE BACK PANEL FOR COIL CONNECTION TO PERMIT EXPANSION AND CONTRACTION OF RISERS. COIL CONNECTIONS TO BE AT THE CENTER OF THE SLOTS.
 - K. SEE UNIT ARRANGEMENTS FOR SUPPLY AND RETURN AIR ORIENTATION.
 - L. DIMENSIONS ARE IN INCHES, DIMS IN () ARE IN MM

Unit Model	Dimensions - Inches (Millimeters)													
	SIDE/FRONT SUPPLY			DOUBLE SUPPLY			TOP SUPPLY SINGLE			DIMENSIONS				FILTER SIZE
	A	B	SIZE	A	B	SIZE	C	D	SIZE	E	F	G	H	
MXF 03	14 (356)	8 (203)	14X8	14 (356)	6 (152)	14X6	14 (356)	10 (254)	14X10	17 (432)	22-1/8 (375)	22-1/8 (562)	14-3/4 (375)	12-1/2 X 24-1/4 X 1 (318 X 616 X 25)
MXF 04	14 (356)	12 (305)	14X12	14 (356)	8 (203)	14X8	14 (356)	10 (254)	14X10	17 (432)	22-1/8 (375)	22-1/8 (562)	14-3/4 (375)	12-1/2 X 24-1/4 X 1 (318 X 616 X 25)
MXF 06	14 (356)	12 (305)	14X12	14 (356)	8 (203)	14X8	16 (406)	12 (305)	16X12	20 (508)	26-5/8 (676)	26-5/8 (676)	17-3/4 (451)	16-1/4 X 26-3/4 X 1 (413 X 679 X 25)
MXF 08	14 (356)	16 (406)	14X16	14 (356)	10 (254)	14X10	16 (406)	12 (305)	16X12	20 (508)	26-5/8 (676)	26-5/8 (676)	17-3/4 (451)	16-1/4 X 26-3/4 X 1 (413 X 679 X 25)
MXF 10	18 (457)	16 (406)	18X16	14 (356)	12 (305)	14X12	18 (457)	16 (406)	18X16	24 (610)	31-1/8 (791)	31-1/8 (791)	17-3/4 (451)	20-1/2 X 29-1/4 X 1 (521 X 743 X 25)
MXF 12	18 (457)	16 (406)	18X16	14 (356)	12 (305)	14X12	18 (457)	16 (406)	18X16	24 (610)	31-1/8 (791)	31-1/8 (791)	17-3/4 (451)	20-1/2 X 29-1/4 X 1 (521 X 743 X 25)

TITLE MXF MODULAR HIGH RISE EXPOSED UNIT
SUREFLOW WITH OPT E-HEAT SHOWN

DWG NO **1100-90053815** **REV**
-

DRAWN J. BRADFORD	DATE 04/13/23	APPROVED J. FUSON	DATE 04/13/23
-----------------------------	-------------------------	-----------------------------	-------------------------