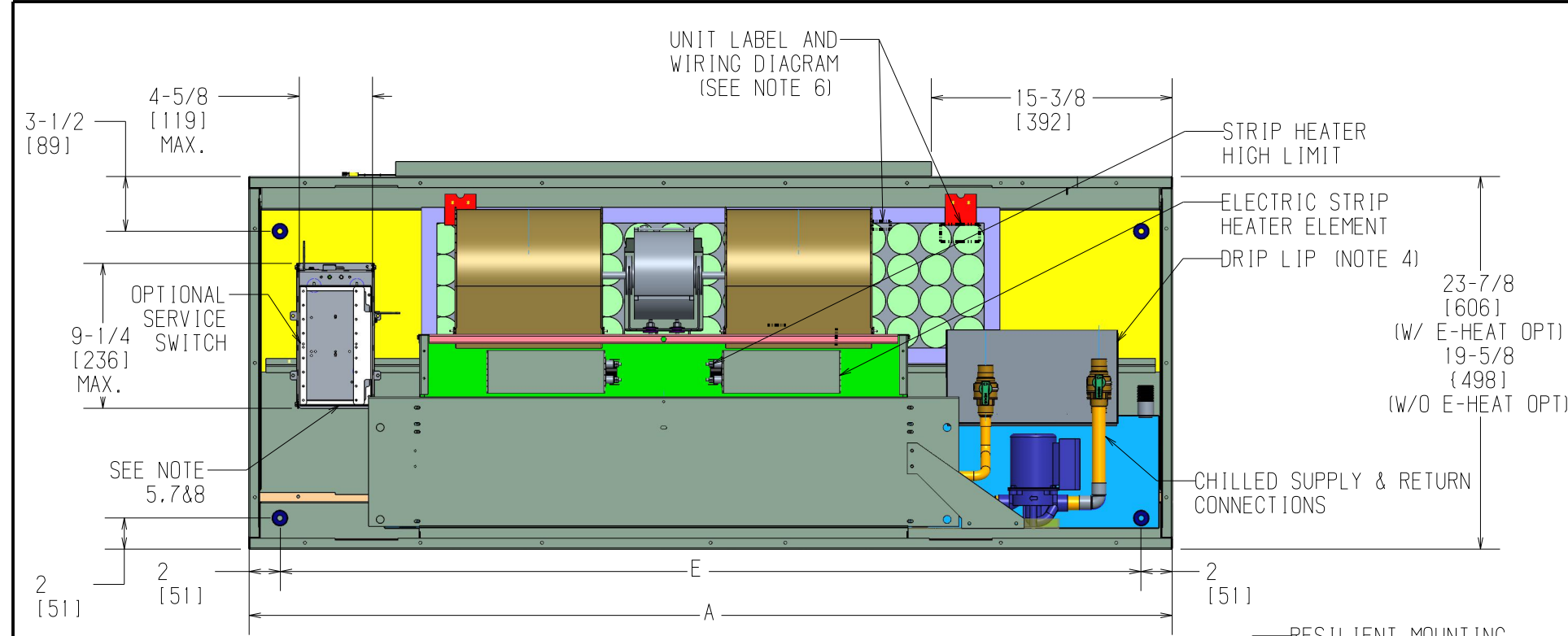
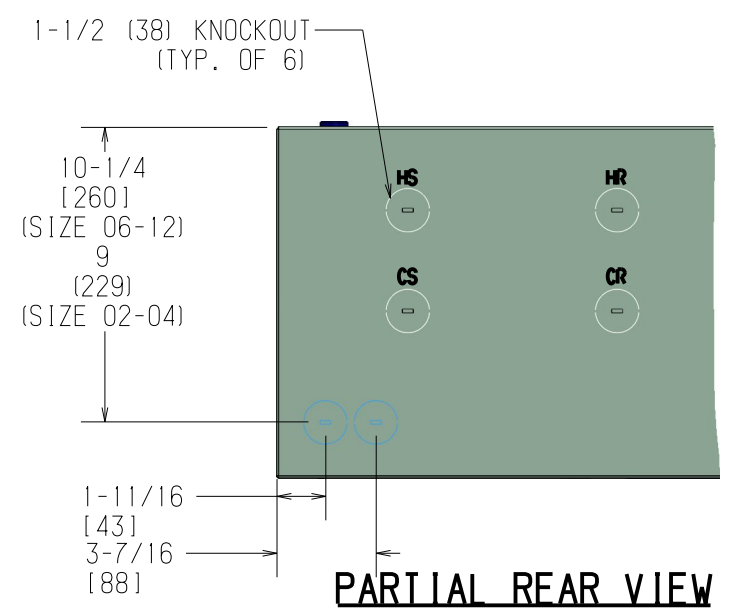


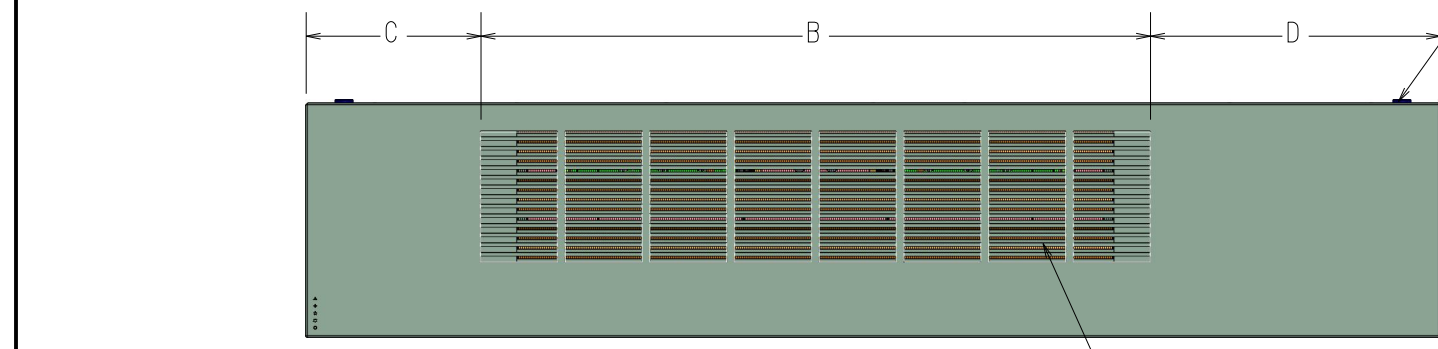
REVISION HISTORY		
REV	DATE	ECN
-	04/14/23	23-0370



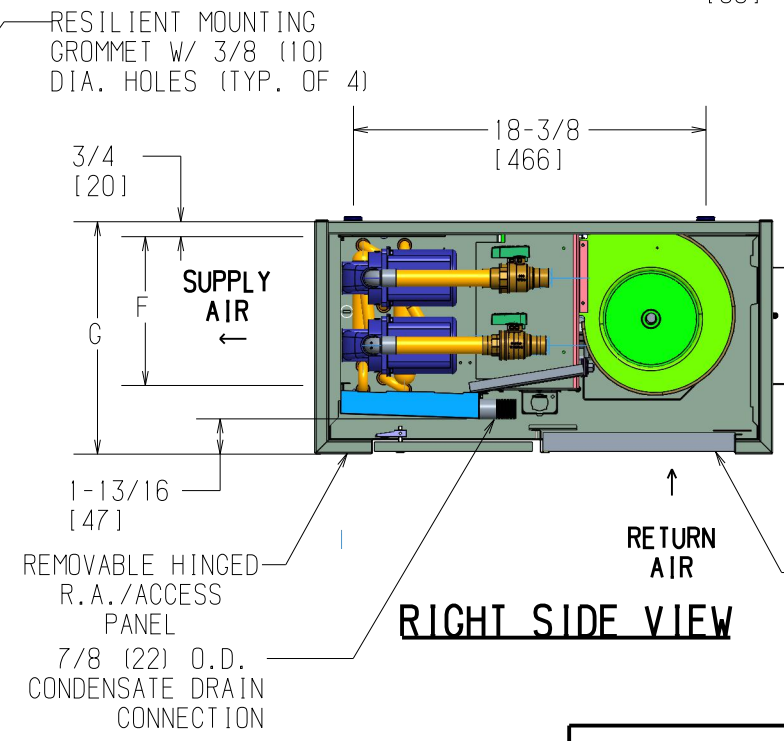
TOP VIEW



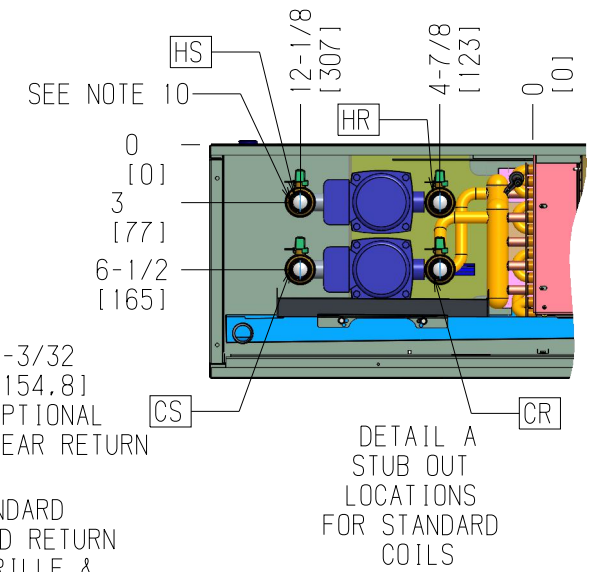
PARTIAL REAR VIEW



FRONT VIEW



RIGHT SIDE VIEW



**DETAIL A
STUB OUT
LOCATIONS
FOR STANDARD
COILS**

- NOTES:
1. RH SHOWN. LH OPPOSITE.
 2. ALL DIMENSIONS ARE +/- .25 (6). DRAWING NOT TO SCALE.
 3. PRODUCT SPECIFICATIONS ARE SUBJECT TO CHANGE WITHOUT NOTICE.
 4. DRIP LIP REQUIRED WHEN VALVE PKG IS ORDERED.
 5. CONTROL BOX SIZE AND POSITION MAY VARY (CONSULT FACTORY)
 6. POSITION MAY VARY.
 7. SERVICE ACCESS IS LOCATED ON THE FRONT OF THE CONTROL BOX.
 8. KNOCKOUTS ON THE BOTTOM AND SIDE OF THE CONTROL BOX FOR INCOMING POWER CONNECTIONS
 9. TYPICAL SIZE 06 UNIT SHOWN WITH 1-MOTOR AND 2-BLWR - REFER TO TABLE FOR VARIATION.
 10. UPPER SUREFLOW PUMP AND VALVES ON 4-PIPE OPTION ONLY
 11. FIELD CONNECTION PIPES WILL BE SHIPPED LOOSE WITH VALVE PACKAGES.

Unit Model	Dimensions - Inches (Millimeters)							Quantity/Unit	
	A	B	C	D	E	F	G	BLWR	MOTOR
CXF 02	44 (1118)	17-1/8 (435)	10-7/16 (265)	16-7/16 (418)	40 (1016)	5-3/4 (146)	11 (279)	1	1
CXF 03	48 (1219)	21-1/2 (546)	10-1/4 (260)	16-1/4 (413)	44 (1118)	5-3/4 (146)	11 (279)	1	1
CXF 04	54 (1372)	25-7/8 (657)	11-1/16 (281)	17-1/16 (433)	50 (1270)	5-3/4 (146)	11 (279)	2	1
CXF 06	59 (1499)	34-5/8 (879)	9-3/16 (233)	15-3/16 (386)	54 (1372)	6-3/4 (171)	12 (305)	2	1
CXF 08	66 (1676)	39 (991)	10-1/2 (267)	16-1/2 (419)	62 (1575)	6-3/4 (171)	12 (305)	2	1
CXF 10	80 (2032)	52-1/8 (1324)	10-15/16 (262)	16-15/16 (430)	76 (1930)	6-3/4 (171)	12 (305)	4	2
CXF 12	88 (2235)	60-7/8 (1546)	10-9/16 (268)	16-9/16 (421)	84 (2134)	6-3/4 (171)	12 (305)	4	2

TITLE CXF HORIZONTAL CABINET SUREFLOW SUREFLOW WITH OPT E-HEAT SHOWN

DWG NO **1100-90053571**

DRAWN J. BRADFORD	DATE 04/14/23	APPROVED J. FUSON	REV -
DATE 04/14/23		DATE 04/14/23	