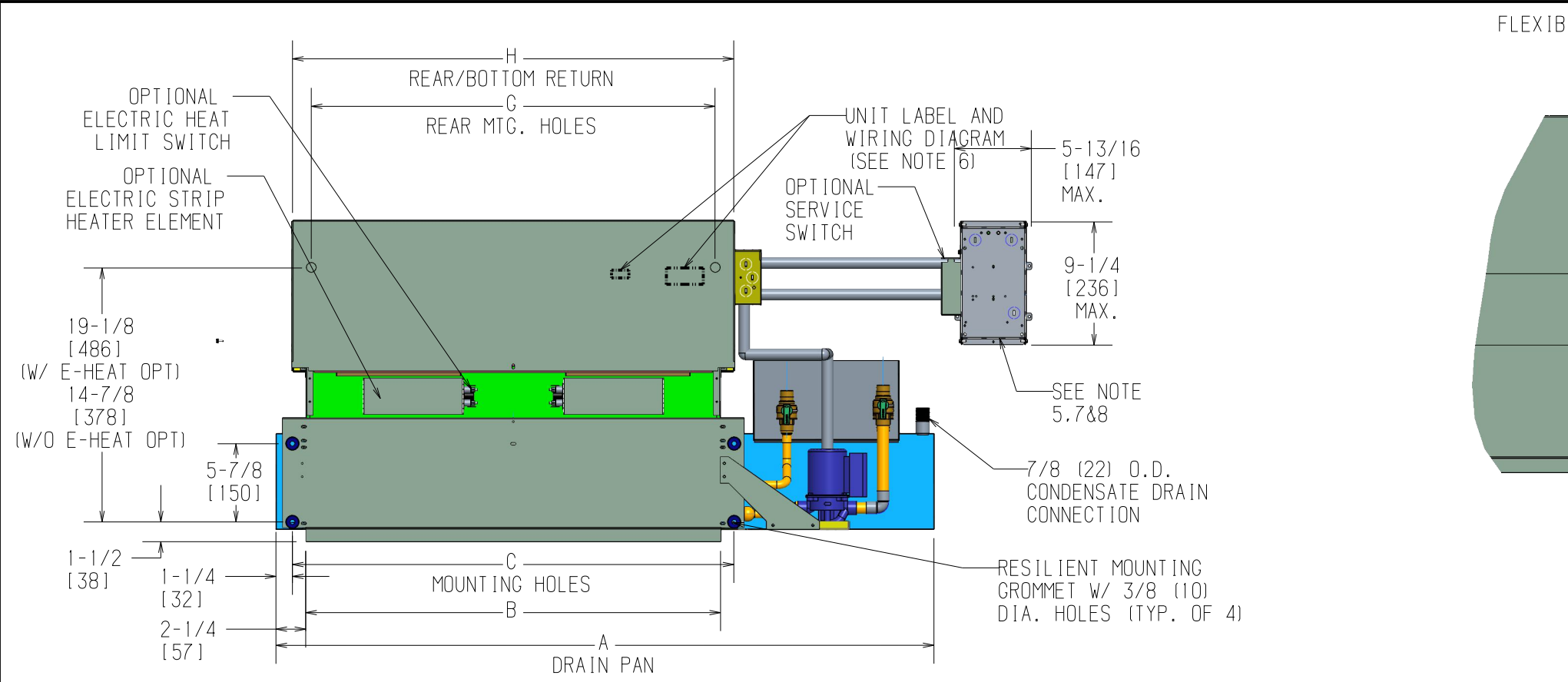
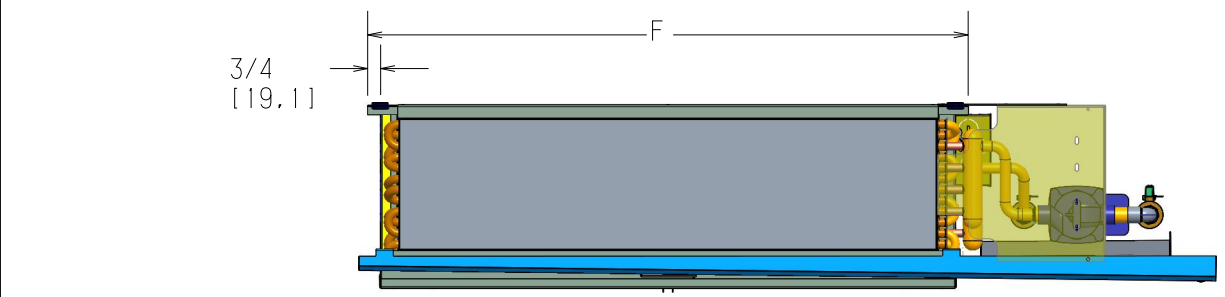


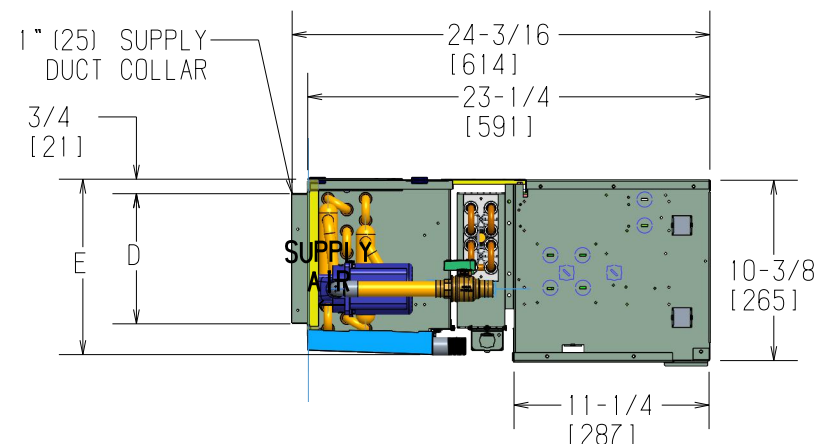
REVISION HISTORY		
REV	DATE	ECN
-	04/14/23	23-0370



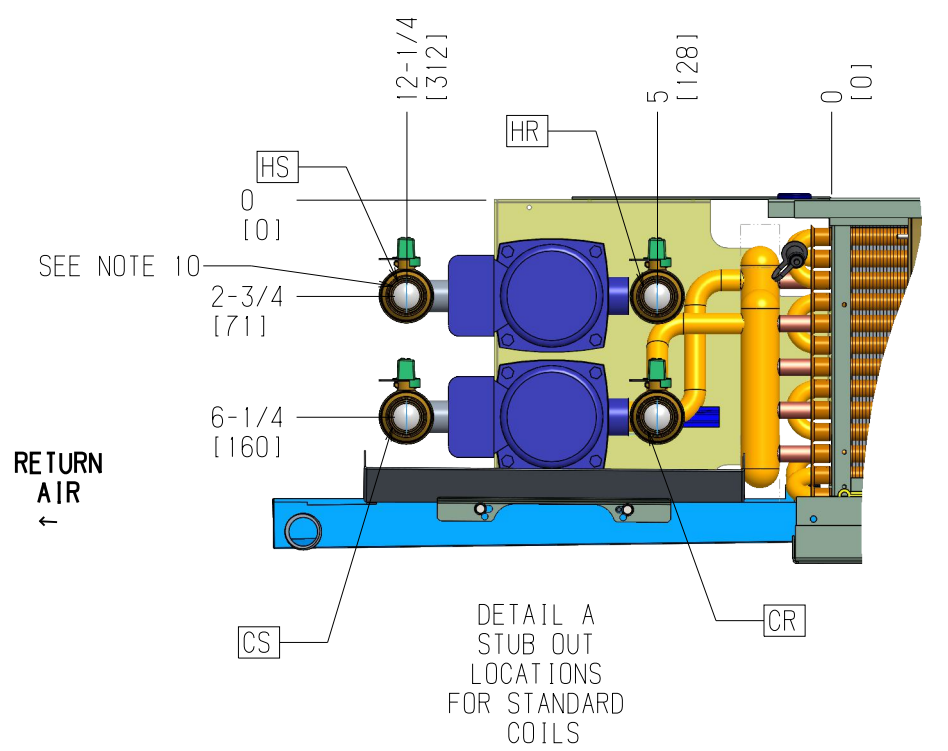
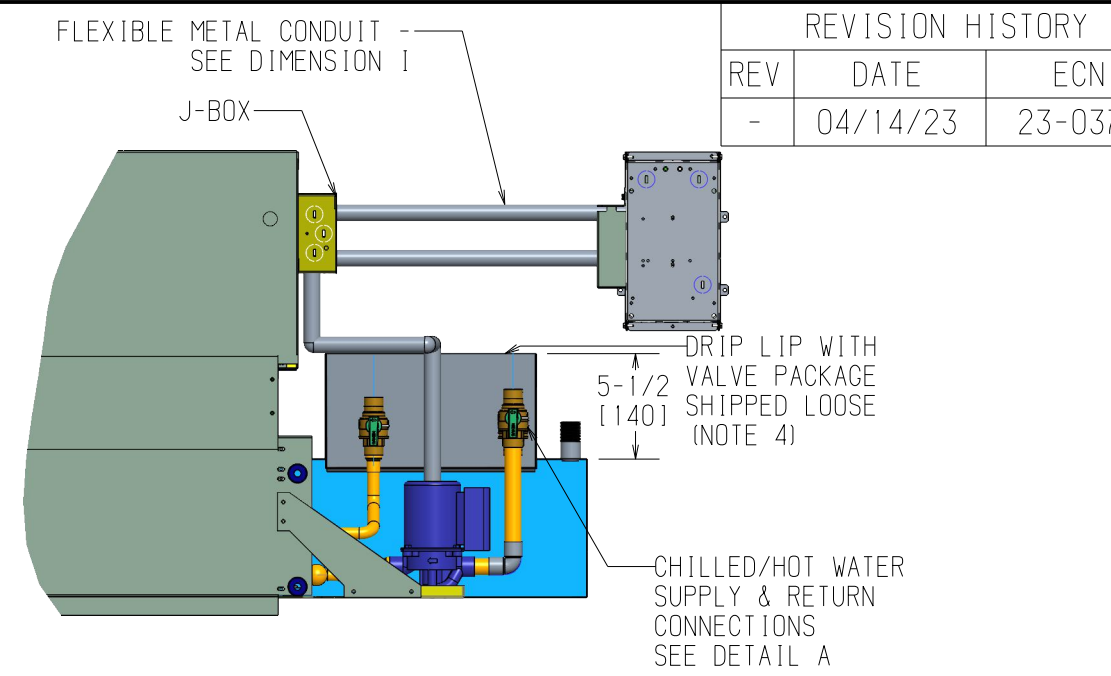
**TOP VIEW**



**FRONT VIEW**



**RIGHT SIDE VIEW**



- NOTES:
1. RH 2P SHOWN. LH OPPOSITE.
  2. ALL DIMENSIONS ARE +/- .25 (6). DRAWING NOT TO SCALE.
  3. PRODUCT SPECIFICATIONS ARE SUBJECT TO CHANGE WITHOUT NOTICE.
  4. DRIP LIP REQUIRED WHEN VALVE PKG IS ORDERED.
  5. CONTROL BOX SIZE AND POSITION MAY VARY (CONSULT FACTORY)
  6. POSITION MAY VARY.
  7. SERVICE ACCESS IS LOCATED ON THE BOTTOM OF THE CONTROL BOX.
  8. KNOCKOUTS ON THE BOTTOM AND SIDE OF THE CONTROL BOX FOR INCOMING POWER CONNECTIONS
  9. TYPICAL SIZE 06 UNIT SHOWN WITH 1-MOTOR AND 2-BLWR - REFER TO TABLE FOR VARIATION.
  10. UPPER SUREFLOW PUMP AND VALVES ON 4-PIPE OPTION ONLY

Unit Model	Dimensions - Inches (Millimeters)										Quantity/Unit	
	A	B	C	D	E	F	G	H	I	BLWR	MOTOR	
CPF 02	34-1/2 [876]	16 [406]	18-1/4 [464]	6-1/4 [159]	8-3/4 [222]	19-3/4 [502]	15-3/8 [391]	18-1/4 [464]	38 [965]	1	1	
CPF 03	38-1/2 [978]	20 [508]	22-1/4 [565]	6-1/4 [159]	8-3/4 [222]	23-3/4 [603]	19-3/8 [493]	22-1/4 [565]	38 [965]	1	1	
CPF 04	44-1/2 [1130]	26 [660]	28-1/4 [718]	6-1/4 [159]	8-3/4 [222]	29-3/4 [756]	25-3/8 [654]	28-1/4 [718]	38 [965]	2	1	
CPF 06	49-1/2 [1257]	31 [787]	33-1/4 [845]	7-1/2 [191]	10 [254]	34-3/4 [883]	30-3/8 [772]	33-1/4 [845]	38 [965]	2	1	
CPF 08	56-1/2 [1435]	38 [965]	40-1/4 [1022]	7-1/2 [191]	10 [254]	41-3/4 [1060]	37-3/8 [950]	40-1/4 [1022]	38 [965]	2	1	
CPF 10	70-1/2 [1790]	52 [1321]	54-1/4 [1378]	7-1/2 [191]	10 [254]	55-3/4 [1416]	51-3/8 [1306]	54-1/4 [1378]	38 [965]	4	2	
CPF 12	78-1/2 [1994]	60 [1524]	62-1/4 [1581]	7-1/2 [191]	10 [254]	63-3/4 [1619]	59-3/8 [1509]	62-1/4 [1581]	38 [965]	4	2	

**TITLE**  
 CPF HORIZONTAL HIDEAWAY W/PLENUM  
 SUREFLOW WITH OPT E-HEAT SHOWN

**DWG NO**  
1100-90053569

**REV**  
 -

<b>DRAWN</b> J. BRADFORD	<b>DATE</b> 04/14/23	<b>APPROVED</b> J. FUSON	<b>DATE</b> 04/14/23
-----------------------------	-------------------------	-----------------------------	-------------------------