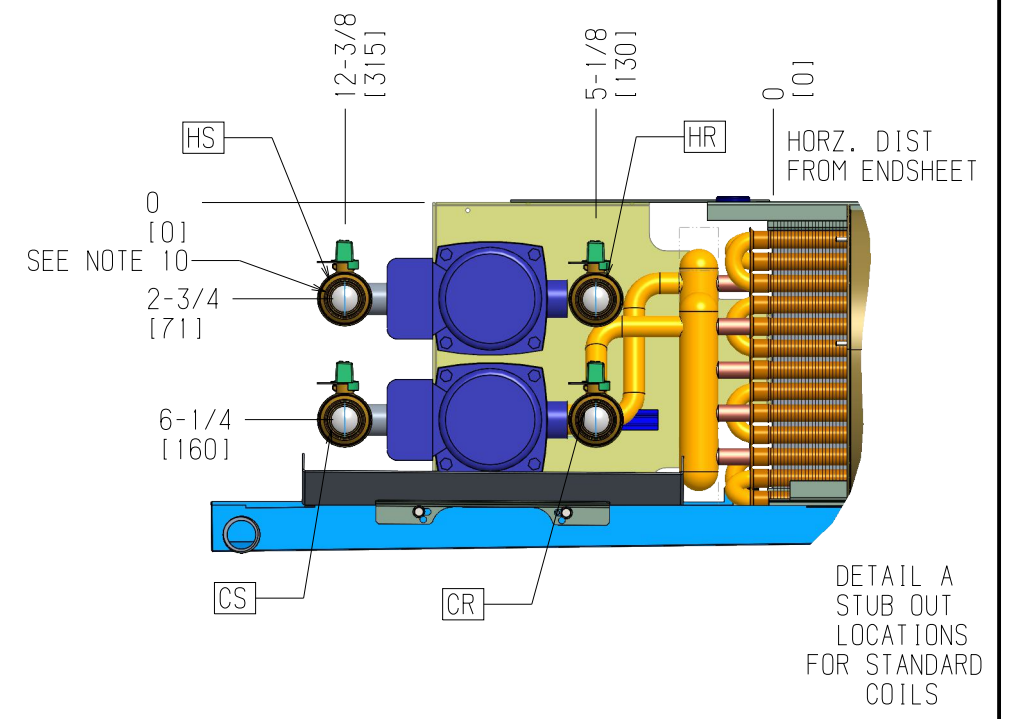
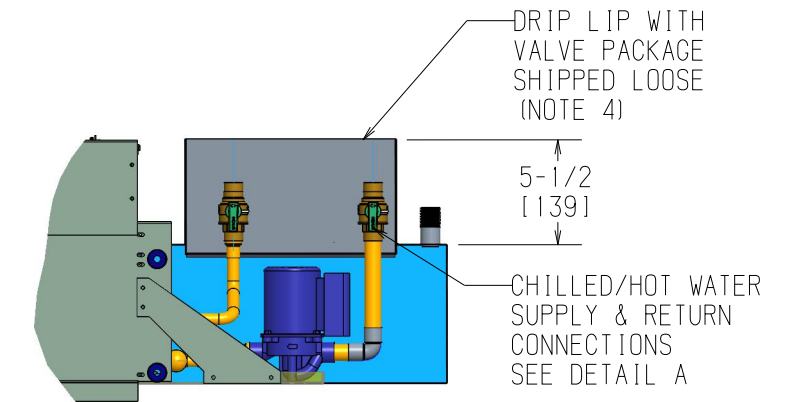
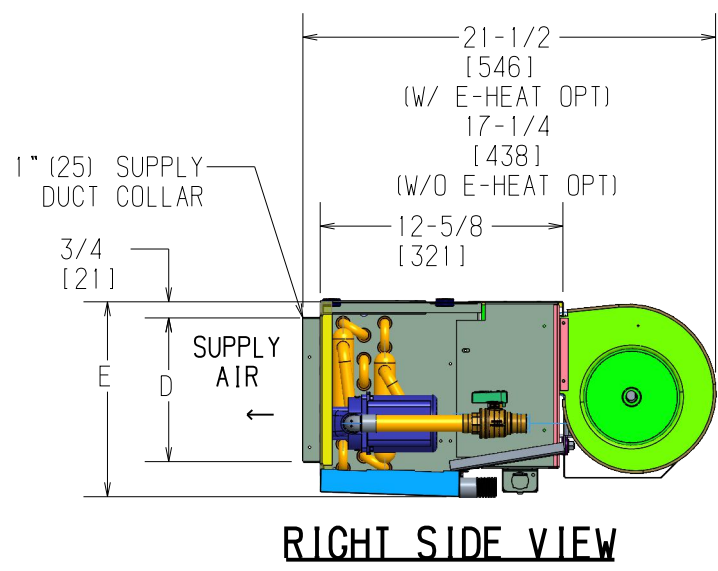
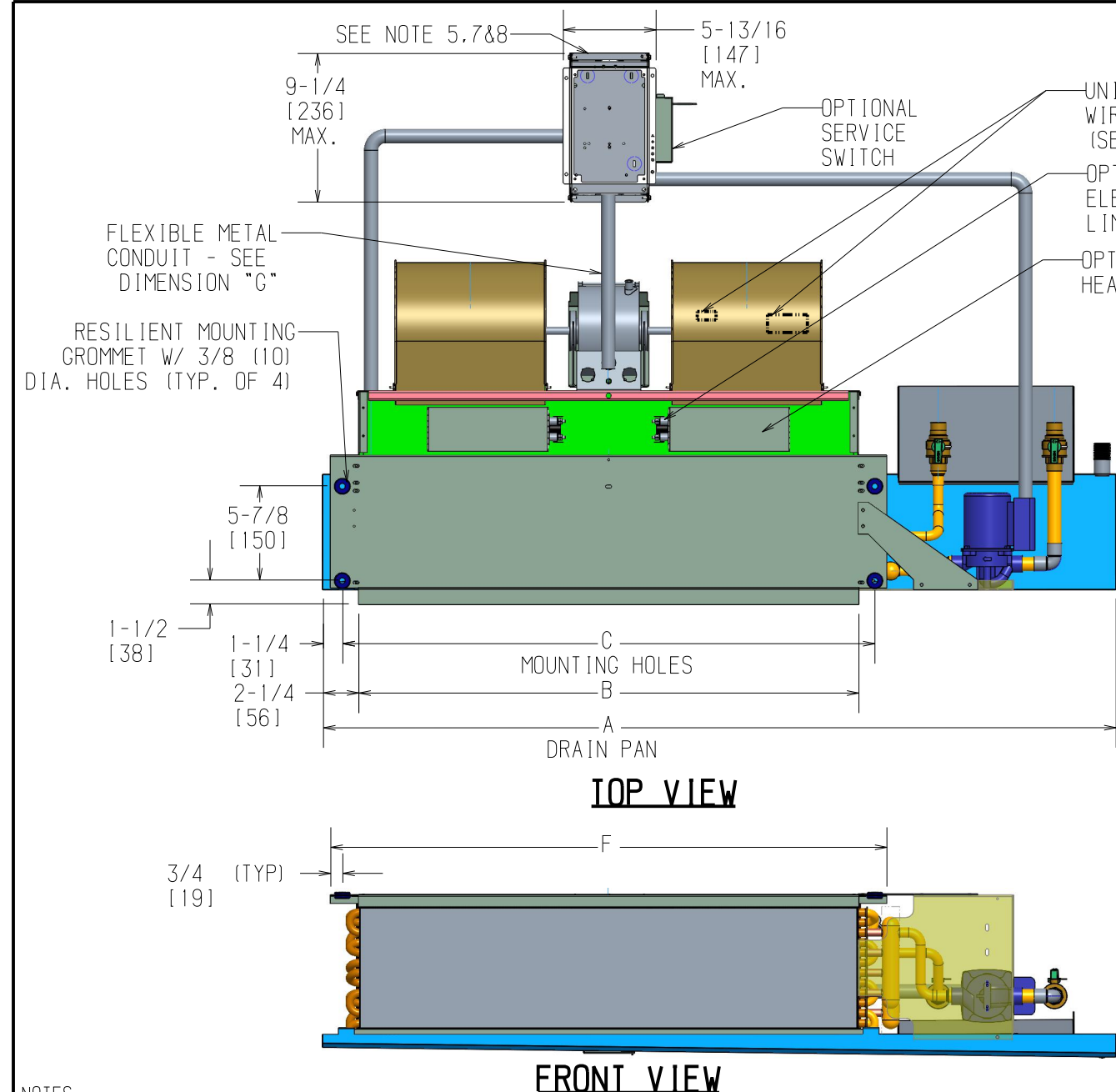


REVISION HISTORY		
REV	DATE	ECN
-	04/14/23	23-0370



- NOTES:
1. RH 2P SHOWN, LH OPPOSITE.
  2. ALL DIMENSIONS ARE +/- .25 (6). DRAWING NOT TO SCALE.
  3. PRODUCT SPECIFICATIONS ARE SUBJECT TO CHANGE WITHOUT NOTICE.
  4. DRIP LIP REQUIRED WHEN VALVE PKG IS ORDERED.
  5. CONTROL BOX SIZE AND POSITION MAY VARY (CONSULT FACTORY)
  6. POSITION MAY VARY.
  7. SERVICE ENTRANCE IS LOCATED ON THE REAR OF THE CONTROL BOX WITH KNOCKOUTS.
  8. UNITS WITHOUT SERVICE SWITCH USE THE KNOCKOUTS ON THE REAR SIDE OF THE CONTROL BOX.
  9. TYPICAL SIZE 06 UNIT SHOWN WITH 1-MOTOR AND 2-BLWR - REFER TO TABLE FOR VARIATION.
  10. UPPER SUREFLOW PUMP AND VALVES ON 4-PIPE OPTION ONLY

Unit Model	Dimensions - Inches (Millimeters)							Quantity/Unit	
	A	B	C	D	E	F	G	BLWR	MOTOR
CHF 02	34-1/2 (876)	16 (406)	18-1/4 (464)	6-1/4 (159)	8-3/4 (222)	19-3/4 (502)	38 (965)	1	1
CHF 03	38-1/2 (978)	20 (508)	22-1/4 (565)	6-1/4 (159)	8-3/4 (222)	23-3/4 (603)	38 (965)	1	1
CHF 04	44-1/2 (1130)	26 (660)	28-1/4 (718)	6-1/4 (159)	8-3/4 (222)	29-3/4 (756)	38 (965)	2	1
CHF 06	49-1/2 (1257)	31 (787)	33-1/4 (845)	7-1/2 (191)	10 (254)	34-3/4 (883)	38 (965)	2	1
CHF 08	56-1/2 (1435)	38 (965)	40-1/4 (1022)	7-1/2 (191)	10 (254)	41-3/4 (1060)	38 (965)	2	1
CHF 10	70-1/2 (1790)	52 (1321)	54-1/4 (1378)	7-1/2 (191)	10 (254)	55-3/4 (1416)	38 (965)	4	2
CHF 12	78-1/2 (1994)	60 (1524)	62-1/4 (1581)	7-1/2 (191)	10 (254)	63-3/4 (1619)	38 (965)	4	2

**TITLE** CHF HORIZONTAL HIDEAWAY W/ELEC HEAT SUREFLOW WITH OPT E-HEAT SHOWN

**DWG NO** 1100-90053568 **REV** -

<b>DRAWN</b> J. BRADFORD	<b>DATE</b> 04/14/23	<b>APPROVED</b> J. FUSON	<b>DATE</b> 04/14/23
--------------------------	----------------------	--------------------------	----------------------