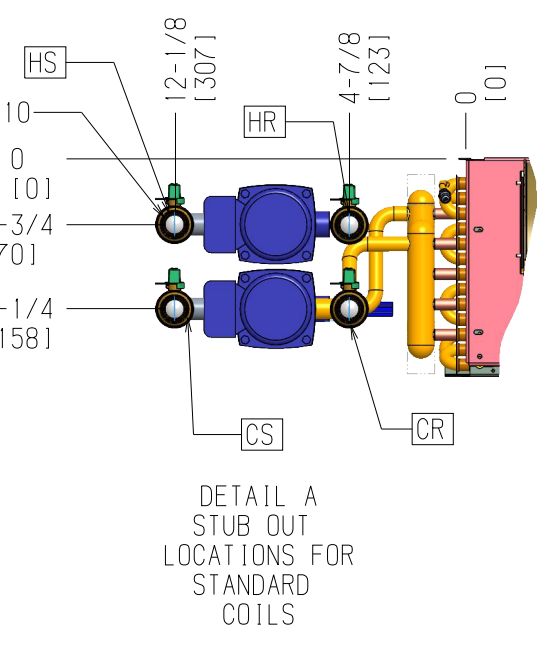
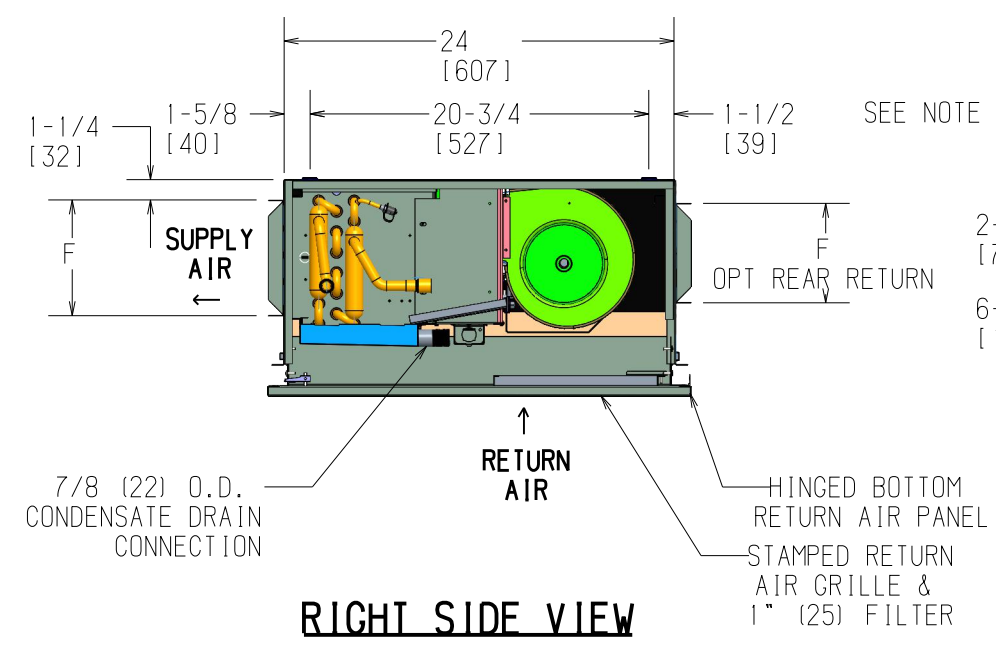
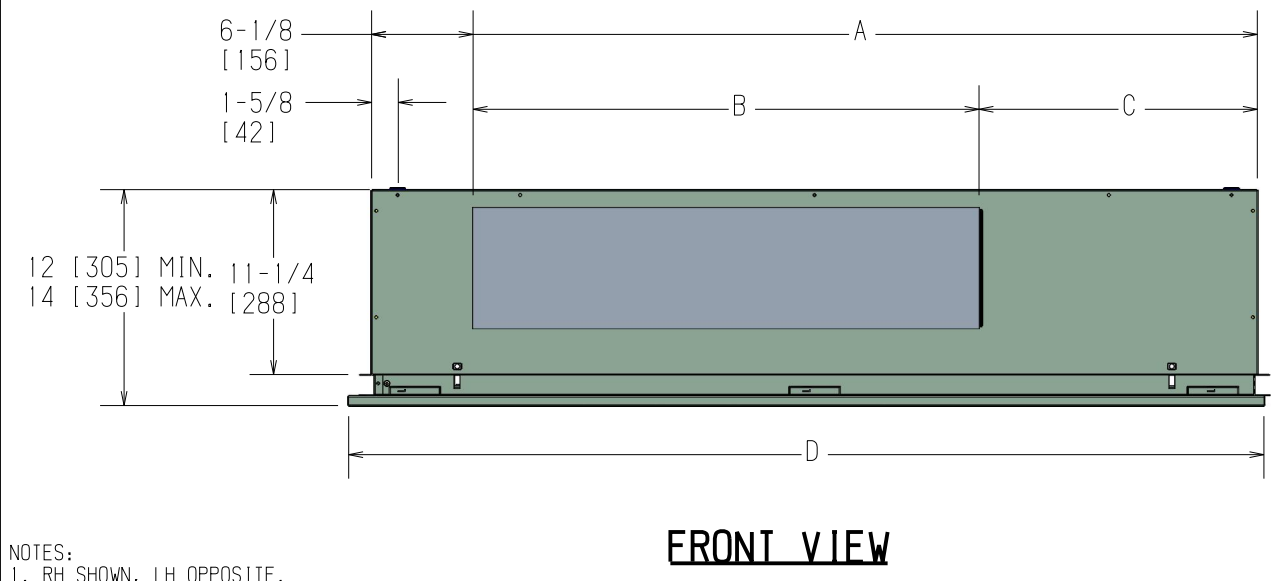
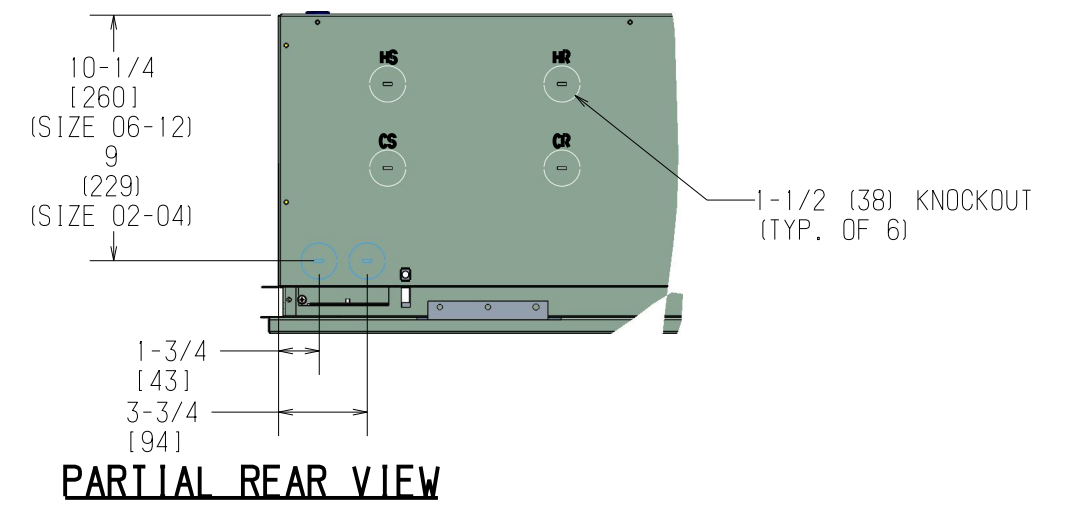
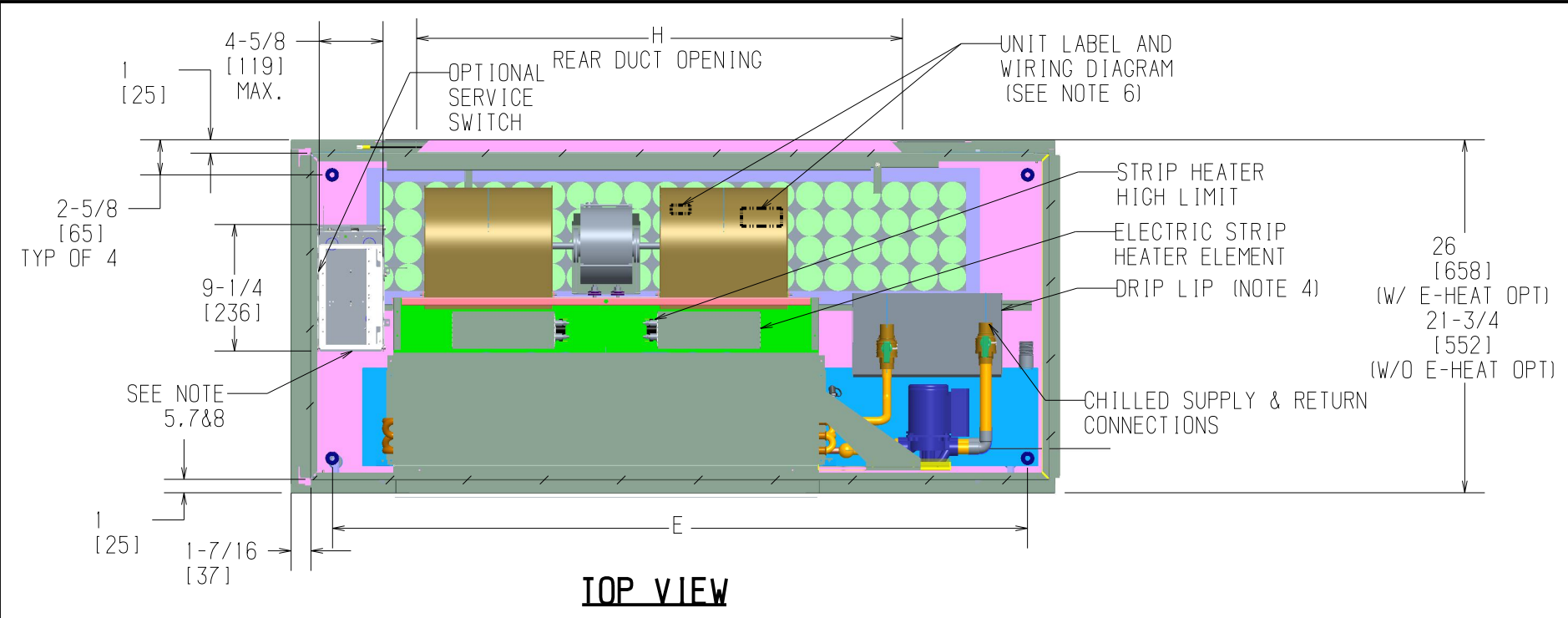


REVISION HISTORY		
REV	DATE	ECN
-	04/14/23	23-0370



- NOTES:
1. RH SHOWN, LH OPPOSITE.
 2. ALL DIMENSIONS ARE +/- .25 (6). DRAWING NOT TO SCALE.
 3. PRODUCT SPECIFICATIONS ARE SUBJECT TO CHANGE WITHOUT NOTICE.
 4. DRIP LIP REQUIRED WHEN VALVE PKG IS ORDERED.
 5. CONTROL BOX SIZE AND POSITION MAY VARY (CONSULT FACTORY)
 6. POSITION MAY VARY.
 7. SERVICE ACCESS IS LOCATED ON THE FRONT OF THE CONTROL BOX.
 8. KNOCKOUTS ON THE BOTTOM AND SIDE OF THE CONTROL BOX FOR INCOMING POWER CONNECTIONS
 9. TYPICAL SIZE 06 UNIT SHOWN WITH 1-MOTOR AND 2-BLWR - REFER TO TABLE FOR VARIATION.
 10. UPPER SUREFLOW PUMP AND VALVES ON 4-PIPE OPTION ONLY
 11. FIELD CONNECTION PIPES WILL BE SHIPPED LOOSE WITH VALVE PACKAGES.

Unit Model	Dimensions - Inches (Millimeters)							Quantity/Unit	
	A	B	C	D	E	F	H	BLWR	MOTOR
CBF 02	39 (991)	16 (406)	16-3/4 (425)	41 (1041)	36 (914)	6 (152)	18-3/4 (476)	1	1
CBF 03	43 (1092)	20 (508)	16-3/4 (425)	45 (1143)	40 (1016)	6 (152)	18-3/4 (476)	1	1
CBF 04	49 (1245)	26 (660)	16-3/4 (425)	51 (1295)	46 (1168)	6 (152)	24-3/4 (629)	2	1
CBF 06	54 (1372)	31 (787)	16-3/4 (425)	56 (1422)	51 (1295)	7 (179)	35-3/4 (908)	2	1
CBF 08	61 (1549)	38 (965)	16-3/4 (425)	63 (1600)	58 (1473)	7 (179)	35-3/4 (908)	2	1
CBF 10	75 (1905)	52 (1321)	16-3/4 (425)	77 (1956)	72 (1829)	7 (179)	49-3/4 (1264)	4	2
CBF 12	83 (2108)	60 (1524)	16-3/4 (425)	85 (2159)	80 (2032)	7 (179)	49-3/4 (1264)	4	2

TITLE: CBF HORIZONTAL TELESCOPING HIDEAWAY SUREFLOW WITH OPT E-HEAT SHOWN

DWG NO: **1100-90053570**

DRAWN: J. BRADFORD	DATE: 04/14/23	APPROVED: J. FUSON	DATE: 04/14/23
--------------------	----------------	--------------------	----------------