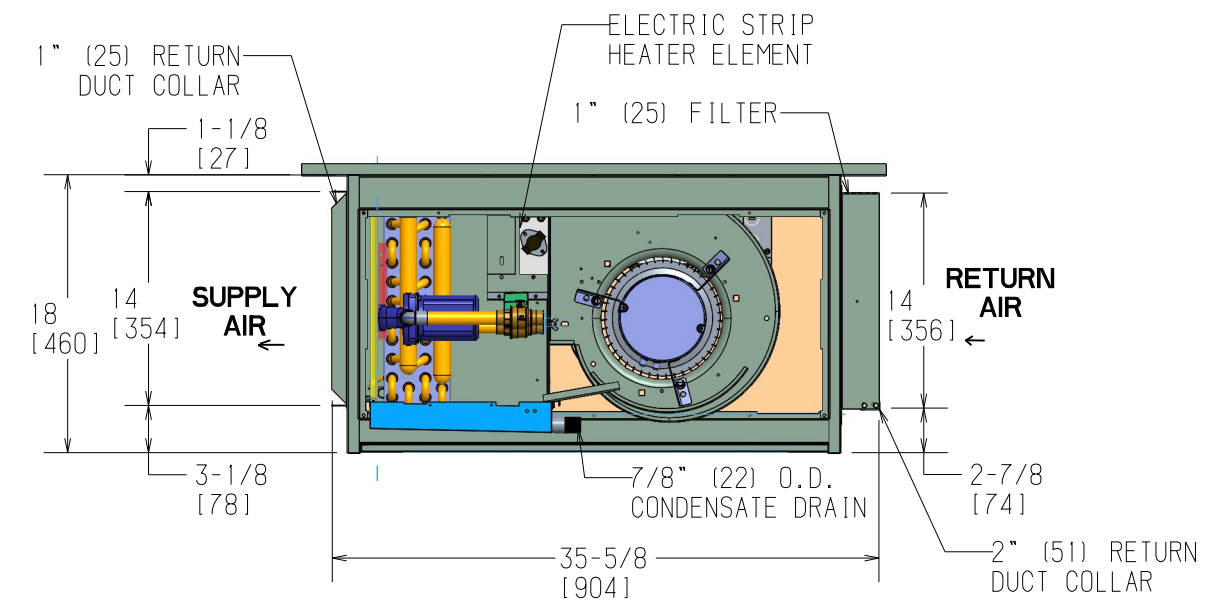
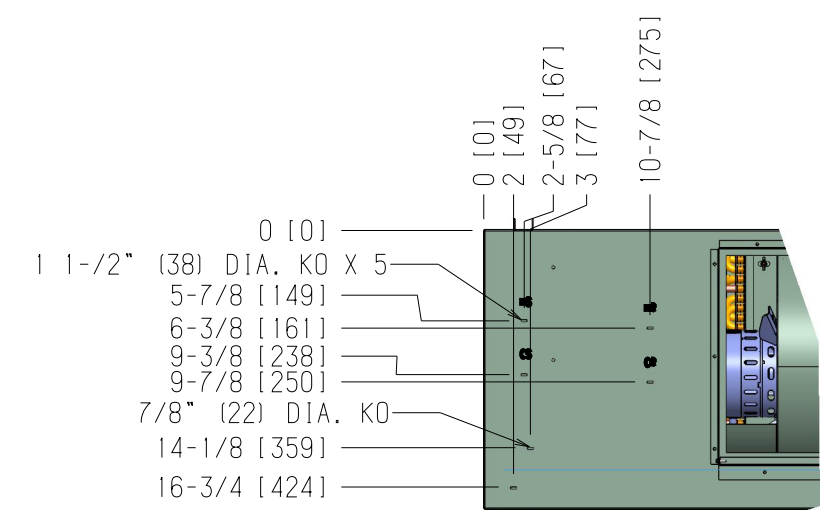
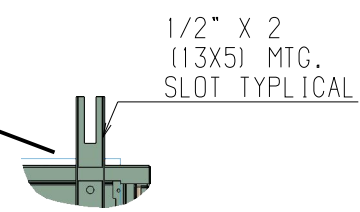
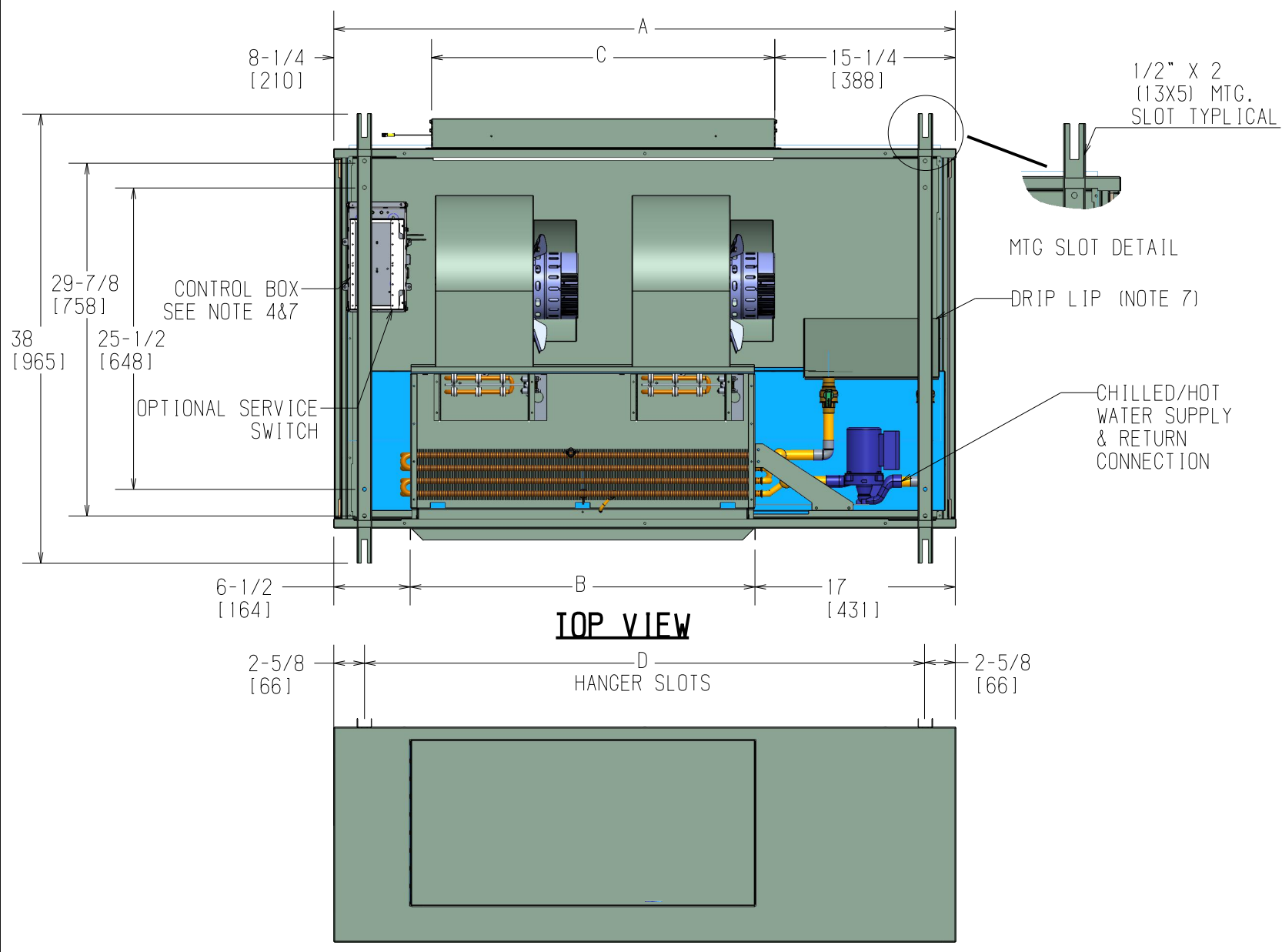


REVISION HISTORY		
REV	DATE	ECN
-	04/14/23	23-0370



- NOTES:
1. RH COIL SHOWN. LH OPPOSITE.
 2. ALL DIMENSIONS ARE +/- .25 (6). DRAWING NOT TO SCALE.
 3. PRODUCT SPECIFICATIONS ARE SUBJECT TO CHANGE WITHOUT NOTICE.
 4. CONTROL BOX SIZE AND POSITION MAY VARY (CONSULT FACTORY)
 5. SERVICE ACCESS IS LOCATED ON THE FRONT OF THE CONTROL BOX.
 6. KNOCKOUTS ON THE BOTTOM AND SIDE OF THE CONTROL BOX FOR INCOMING POWER CONNECTIONS
 7. DRIP LIP REQUIRED WHEN VLVE PKG IS ORDERED.

Unit Model	Dimensions - Inches (Millimeters)				Quantity/Unit	
	A	B	C	D	Blower	Motor
42DE 06	38-1/2 (978)	15 (381)	15 (381)	33-1/4 (845)	1	1
42DE 08	43-1/2 (1105)	20 (508)	20 (508)	38-1/4 (972)	1	1
42DE 10	47-1/2 (1207)	24 (610)	24 (610)	42-1/4 (1073)	1	1
42DE 12	52-1/2 (1334)	29 (737)	29 (737)	47-1/4 (1200)	2	2
42DE 14	57-1/2 (1461)	34 (864)	34 (864)	52-1/4 (1327)	2	2
42DE 16	62-1/2 (1588)	39 (991)	39 (991)	57-1/4 (1454)	2	2
42DE 18	67-1/2 (1715)	44 (1118)	44 (1118)	62-1/4 (1581)	2	2
42DE 20	71-1/2 (1816)	48 (1219)	48 (1219)	66-1/4 (1683)	2	2

TITLE HXF HIGH PERFORMANCE HORIZONTAL SUREFLOW WITH OPT E-HEAT SHOWN

DWG NO 1100-90053714 **REV** -

DRAWN J. BRADFORD	DATE 04/14/23	APPROVED J. FUSON	DATE 04/14/23
--------------------------	----------------------	--------------------------	----------------------