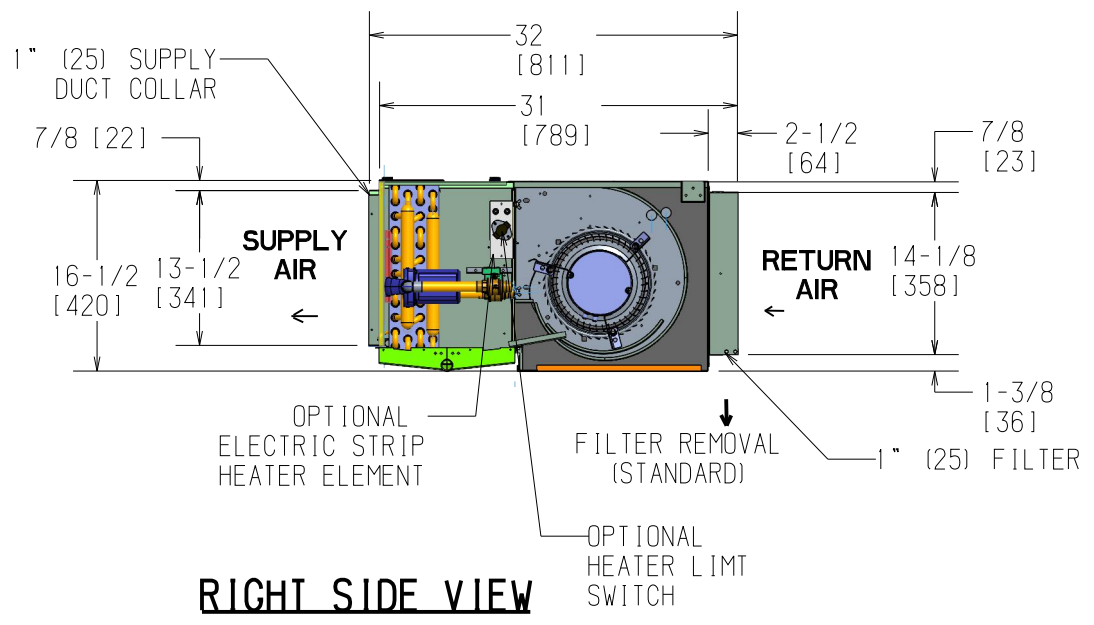
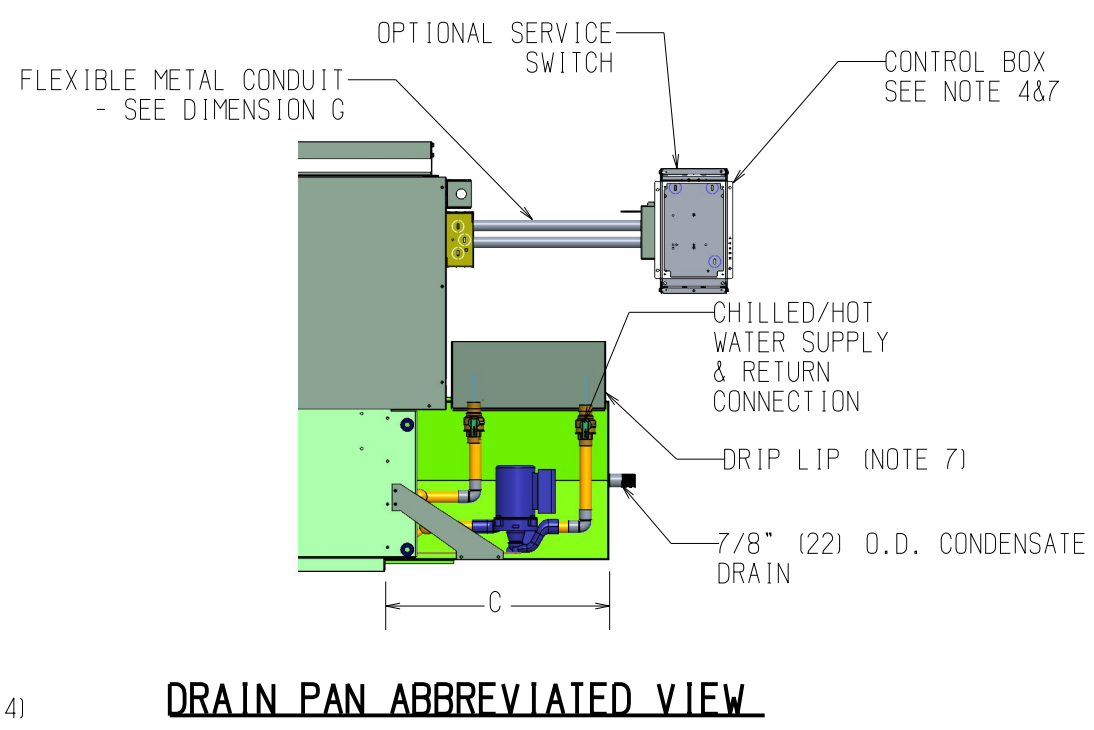
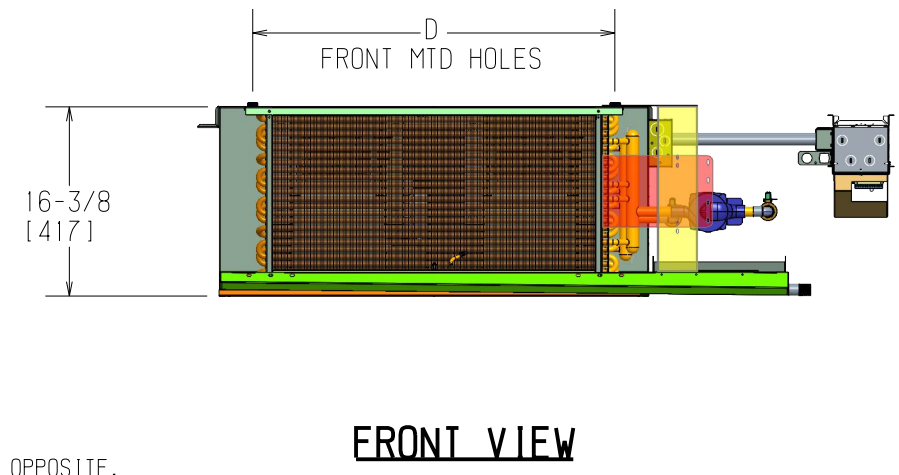
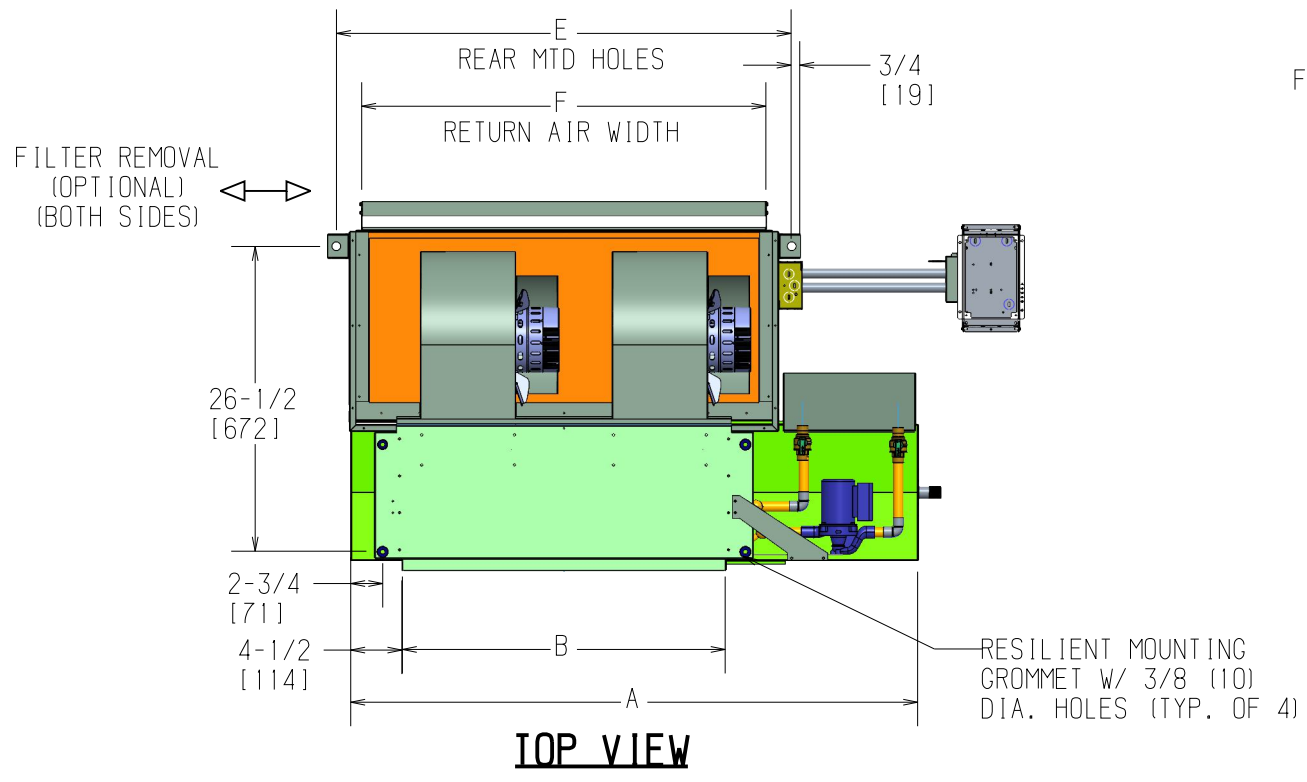


REVISION HISTORY		
REV	DATE	ECN
-	04/14/23	23-0370



- NOTES:
1. RH COIL SHOWN. LH OPPOSITE.
 2. ALL DIMENSIONS ARE +/- .25 (6) . DRAWING NOT TO SCALE.
 3. PRODUCT SPECIFICATIONS ARE SUBJECT TO CHANGE WITHOUT NOTICE.
 4. CONTROL BOX SIZE AND POSITION MAY VARY (CONSULT FACTORY)
 5. SERVICE ACCESS IS LOCATED ON THE FRONT OF THE CONTROL BOX.
 6. KNOCKOUTS ON THE BOTTOM AND SIDE OF THE CONTROL BOX FOR INCOMING POWER CONNECTIONS
 7. DRIP LIP REQUIRED WHEN VLVE PKG IS ORDERED

Unit Model	Dimensions - Inches (Millimeters)							Quantity/Unit	
	A	B	C	D	E	F	G	Blower	Motor
HPF 06	35 (889)	14 (356)	16-1/2 (419)	17 (432)	25-1/2 (648)	21 (533)	38 (965)	1	1
HPF 08	40 (1016)	19 (483)	16-1/2 (419)	22 (559)	30-1/2 (775)	26 (660)	38 (965)	1	1
HPF 10	44 (1118)	23 (584)	16-1/2 (419)	26 (660)	34-1/2 (877)	30 (762)	38 (965)	1	1
HPF 12	49 (1245)	28 (711)	16-1/2 (419)	31 (787)	39-1/2 (1004)	35 (889)	38 (965)	2	2
HPF 14	54 (1372)	33 (838)	16-1/2 (419)	36 (914)	44-1/2 (1131)	40 (1016)	38 (965)	2	2
HPF 16	59 (1499)	38 (965)	16-1/2 (419)	41 (1041)	49-1/2 (1258)	45 (1143)	38 (965)	2	2
HPF 18	64 (1626)	43 (1092)	16-1/2 (419)	46 (1168)	54-1/2 (1385)	50 (1270)	38 (965)	2	2
HPF 20	68 (1727)	47 (1194)	16-1/2 (419)	50 (1270)	58-1/2 (1487)	54 (1372)	38 (965)	2	2

TITLE HPF HIGH PERFORMANCE HIDEAWAY W/PLENUM
REAR RETURN SUREFLOW WITH OPT E-HEAT SHOWN

DWG NO **1100-90053691** **REV** -

DRAWN J. BRADFORD	DATE 04/14/23	APPROVED J. FUSON	DATE 04/14/23
--------------------------	----------------------	--------------------------	----------------------