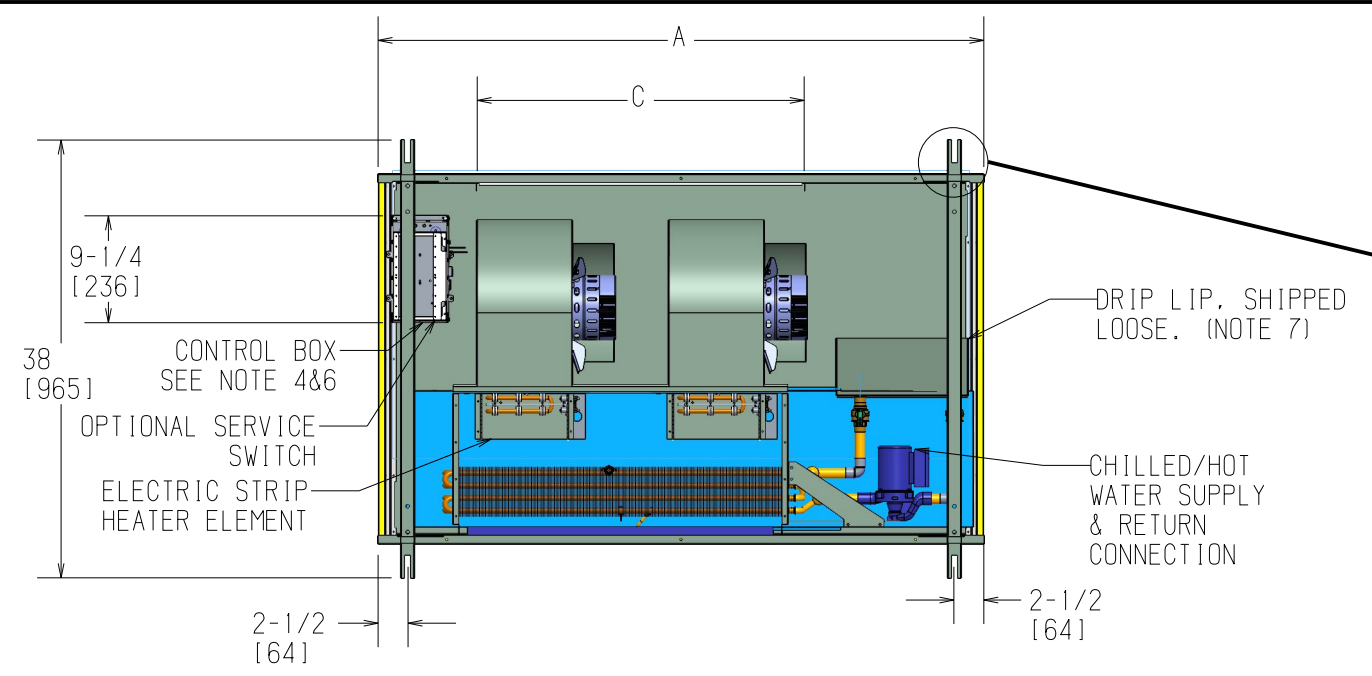
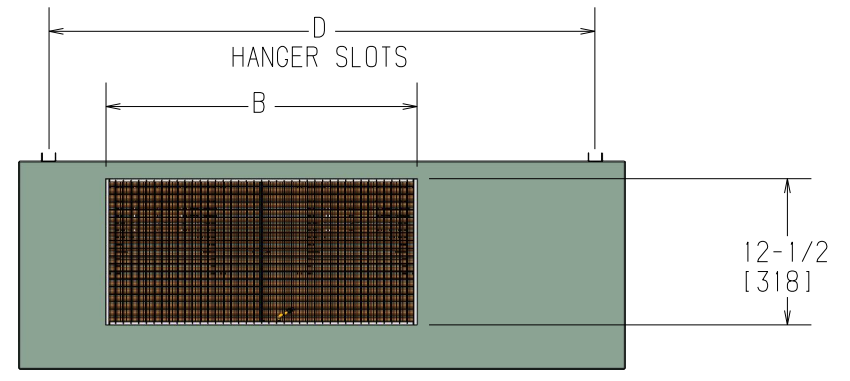
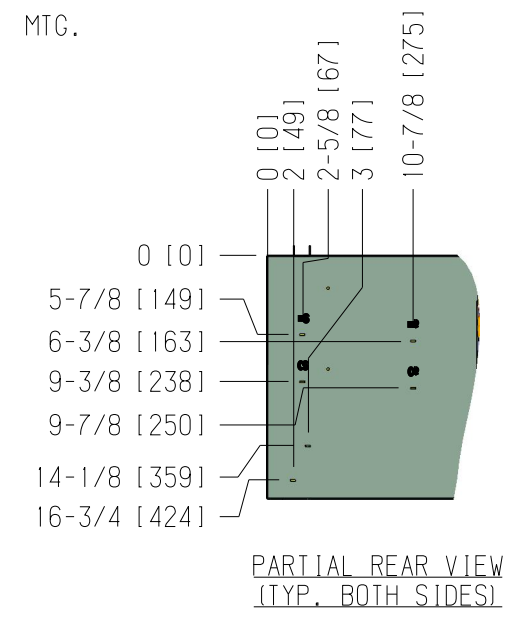
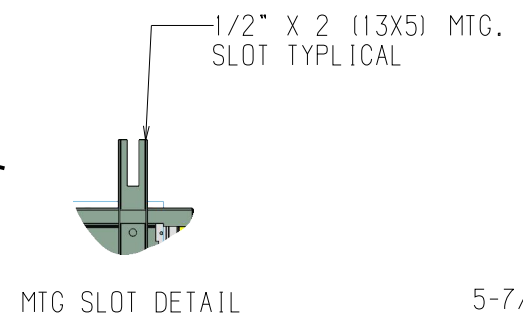


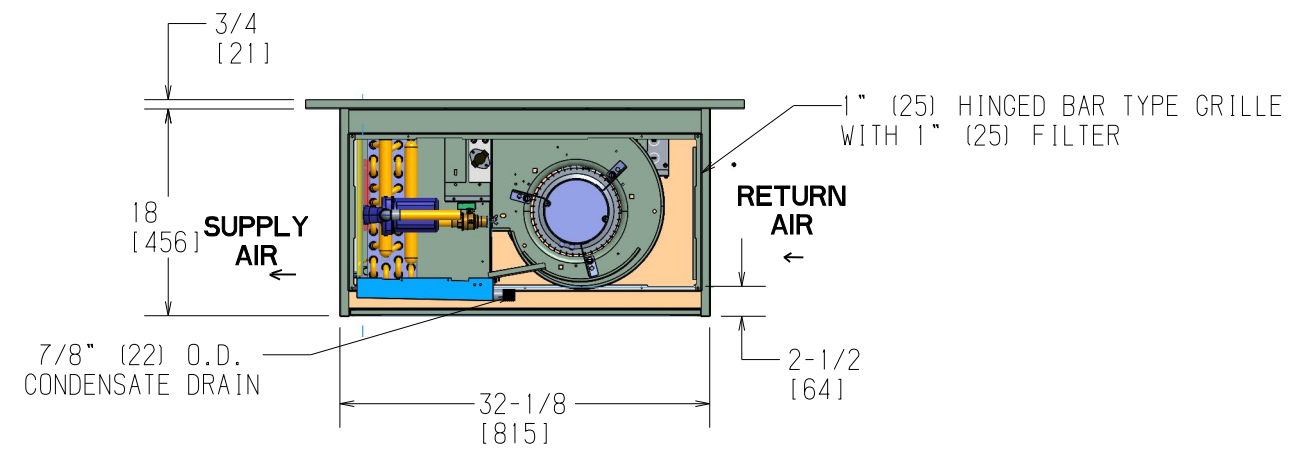
REVISION HISTORY		
REV	DATE	ECN
-	04/14/23	23-0370



TOP VIEW



FRONT VIEW



RIGHT SIDE VIEW

- NOTES:
1. RH COIL SHOWN. LH OPPOSITE.
 2. ALL DIMENSIONS ARE +/- .25 (6). DRAWING NOT TO SCALE.
 3. PRODUCT SPECIFICATIONS ARE SUBJECT TO CHANGE WITHOUT NOTICE.
 4. CONTROL BOX SIZE AND POSITION MAY VARY (CONSULT FACTORY)
 5. SERVICE ACCESS IS LOCATED ON THE FRONT OF THE CONTROL BOX.
 6. KNOCKOUTS ON THE BOTTOM AND SIDE OF THE CONTROL BOX FOR INCOMING POWER CONNECTIONS
 7. DRIP LIP REQUIRED WHEN VLVE PKG IS ORDERED.

Unit Model	Dimensions - Inches (Millimeters)				Quantity/Unit	
	A	B	C	D	Blower	Motor
42DF 06	38-1/2 (978)	13 (330)	14 (356)	33-1/2 (851)	1	1
42DF 08	43-1/2 (1105)	18 (457)	20 (508)	38-1/2 (978)	1	1
42DF 10	47-1/2 (1207)	22 (558)	24 (610)	42-1/2 (1080)	1	1
42DF 12	52-1/2 (1334)	27 (686)	28 (711)	47-1/2 (1207)	2	2
42DF 14	57-1/2 (1461)	32 (813)	34 (864)	52-1/2 (1334)	2	2
42DF 16	62-1/2 (1588)	37 (940)	38 (965)	57-1/2 (1461)	2	2
42DF 18	67-1/2 (1715)	42 (1067)	44 (1118)	62-1/2 (1588)	2	2
42DF 20	71-1/2 (1816)	46 (1168)	48 (1219)	66-1/2 (1689)	2	2

TITLE			
HLF HIGH PERFORMANCE CABINET SUREFLOW WITH OPT E-HEAT SHOWN			
DWG NO			REV
1100-90053776			-
DRAWN	DATE	APPROVED	DATE
J. BRADFORD	04/14/23	J. FUSON	04/14/23