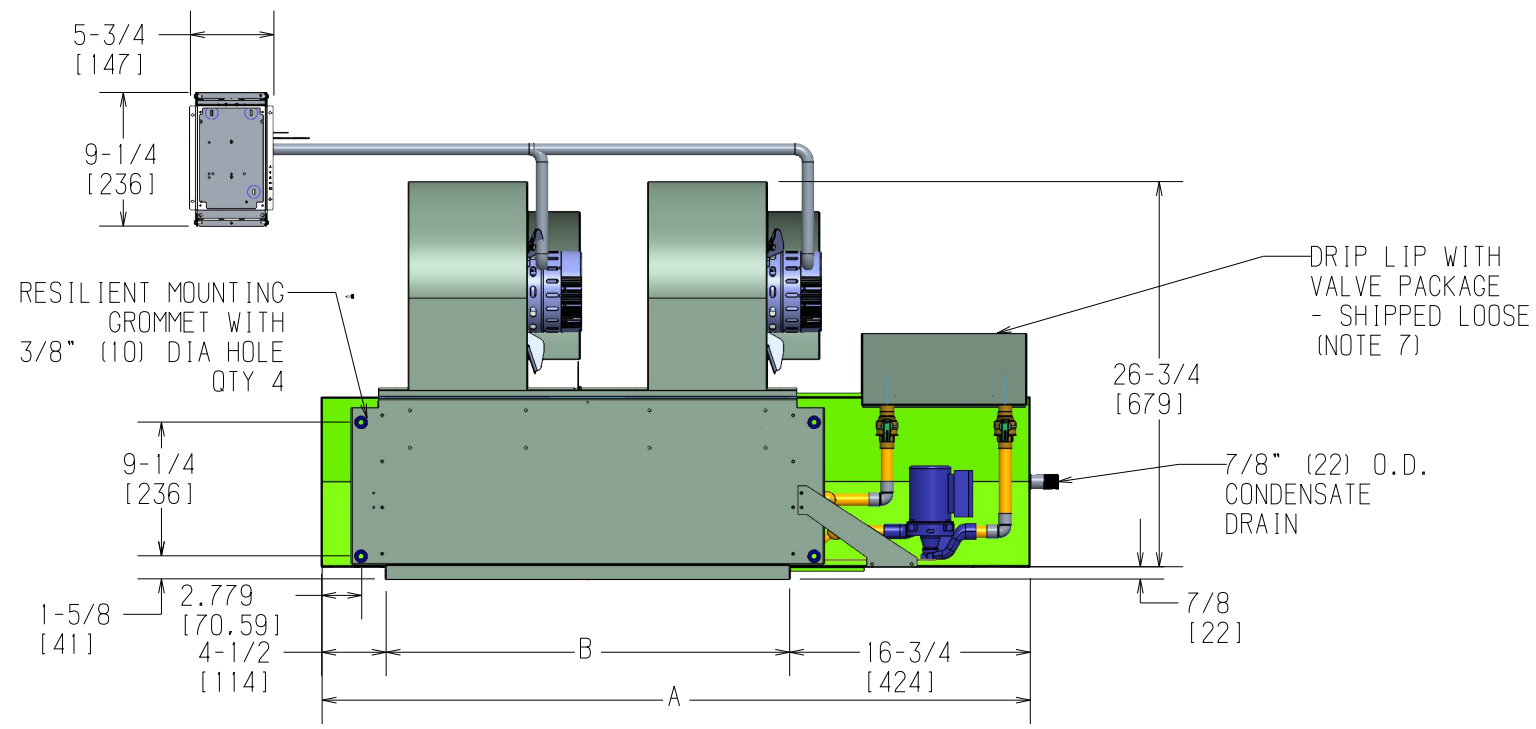
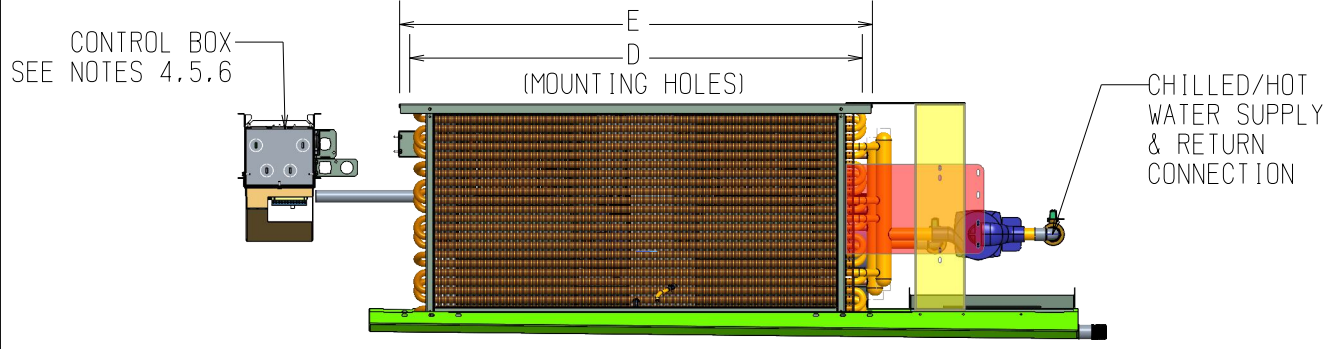


REVISION HISTORY		
REV	DATE	ECN
-	04/14/23	23-0370

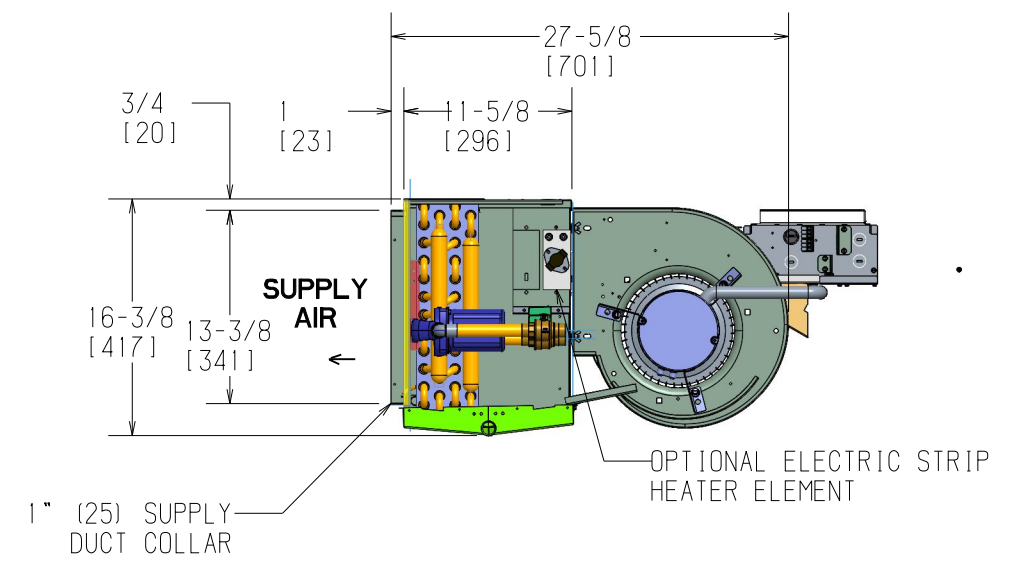


TOP VIEW



FRONT VIEW

- NOTES:
1. RH COIL SHOWN. LH OPPOSITE.
 2. ALL DIMENSIONS ARE +/- .25 (6) . DRAWING NOT TO SCALE.
 3. PRODUCT SPECIFICATIONS ARE SUBJECT TO CHANGE WITHOUT NOTICE.
 4. CONTROL BOX SIZE AND POSITION MAY VARY (CONSULT FACTORY).
 5. SERVICE ACCESS IS LOCATED ON THE FRONT OF THE CONTROL BOX.
 6. KNOCKOUTS ON THE BOTTOM AND SIDE OF THE CONTROL BOX FOR INCOMING POWER CONNECTIONS
 7. DRIP LIP REQUIRED WHEN VLVE PKG IS ORDERED.



RIGHT SIDE VIEW

Unit Model	Dimensions - Inches (Millimeters)					Quantity/Unit	
	A	B	C	D	E	Blower	Motor
HHF 06	30-1/2 (775)	14 (356)	13-1/2 (343)	17 (432)	18-3/4 (476)	1	1
HHF 08	35-1/2 (902)	19 (483)	13-1/2 (343)	22 (559)	23-3/4 (603)	1	1
HHF 10	39-1/2 (1003)	23 (584)	14-1/2 (368)	26 (660)	27-3/4 (705)	1	1
HHF 12	44-1/2 (1130)	28 (711)	14-1/2 (368)	31 (787)	32-3/4 (832)	2	2
HHF 14	49-1/2 (1257)	33 (838)	14-1/2 (368)	36 (914)	37-3/4 (959)	2	2
HHF 16	54-1/2 (1384)	38 (965)	13-1/2 (343)	41 (1041)	42-3/4 (1086)	2	2
HHF 18	59-1/2 (1511)	43 (1092)	14-1/2 (368)	46 (1168)	47-3/4 (1213)	2	2
HHF 20	63-1/2 (1613)	47 (1194)	14-1/2 (368)	50 (1270)	51-3/4 (1314)	2	2



TITLE HHF HIGH PERFORMANCE HIDEAWAY SUREFLOW WITH OPT E-HEAT SHOWN			
DWG NO 1100-90054065			REV -
DRAWN E. KEELING	DATE 04/14/23	APPROVED J. FUSON	DATE 04/14/23