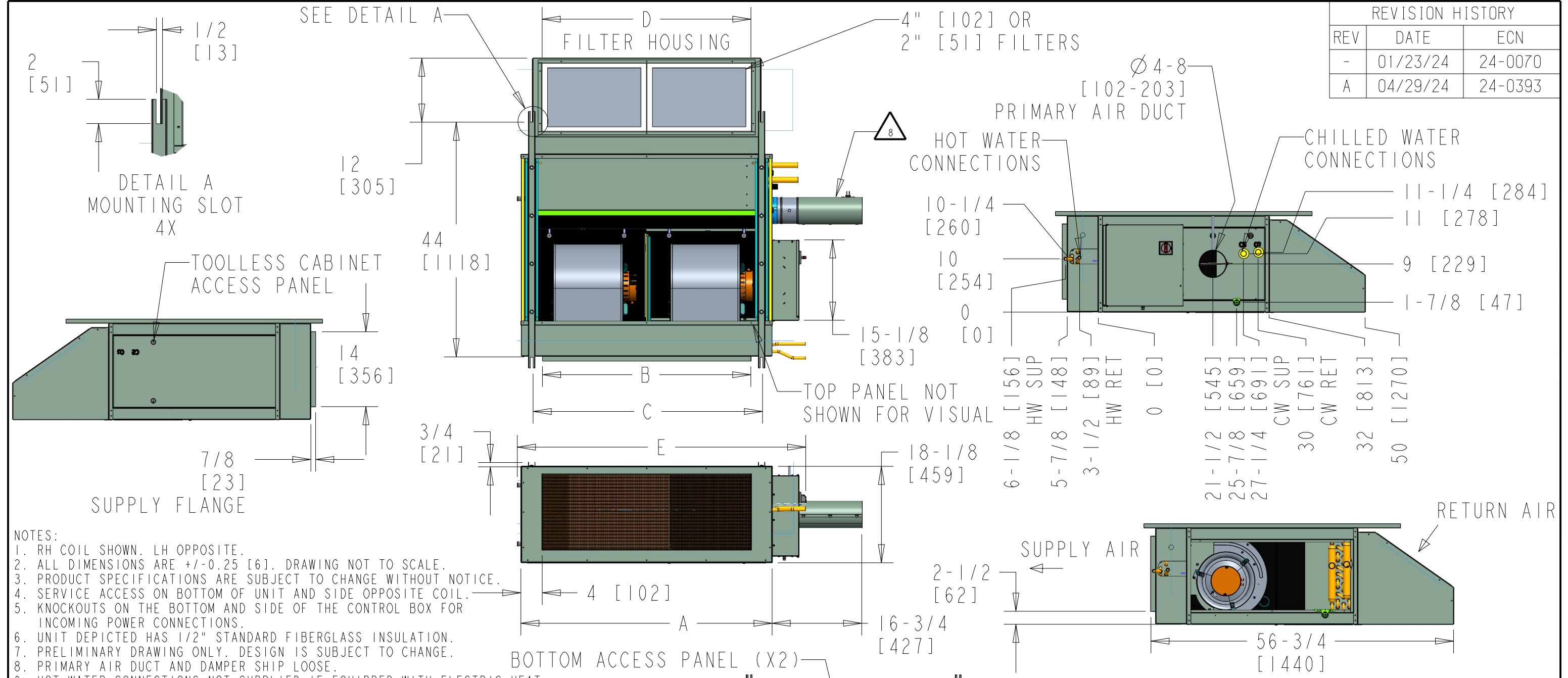
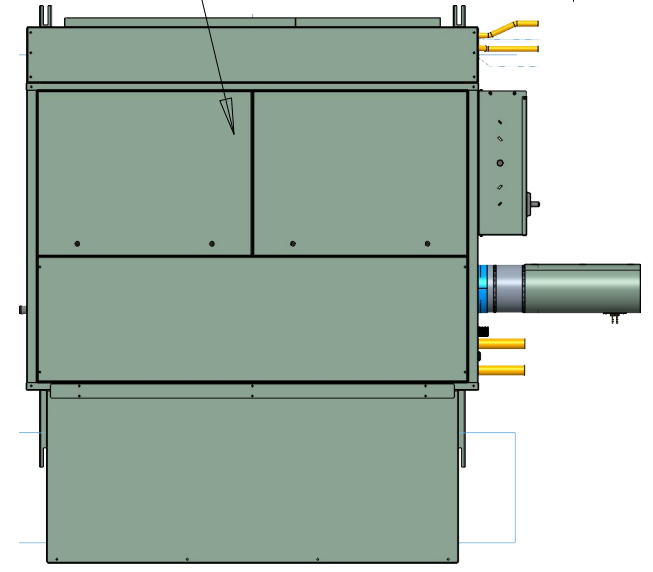


REVISION HISTORY		
REV	DATE	ECN
-	01/23/24	24-0070
A	04/29/24	24-0393



- NOTES:
1. RH COIL SHOWN. LH OPPOSITE.
 2. ALL DIMENSIONS ARE +/-0.25 [6]. DRAWING NOT TO SCALE.
 3. PRODUCT SPECIFICATIONS ARE SUBJECT TO CHANGE WITHOUT NOTICE.
 4. SERVICE ACCESS ON BOTTOM OF UNIT AND SIDE OPPOSITE COIL.
 5. KNOCKOUTS ON THE BOTTOM AND SIDE OF THE CONTROL BOX FOR INCOMING POWER CONNECTIONS.
 6. UNIT DEPICTED HAS 1/2" STANDARD FIBERGLASS INSULATION.
 7. PRELIMINARY DRAWING ONLY. DESIGN IS SUBJECT TO CHANGE.
 8. PRIMARY AIR DUCT AND DAMPER SHIP LOOSE.
 9. HOT WATER CONNECTIONS NOT SUPPLIED IF EQUIPPED WITH ELECTRIC HEAT.

UNIT SIZE	DIMENSIONS - INCHES [mm]					QUANTITY/UNIT	
	A	B	C	D	E	BLOWER	MOTOR
06	23 [584]	15 [381]	19 [483]	19.5 [495]	30 [763]	1	1
08	28 [711]	20 [508]	24 [610]	19.5 [495]	35 [890]	1	1
10	32 [813]	24 [610]	28 [711]	24.5 [622]	39 [992]	1	1
12	37 [940]	29 [737]	33 [838]	31 [787]	44 [1119]	2	2
14	42 [1067]	34 [864]	38 [965]	39 [991]	49 [1246]	2	2
16	47 [1194]	39 [991]	43 [1092]	39 [991]	54 [1373]	2	2
18	52 [1321]	44 [1118]	48 [1219]	49 [1245]	59 [1500]	2	2
20	56 [1422]	48 [1219]	52 [1321]	49 [1245]	63 [1601]	2	2



TITLE: FAN POWERED TERMINAL UNIT w/RETURN ATTENUATOR AND HEAT

DWG NO: **1100-90054914**

REV: **A**

DRAWN: W.URBAN	DATE: 08/03/23	APPROVED: C.NORTH	DATE: 08/03/23
----------------	----------------	-------------------	----------------