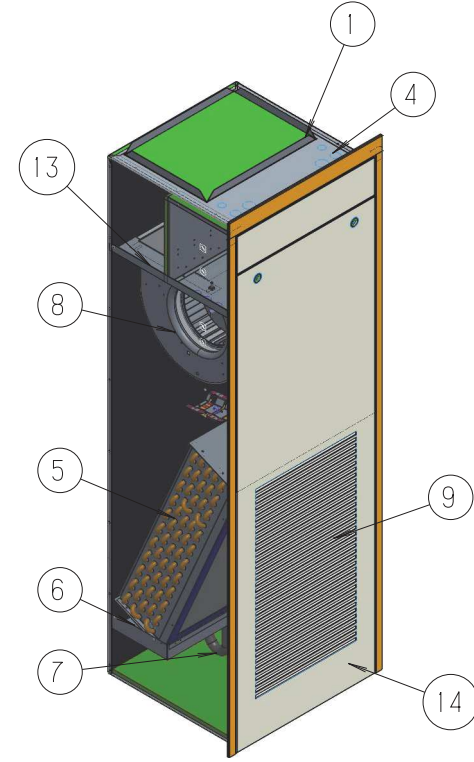
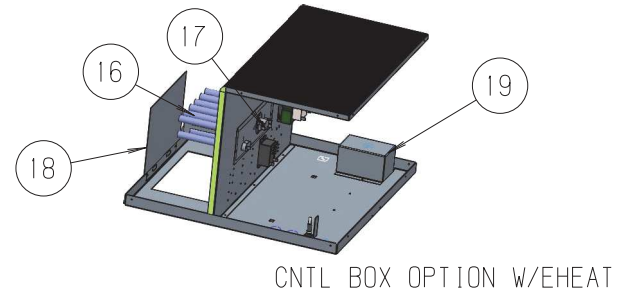
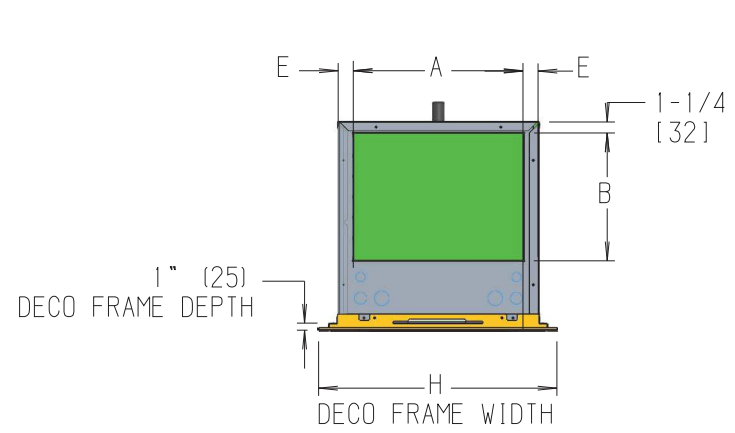
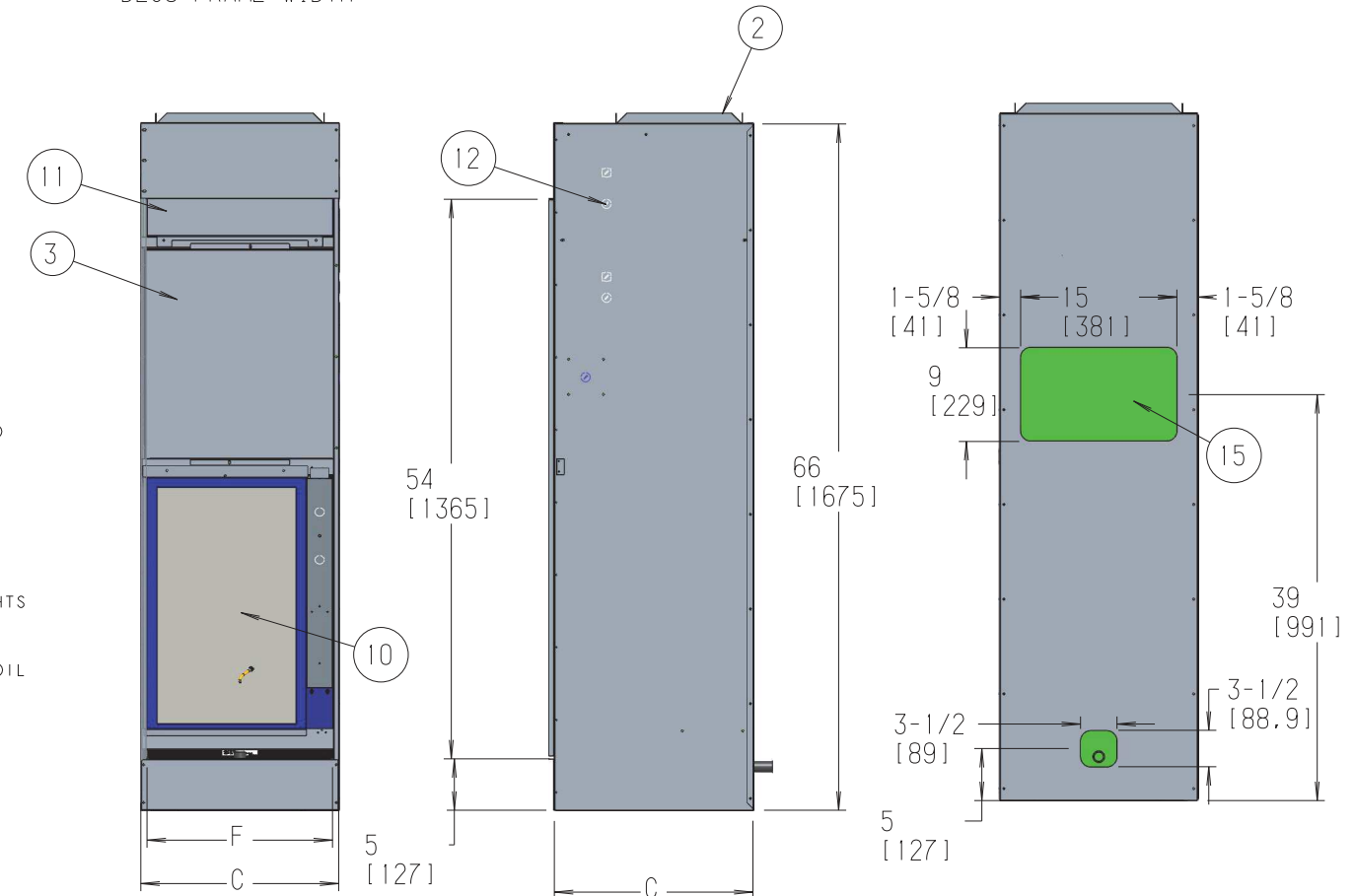


REVISION HISTORY		
REV	DATE	ECN
-	2/28/22	22-0170



ITEM	DESCRIPTION
1	SUPPLY OPENING
2	DUCT COLAR 1" (25) EXT (TYP)
3	RA ACOUSTICAL SVC PANEL
4	ELECTRICAL KNOCK OUTS
5	COIL 1/2" (13) O.D.
6	DRAIN PAN
7	FLEX DRAIN TUBE/P-TRAP
8	MOTOR/BLOWER HOUSING
9	RETURN AIR OPENING
10	FILTER
11	ACCESS PANEL (CONTROL BOX)
12	KNOCKOUT FOR REMOTE MNT TSTAT
13	CONTROL BOX
14	FRAMED DECO PANEL
15	CC RISER PAD (4 PIPE SHOWN)
16	STRIP HEATER (OPTIONAL E HEAT)
17	HEAT LIMIT SWITCH (OPTIONAL E HEAT)
18	HEAT SHIELD (OPTIONAL E HEAT)
19	SVC SWITCH (OPTIONAL)

- NOTES:
- A. UNITS GALV STEEL WITH 16 GA FAN DECK
 - B. THREADED FITTINGS MUST BE FIELD TIGHTENED
 - C. THERMOSTATS SHIPPED LOOSE FOR FIELD INSTALATION
 - D. ALL RISERS SHIP SEPERATELY FROM UNIT IF ORDERED
 - E. BLOWER, MOTOR, VALVES, COIL, AND FILTER ARE ACCESSIBLE THROUGH THE RETURN AIR OPENING
 - F. UNIT AND CNTL BOX ARE INSULATED
 - G. STANDARD RISER PENETRATION HEIGHT IS 39" A.F.F CONTACT FACTORY FOR ALTERNATE HEIGHTS
 - H. DECO FRAME NOT SHOWN IN MAIN VIEW UNLESS OTHERWISE NOTED FOR DIMENSION VALUES
 - I. HOSES SHIP W/UNIT (NOT SHOWN)
 - J. OPENING PROVIDED IN THE BACK PANEL FOR COIL CONNECTION TO PERMIT EXPANSION AND CONTRACTION OF RISERS. COIL CONNECTIONS TO BE AT THE CENTER OF THE SLOTS.
 - K. SEE UNIT ARRANGEMENTS FOR SUPPLY AND RETURN AIR ORIENTATION.
 - L. DIMENSIONS ARE IN INCHES, DIMS IN () ARE IN MM



STANDARD HEIGHTS AND WIDTHS SHOWN FOR RISER PENETRATION SEE NOTE J

UNIT SHOWN WITH FRAMED DECO PANEL SIDE PANEL REMOVED FOR CLARITY

Unit Model	TOP SUPPLY			DIMENSIONS				FILTER SIZE
	A	B	SIZE	C	E	F	H	
MRY 03	14 (356)	10 (254)	14X10	16 (406)	1 (25.4)	14 (356)	21 1/2 (546)	12-1/2 X 24-1/4 X 1 (318 X 616 X 25)
MRY 04	14 (356)	10 (254)	14X10	16 (406)	1 (25.4)	14 (356)	21 1/2 (546)	12-1/2 X 24-1/4 X 1 (318 X 616 X 25)
MRY 06	16 (406)	12 (305)	16X12	19 (483)	1-1/2 (38)	18 (457)	24-1/2 (622)	16-1/4 X 26-3/4 X 1 (413 X 679 X 25)
MRY 08	16 (406)	12 (305)	16X12	19 (483)	1-1/2 (38)	18 (457)	24-1/2 (622)	16-1/4 X 26-3/4 X 1 (413 X 679 X 25)
MRY 10	18 (457)	16 (406)	18X16	23 (584)	2-1/2 (63.5)	22 (559)	28-1/2 (724)	20-1/2 X 29-1/4 X 1 (521 X 743 X 25)
MRY 12	18 (457)	16 (406)	18X16	23 (584)	2-1/2 (63.5)	22 (559)	28-1/2 (724)	20-1/2 X 29-1/4 X 1 (521 X 743 X 25)

TITLE		MRY UNIT 66" HEIGHT	
DWC NO		1100-90047923	
DRAWN		DATE	
J. FUSON		2/28/22	
APPROVED		DATE	
M. SMITH		2/28/22	