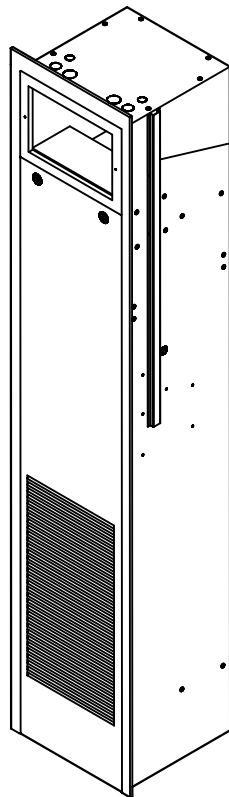
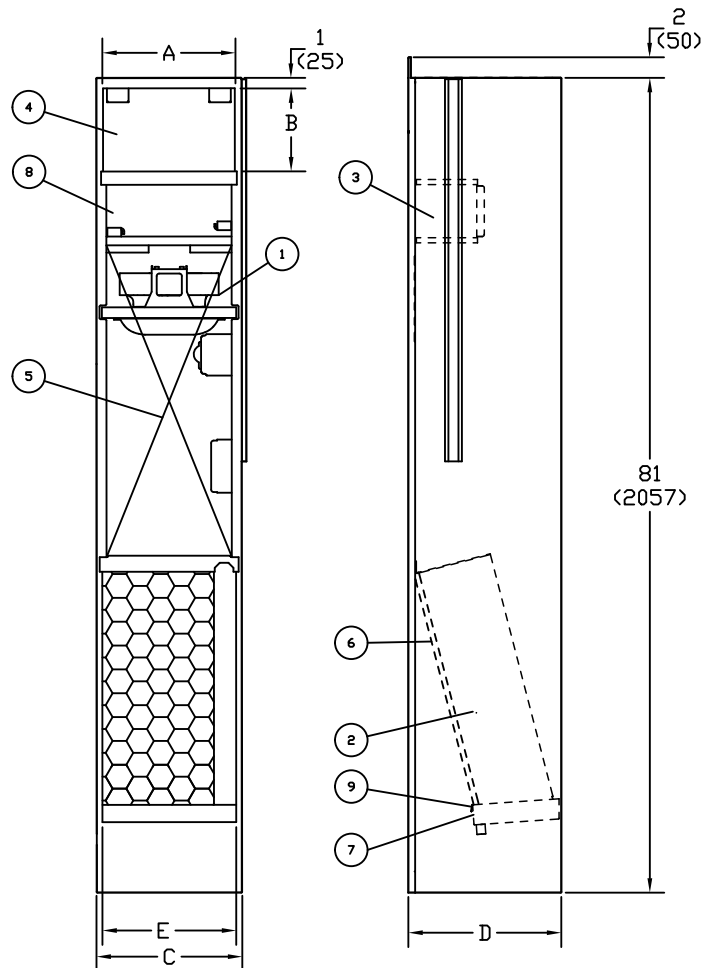
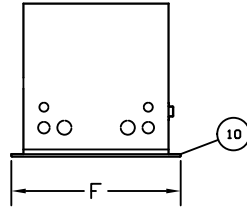


REVISION HISTORY		
REV	DATE	ECN
-	01/12/16	16-0064
A	01/19/16	16-0139
B	02/16/16	16-0340
C	03/17/16	16-0618
D	03/25/16	16-0749



TOP INCOMING POWER ONLY



NOTES:

- A. UNITS ARE FABRICATED OF GALVANIZED STEEL WITH A 16 GA GALVANIZED FAN DECK.
- B. THERMOSTATS SHIPPED LOOSE FOR FIELD CONNECTION.
- C. BLOWER, MOTOR, COIL, AND FILTER ARE ACCESSIBLE THROUGH THE RETURN AIR OPENING.
- D. UNIT AND CONTROL BOX ARE INSULATED WITH 1/2" (13) COATED GLASS FIBER INSULATION
- E. HOSES SHIP W/UNIT BUT ARE NOT SHOWN
- F. THREADED FITTINGS MUST BE FIELD TIGHTENED AND TESTED
- G. UNIT DESIGNED FOR 39"-55" RISER STUB OUT HEIGHT CONTACT FACTORY FOR ALTERNATE HEIGHTS
- H. TYPE 'U' RETURN AIR PANEL SHOWN
- I. RETURN AIR DECO PANEL AND FRAME NOT SHOWN IN FRONT VIEW

ITEM	DESCRIPTION	QTY
1	MOTOR BLOWER, W/ QUICK CONNECT	1
2	COIL 1/2" (13) O. D. COPPER TUBE	1
3	CONTROL BOX	1
4	SUPPLY AIR OPENING(S)	
5	RETURN AIR BLOCK OFF PANEL	1
6	FILTER, THROWAWAY, 1' (25)	1
7	DRAIN PAN	1
8	ACCESS PANEL (CONTROL BOX)	1
9	FLOAT SV	1
10	RA PNL ASSY MIY	1

MIY81 W/ TOP PWR

MODEL
MIY-3

JOB NUMBER

JOB NAME

DRAWN BY
T.WILLIAMS

DRAWING NUMBER
I100-90027600



REVISION
D

SHEET
1 OF 1

MODEL	FRONT SUPPLY		DIMENSIONS				FILTER SIZE
	A	B	C	D	E	F	
MIY04	12 (305)	8 (203)	14.5 (368)	15.2 (386)	13.5 (343)	17 (432)	11 X 24-1/2 X 1 (279X622X25)