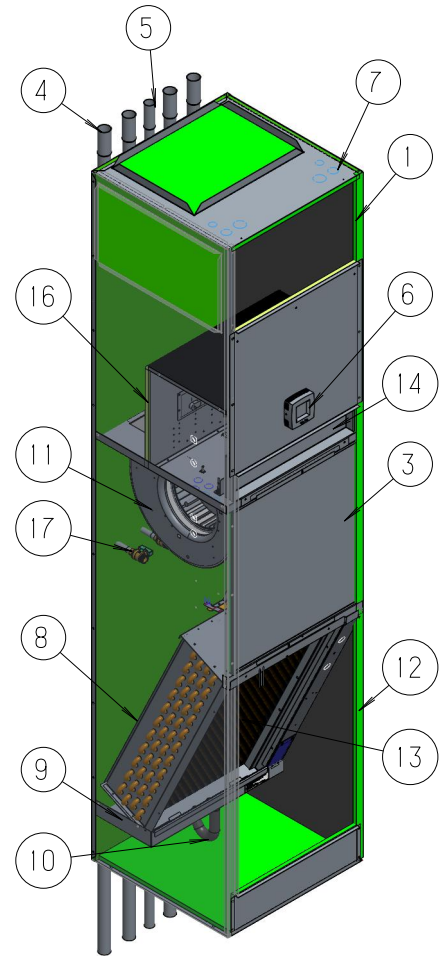
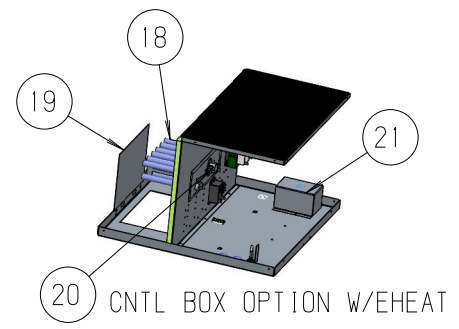
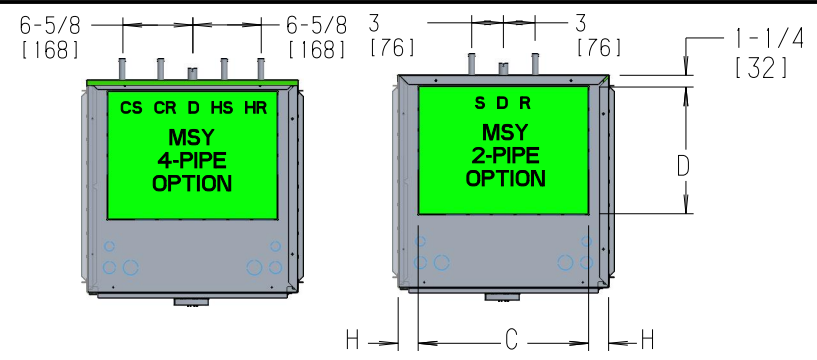
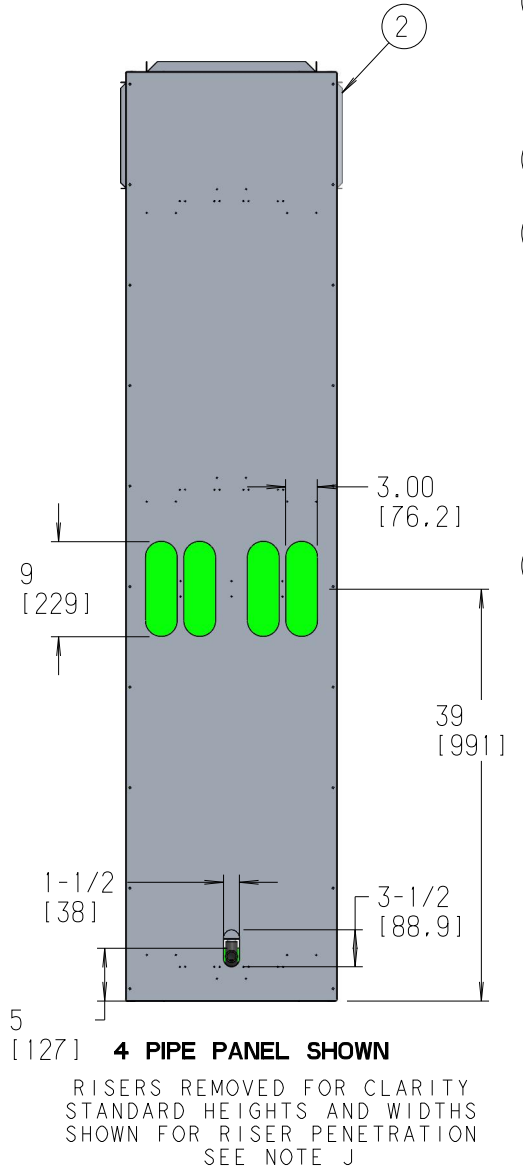
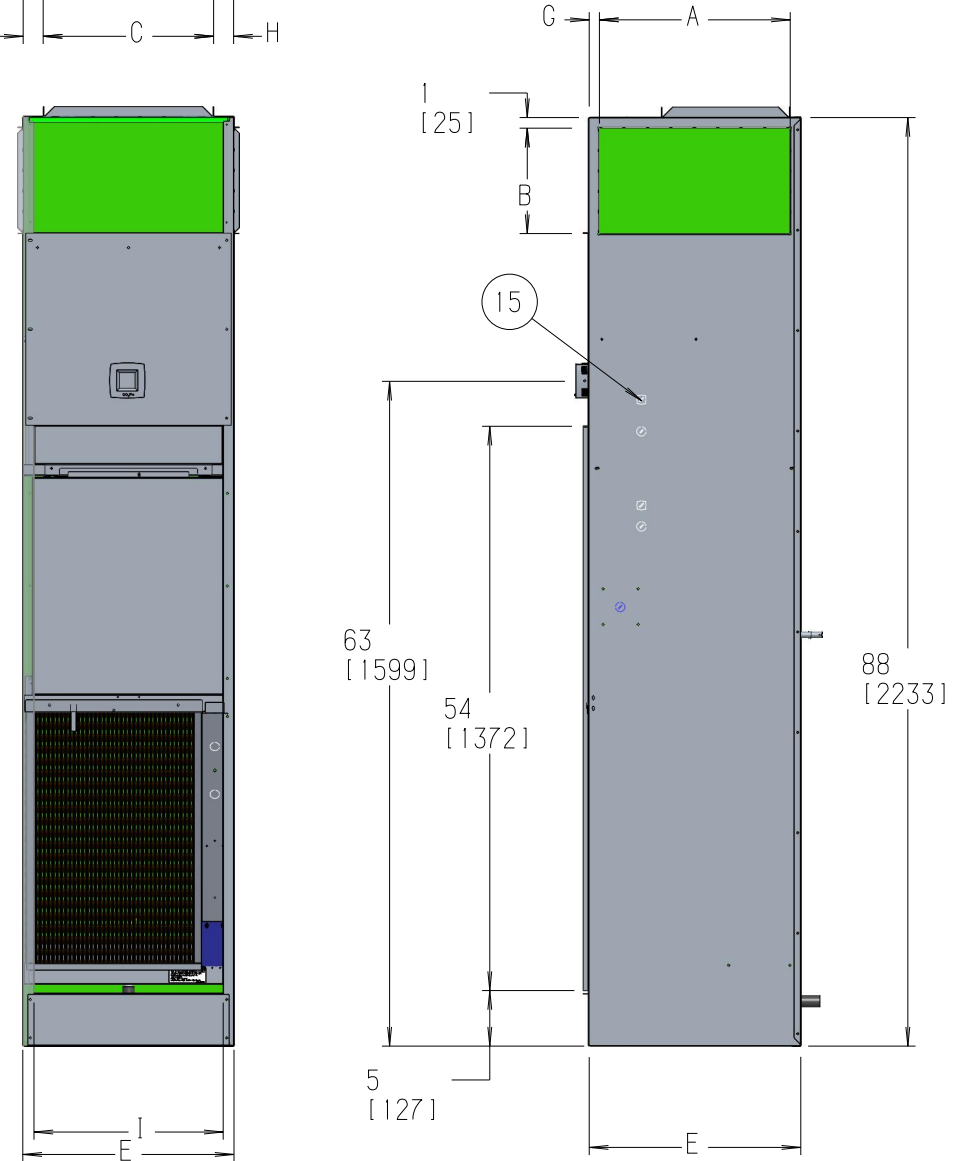


REVISION HISTORY		
REV	DATE	ECN
-	02/28/22	22-0170



ITEM	DESCRIPTION
1	SUPPLY OPENING
2	DUCT COLAR 1/2"(13)EXT (TYP)
3	RA ACOUSTICAL SVC PANEL
4	RISER, SUPPLY & RETURN
5	RISER, DRAIN
6	THERMOSTAT SURFACE MNT LOCATION
7	ELECTRICAL KNOCK OUTS
8	COIL 1/2"(13) O.D.
9	DRAIN PAN
10	FLEX DRAIN TUBE/P-TRAP
11	MOTOR/BLOWER HOUSING
12	RETURN AIR OPENING
13	FILTER, THROWAWAY, 1"(25)
14	ACCESS PANEL (CONTROL BOX)
15	KNOCKOUT (OPTIONAL REMOTE MNT)
16	CONTROL BOX
17	1/2"(13) ISOLATION VALVE
18	STRIP HEATER (OPTIONAL E HEAT)
19	HEAT LIMIT SWITCH (OPTIONAL E HEAT)
20	HEAT SHIELD (OPTIONAL E HEAT)
21	SERVICE SWITCH (OPTIONAL)

- NOTES:
A. UNITS GALV STEEL WITH 16 GA FAN DECK
B. ALL RISERS INSULATED
C. COIL WITH VALVES AS SPECIFIED
D. BLOWER, MOTOR, VALVES, COIL, AND FILTER ARE ACCESSIBLE THROUGH THE RETURN AIR OPENING.
E. UNIT AND CNTL BOX ARE INSULATED
F. EXPANSION LOOPS IN HOT WATER HEATING CIRCUITS AS REQUIRED
G. SLOTS PROVIDED IN THE BACK PANEL FOR COIL CONNECTION TO PERMIT EXPANSION AND CONTRACTION OF RISERS. COIL CONNECTIONS TO BE AT THE CENTER OF THE SLOTS.
H. SEE UNIT ARRANGEMENTS FOR SUPPLY AND RETURN AIR ORIENTATION.
I. DIMENSIONS ARE IN INCHES, DIMS IN () ARE IN MM



SIDE PANEL REMOVED FOR CLARITY



Unit Model	Dimensions - Inches (Millimeters)													
	SINGLE SUPPLY			DOUBLE SUPPLY			TOP SUPPLY			DIMENSIONS				FILTER SIZE
	A	B	SIZE	A	B	SIZE	C	D	SIZE	E	G	H	I	
MSY 03	14 (356)	8 (203)	14X8	14 (356)	6 (152)	14X6	14 (356)	10 (254)	14X10	17 (432)	1-1/2 (38)	1-1/2 (38)	14 (356)	12-1/2 X 24-1/4 X 1 (318 X 616 X 25)
MSY 04	14 (356)	12 (305)	14X12	14 (356)	6 (152)	14X6	14 (356)	10 (254)	14X10	17 (432)	1-1/2 (38)	1-1/2 (38)	14 (356)	12-1/2 X 24-1/4 X 1 (318 X 616 X 25)
MSY 06	18 (457)	10 (254)	18X10	18 (457)	6 (152)	18X6	16 (406)	12 (305)	16X12	20 (508)	1 (25)	2 (51)	18 (457)	16-1/4 X 26-3/4 X 1 (413 X 679 X 25)
MSY 08	18 (457)	12 (305)	18X12	18 (457)	6 (152)	18X6	16 (406)	12 (305)	16X12	20 (508)	1 (25)	2 (51)	18 (457)	16-1/4 X 26-3/4 X 1 (413 X 679 X 25)
MSY 10	22 (559)	16 (406)	22X16	22 (559)	8 (203)	22X8	18 (457)	16 (406)	18X16	24 (610)	1 (25)	3 (76)	22 (559)	20-1/2 X 29-1/4 X 1 (521 X 743 X 25)
MSY 12	22 (559)	16 (406)	22X16	22 (559)	8 (203)	22X8	18 (457)	16 (406)	18X16	24 (610)	1 (25)	3 (76)	22 (559)	20-1/2 X 29-1/4 X 1 (521 X 743 X 25)

TITLE			
MSY UNIT			
DWG NO			REV
1100-90047861			-
DRAWN	DATE	APPROVED	DATE
J. FUSON	02/28/22	M. SMITH	02/28/22