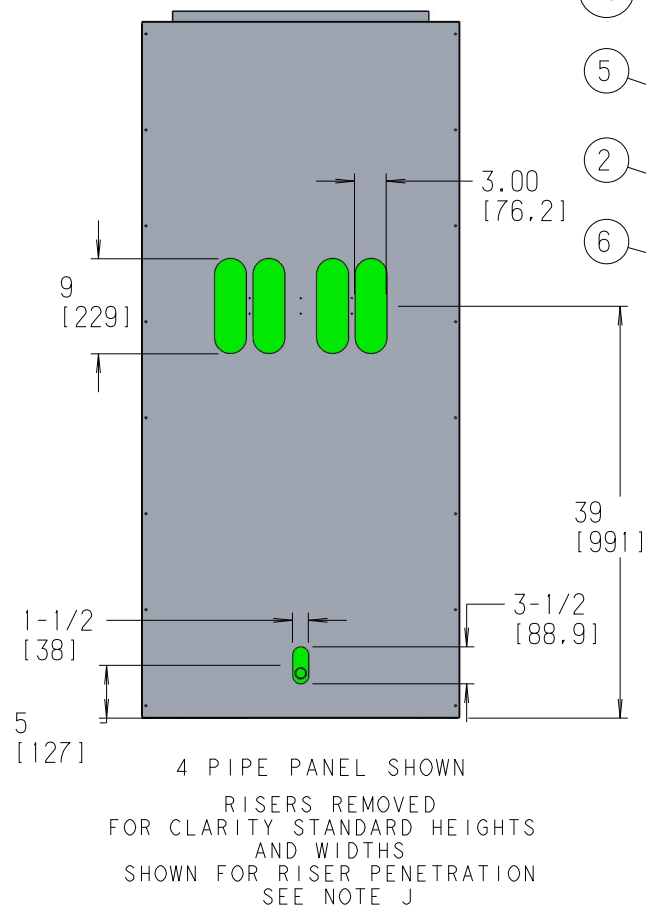
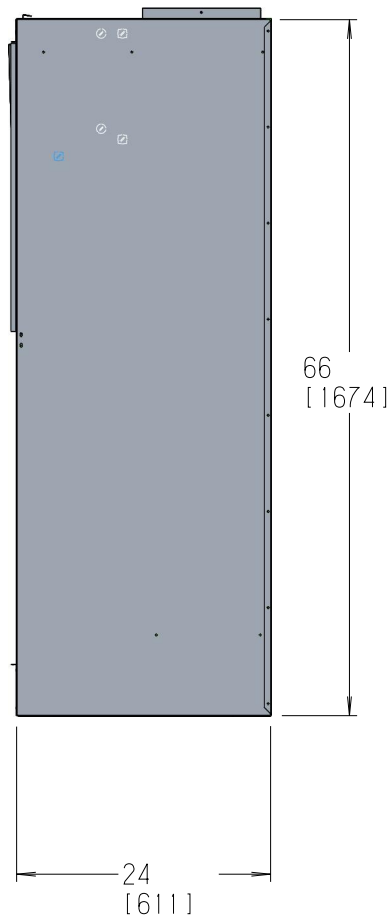
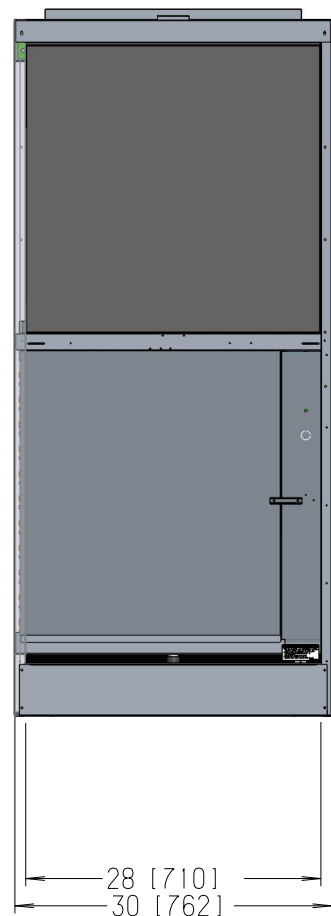


ITEM	DESCRIPTION
1	1" (25) FLANGED SUPPLY AIR OPENING
2	FILTER, THROWAWAY, 1" (25)
3	CONTROL BOX HINGED WITH SLAM LATCH
4	ELECTRICAL KNOCK OUTS
5	COIL 1/2" (13) O.D.
6	DRAIN PAN
7	FLEX DRAIN TUBE/P-TRAP
8	MOTOR/BLOWER HOUSING
9	RETURN AIR OPENING
10	RA ACOUSTICAL SVC PNL
11	RISER, SUPPLY & RETURN
12	RISER, DRAIN
13	ISOLATION BALL VALVES
14	STRIP HEATER (OPTIONAL E HEAT)
15	HEAT LIMIT SWITCH (OPTIONAL E HEAT)
16	DISCONNECT SWITCH
17	OPTIONAL 22" SUPPLY PLENUM

NOTES:

- A. UNITS GALV STEEL WITH 16 GA FAN DECK
- B. ALL RISER INSULATED
- C. THERMOSTATS SHIPPED LOOSE FOR FIELD INSTALLATION
- D. RISERS ARE FACTORY PIPED TO COIL WITH VALVES AS SPECIFIED.
- E. BLOWER, MOTOR, VALVES, COIL, AND FILTER ARE ACCESSIBLE THROUGH THE RETURN AIR OPENING.
- F. UNIT AND CNTL BOX ARE INSULATED
- G. RISER LENGTH=[(FLOOR TO FLOOR) +2" (51)]
MAX RISER LENGTH =115" (2921) CONSULT RISER SUBMITTALS FOR SPECS
- H. MAX RISER DIAM IS 2-1/2" (64). IF LARGER DIAMATERS ARE REQUIRED, CONSULT THE FACTORY.
- I. EXPANSION LOOPS IN HOT WATER HEATING CIRCUITS AS REQUIRED
- J. SLOTS PROVIDED IN THE BACK PANEL FOR COIL CONNECTION TO PERMIT EXPANSION AND CONTRACTION OF RISERS. COIL CONNECTIONS TO BE AT THE CENTER OF THE SLOTS.
- K. SEE UNIT ARRANGEMENTS FOR SUPPLY AND RETURN AIR ORIENTATION.
- L. DIMENSIONS ARE IN INCHES, DIMS IN () ARE IN MM



SIDE PANEL DIMMED FOR CLARITY



TITLE				MCGY UNIT SIZES 1400-2000	
DWG NO				REV	
1100-90047808				-	
DRAWN	DATE	APPROVED	DATE		
J. FUSON	02/28/22	M. SMITH	02/28/22		