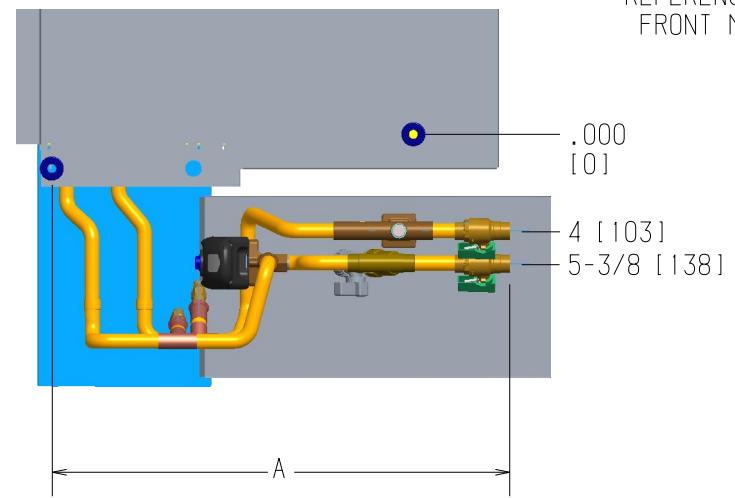


REVISION HISTORY		
REV	DATE	ECN
-	05/01/18	18-0608
A	01/20/22	22-0054

2 PIPE HEATING/COOLING

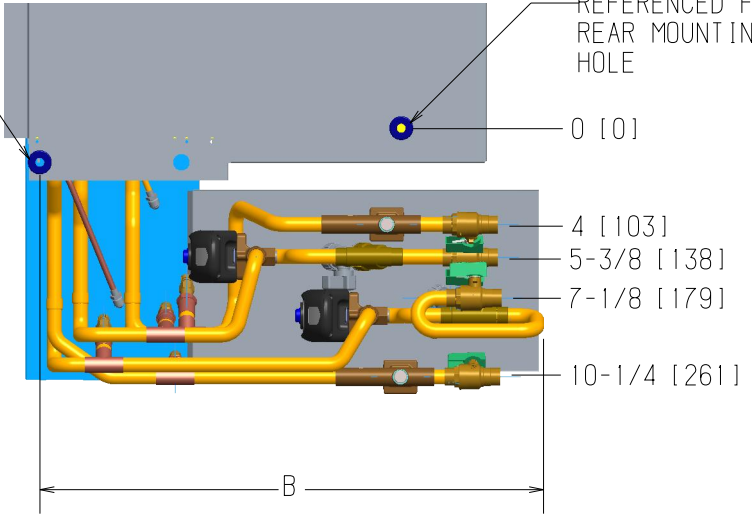
4 PIPE HEATING/COOLING

STANDARD VALVE PACKAGE

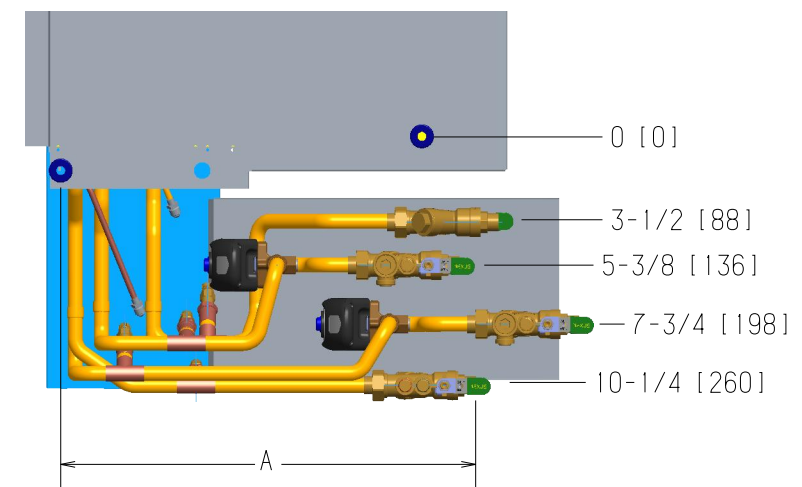
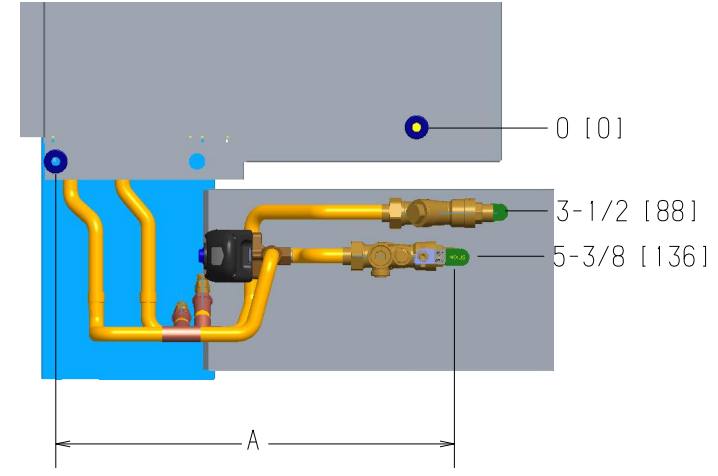


REFERENCED FROM FRONT MOUNTING HOLE

REFERENCED FROM REAR MOUNTING HOLE



COMBO VALVE PACKAGE



PARTIAL TOP VIEW OF CP/HP UNITS

DIMENSIONS - INCHES AND (MILLIMETERS)		
	A	B
NO COMBO VALVES		
3 WAY TACO/ERIE COOL	19 1/8 (486)	
3 WAY TACO/ERIE HEAT	19 1/4 (489)	21 1/8 (537)
3 WAY MODULATING COOL	19 1/8 (486)	
3 WAY MODULATING HEAT	19 1/4 (489)	21 9/16 (548)
2 WAY TACO/ERIE COOL	19 1/8 (486)	
2 WAY TACO/ERIE HEAT	19 1/4 (489)	21 1/8 (537)
2 WAY MODULATING COOL	19 1/8 (486)	
2 WAY MODULATING HEAT	21 1/8 (537)	21 9/16 (548)
COMBO VALVES SUPPLY/RETURN		
3 WAY TACO/ERIE COOL	17 5/16 (440) / 19 1/4 (489)	NA COMBO VLV CONNECTION DOES NOT EXCEED DISTANCE "A"
3 WAY TACO/ERIE HEAT	20 7/8 (530) / 19 1/4 (489)	
3 WAY MODULATING COOL	19 1/8 (486) / 18 1/16 (459)	
3 WAY MODULATING HEAT	20 7/8 (530) / 20 7/8 (530)	
2 WAY TACO/ERIE COOL	18 1/4 (464) / 16 5/8 (422)	
2 WAY TACO/ERIE HEAT	21 5/8 (549) / 17 3/8 (441)	
2 WAY MODULATING COOL	19 3/16 (487) / 16 5/8 (422)	
2 WAY MODULATING HEAT	19 7/16 (494) / 18 13/16 (477)	

NOTES:

1. ALL DIMENSIONS ARE ± 1/4" (6.3 MM)
2. TACO VALVES SHOWN FOR REFERENCE ONLY
3. COMPONENT LOCATION AND ACCESS MAY VARY



TITLE VALVE PACKAGE SUPPLEMENT C*Y			
DWG NO 1100-90041802			REV A
DRAWN J. FUSON	DATE 03/19/20	APPROVED S. STOTTS	DATE 03/19/20