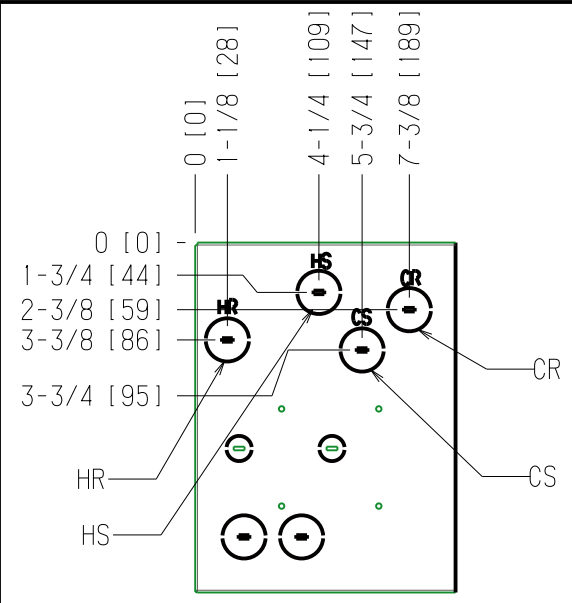
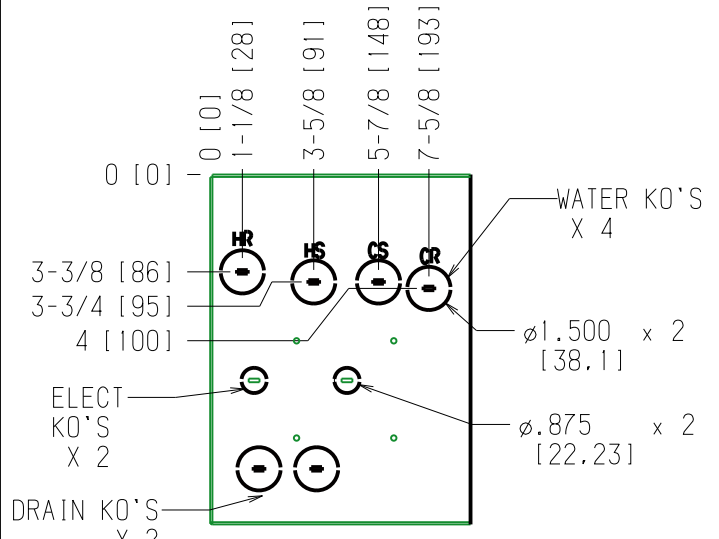


REVISION HISTORY		
REV	DATE	ECN
-	05/01/18	18-0608



INDIVIDUAL COMPONENTS



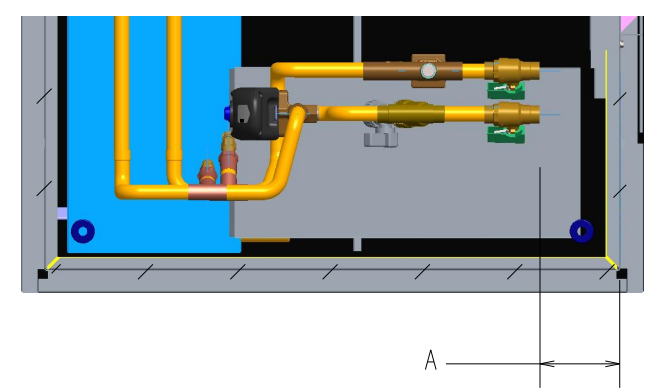
COMBO VALVE

**PARTIAL REAR VIEWS OF CB/CX UNITS**

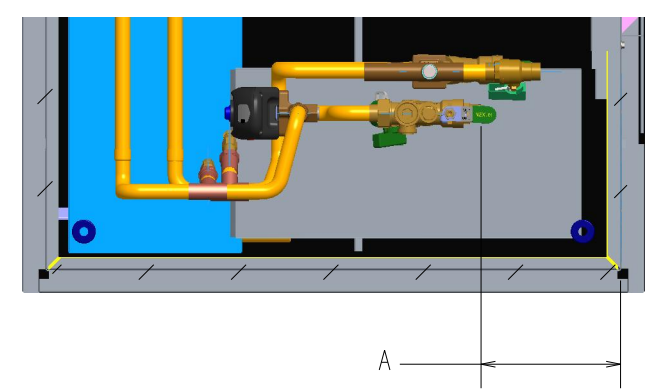
LH SIDE SHOWN  
RH OPPOSITE

- NOTES:
- ALL DIMENSIONS ARE ± 1/4" (6.3 MM)

2 PIPE HEATING/COOLING

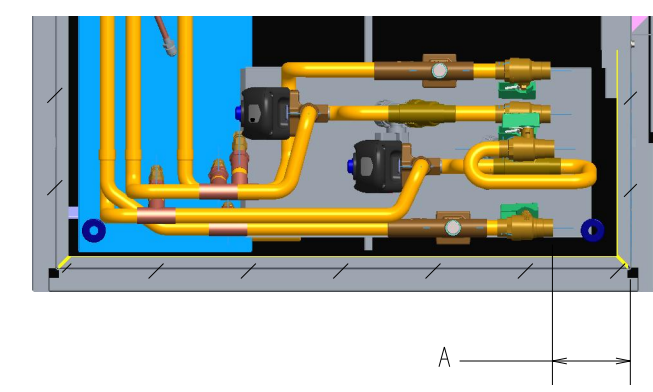


TOP VIEW

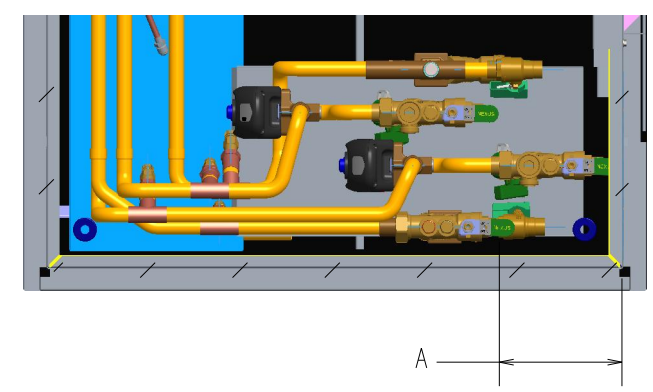


TOP VIEW

4 PIPE HEATING/COOLING



TOP VIEW



TOP VIEW

DIMENSIONS - INCHES AND (MILLIMETERS)		
	A	
NO COMBO VALVES	SUPPLY	RET
3 WAY TACO/ERIE COOL	3 5/16 (84)	3 5/16 (84)
3 WAY TACO/ERIE HEAT	3 3/16 (81)	3 3/16 (81)
3 WAY MODULATING COOL	3 5/16 (84)	3 5/16 (84)
3 WAY MODULATING HEAT	3 1/8 (79)	1 5/8 (41)
2 WAY TACO/ERIE COOL	3 1/4 (83)	3 1/4 (83)
2 WAY TACO/ERIE HEAT	3 1/4 (83)	3 1/4 (83)
2 WAY MODULATING COOL	3 3/8 (86)	3 3/8 (86)
2 WAY MODULATING HEAT	3 3/16 (81)	1 1/4 (32)
COMBO VALVES		
3 WAY TACO/ERIE COOL	5 1/8 (130)	6 1/4 (159)
3 WAY TACO/ERIE HEAT	1 1/2 (38)	3 3/16 (81)
3 WAY MODULATING COOL	3 1/4 (83)	4 7/16 (113)
3 WAY MODULATING HEAT	1 9/16 (40)	1 9/16 (40)
2 WAY TACO/ERIE COOL	4 1/8 (105)	5 3/4 (146)
2 WAY TACO/ERIE HEAT	13/16 (21)	5 1/8 (130)
2 WAY MODULATING COOL	4 3/8 (111)	3 1/4 (83)
2 WAY MODULATING HEAT	6 (152)	3 5/8 (92)

TITLE			
VALVE PACKAGE SUPPLEMENT CB/CX UNITS			
DWC NO			REV
<b>1100-90041628-A</b>			-
DRAWN	DATE	APPROVED	DATE
J. FUSON	03/19/20	S. STOTTS	03/19/20