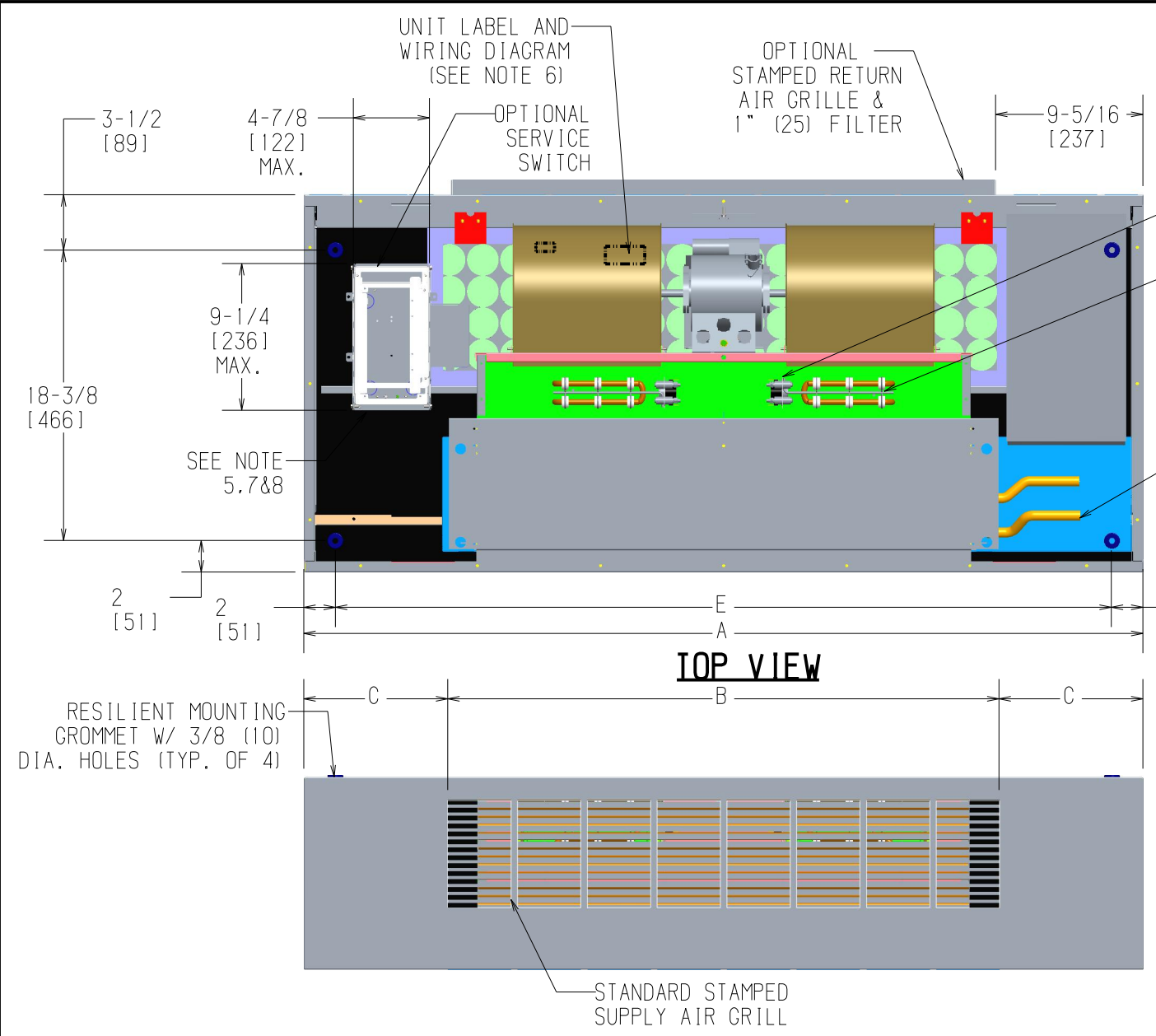
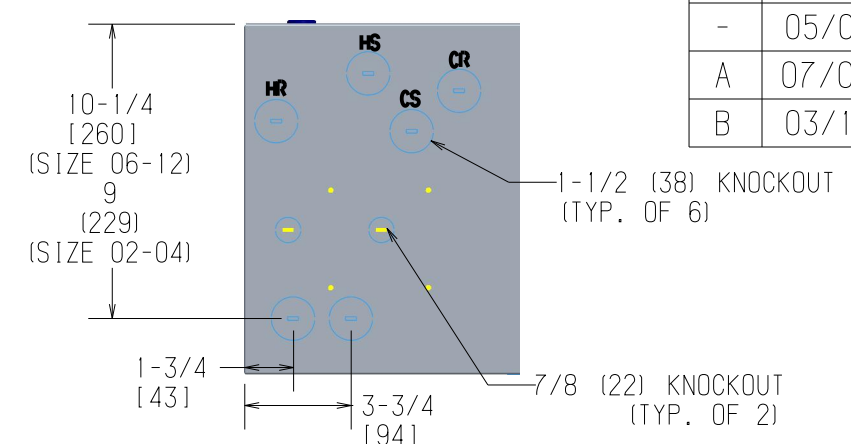


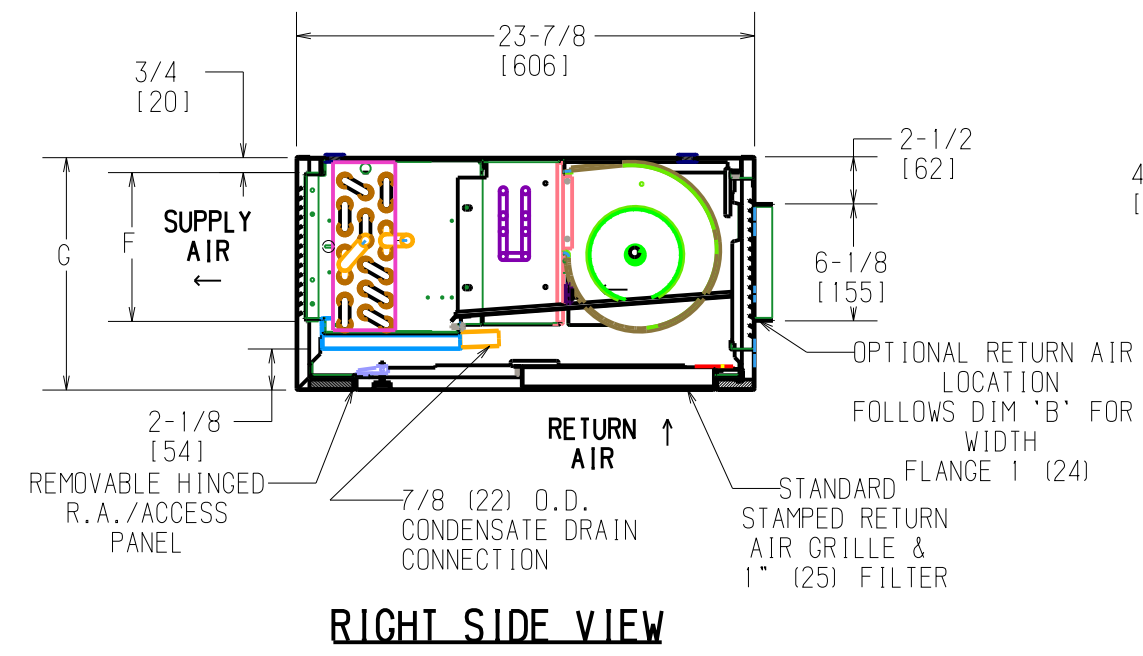
REVISION HISTORY		
REV	DATE	ECN
-	05/01/18	18-0608
A	07/07/20	20-0643
B	03/11/21	21-0295



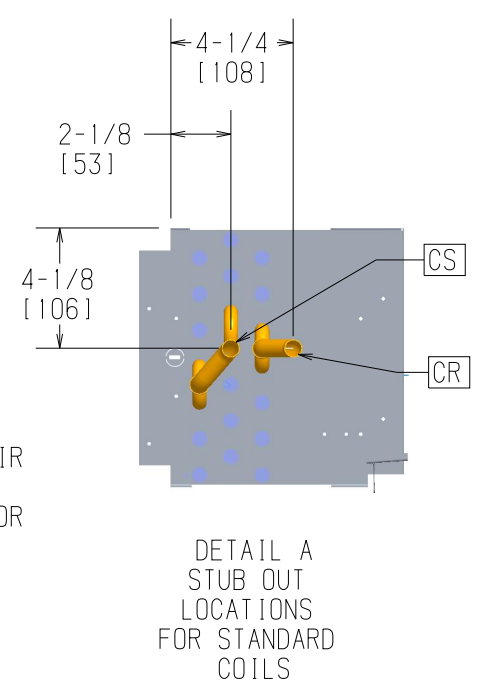
STRIP HEATER HIGH LIMIT
 ELECTRIC STRIP HEATER ELEMENT
 OPTIONAL "L" SHAPED DRIP LIP, SHIPPED LOOSE (NOTE 4)
 CHILLED SUPPLY & RETURN CONNECTIONS (SEE SUPPLEMENTAL DRAWING FOR COIL STUBOUT LOCATIONS)



PARTIAL REAR VIEW
 (TYPICAL BOTH SIDES)
 SEE VLV PKG SUPPLEMENT FOR DIMS



RIGHT SIDE VIEW



DETAIL A
 STUB OUT LOCATIONS FOR STANDARD COILS

- NOTES:
 1. RH SHOWN, LH OPPOSITE.
 2. ALL DIMENSIONS ARE +/- .25 (6). DRAWING NOT TO SCALE.
 3. PRODUCT SPECIFICATIONS ARE SUBJECT TO CHANGE WITHOUT NOTICE.
 4. DRIP LIP RECOMMENDED, PROVIDED WHEN VALVE PKG IS ORDERED.
 5. CONTROL BOX SIZE AND POSITION MAY VARY (CONSULT FACTORY)
 6. POSITION MAY VARY.
 7. SERVICE ACCESS IS LOCATED ON THE FRONT OF THE CONTROL BOX.
 8. KNOCKOUTS ON THE BOTTOM AND SIDE OF THE CONTROL BOX FOR INCOMING POWER CONNECTIONS
 9. TYPICAL SIZE 06 UNIT SHOWN WITH 1-MOTOR AND 2-BLWR - REFER TO TABLE FOR VARIATION.
 10. SEE VALVE PACKAGE SUPPLEMENTAL FOR PIPING TERMINATION.
 11. FIELD CONNECTION PIPES WILL BE SHIPPED LOOSE WITH VALVE PACKAGES.

FRONT VIEW

TOP VIEW

Unit Model	Dimensions - Inches (Millimeters)						Quantity/Unit	
	A	B	C	E	F	G	BLWR	MOTOR
CXB 02	38 (965)	17-1/8 (435)	10-7/16 (265)	34 (864)	5-3/4 (146)	11 (279)	1	1
CXB 03	42 (1067)	21-1/2 (546)	10-1/4 (260)	38 (965)	5-3/4 (146)	11 (279)	1	1
CXB 04	48 (1219)	25-7/8 (657)	11-1/16 (281)	44 (1118)	5-3/4 (146)	11 (279)	2	1
CXB 06	53 (1346)	34-5/8 (879)	9-3/16 (233)	49 (1245)	6-3/4 (171)	12 (305)	2	1
CXB 08	60 (1524)	39 (991)	10-1/2 (267)	56 (1422)	6-3/4 (171)	12 (305)	2	1
CXB 10	74 (1880)	52-1/8 (1324)	10-15/16 (262)	70 (1778)	6-3/4 (171)	12 (305)	4	2
CXB 12	82 (2083)	60-7/8 (1546)	10-9/16 (268)	78 (1981)	6-3/4 (171)	12 (305)	4	2

TITLE
 CXB HORIZONTAL CABINET W/ELEC HEAT

DWG NO
1100-90041398

REV
B

DRAWN J.Fuson	DATE 03/29/21	APPROVED S.STOTTS	DATE 03/29/21
------------------	------------------	----------------------	------------------