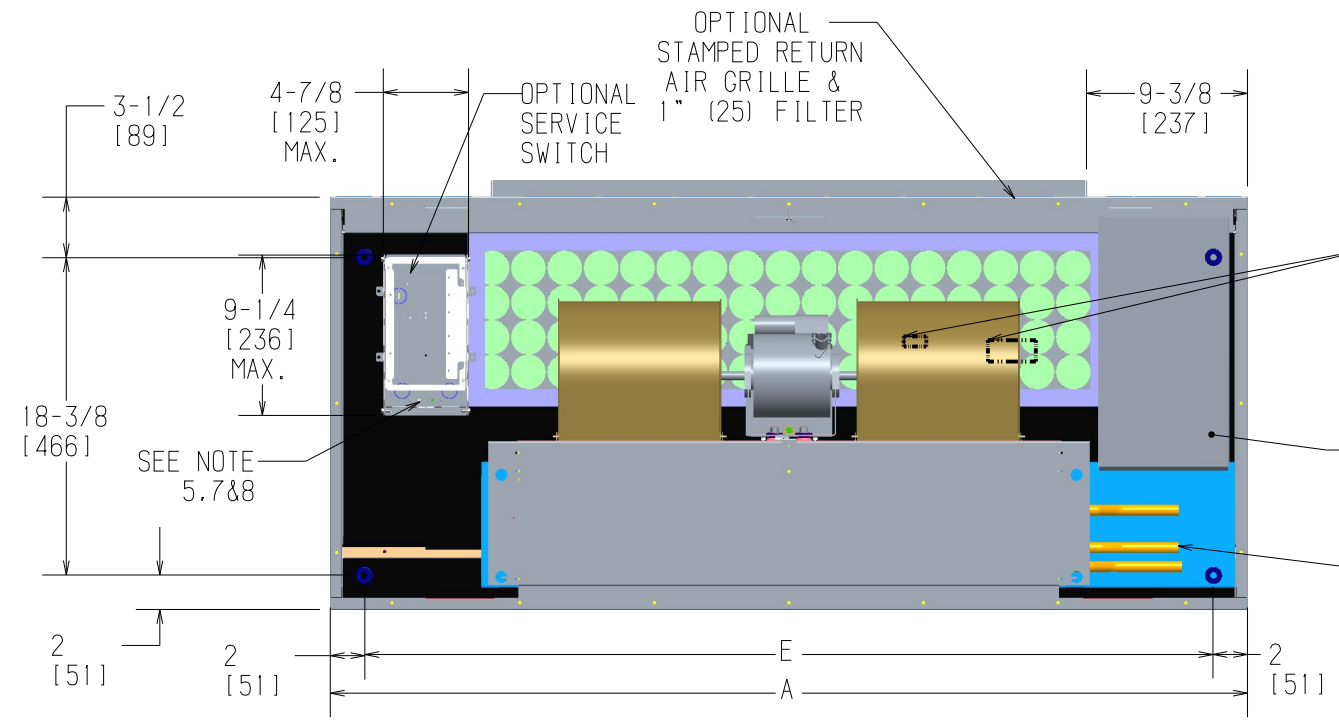
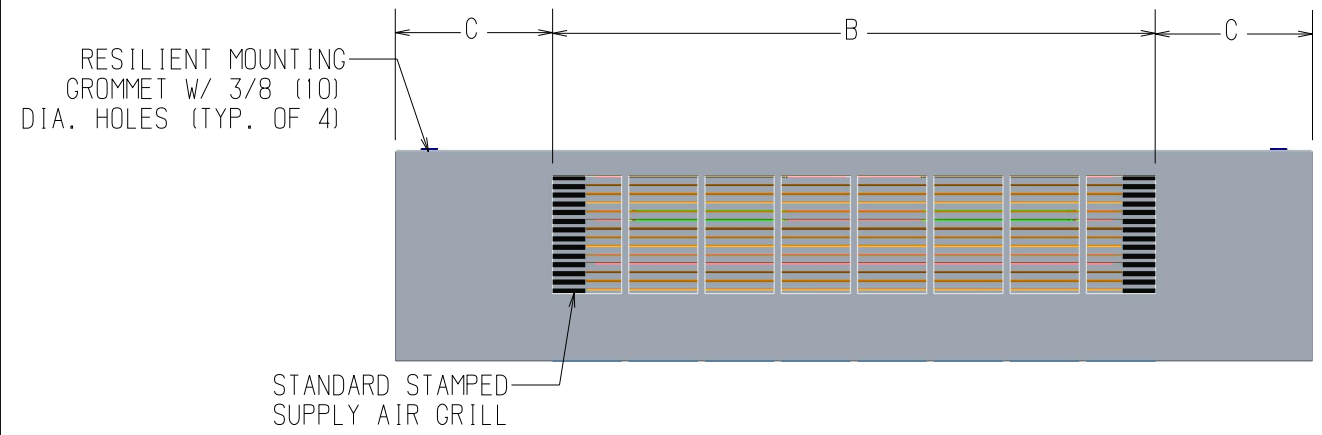


REVISION HISTORY		
REV	DATE	ECN
-	05/01/18	18-0608
A	07/07/20	20-0643
B	03/11/21	21-0295



**TOP VIEW**

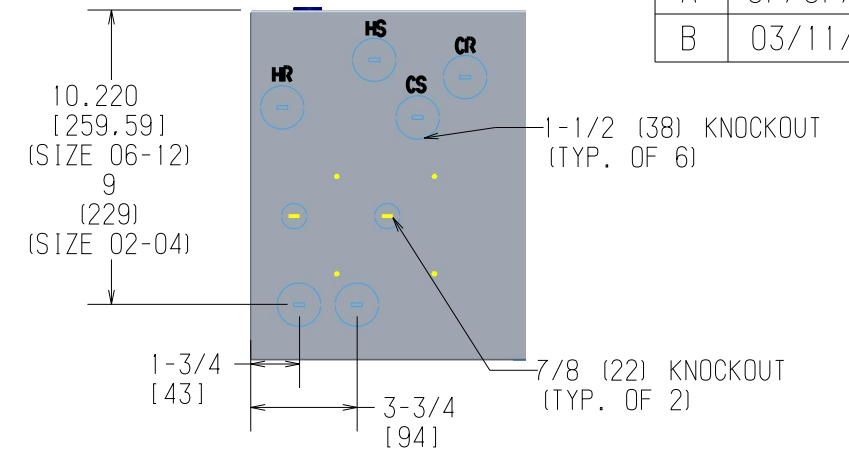


**FRONT VIEW**

UNIT LABEL AND WIRING DIAGRAM (SEE NOTE 6)

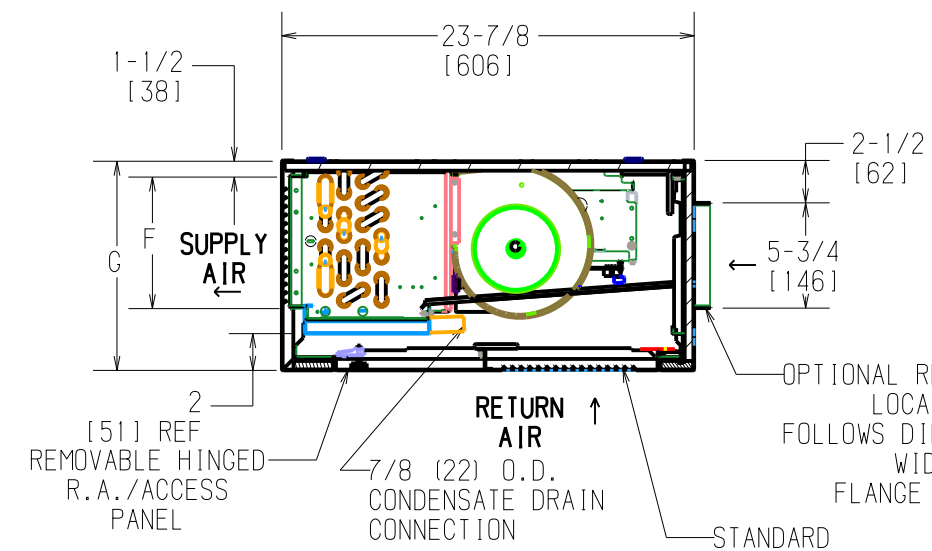
OPTIONAL "L" SHAPED DRIP LIP, SHIPPED LOOSE (NOTE 4)

CHILLED/HOT WATER SUPPLY & RETURN CONNECTIONS (SEE SUPPLEMENTAL DRAWING FOR COIL STUBOUT LOCATIONS)

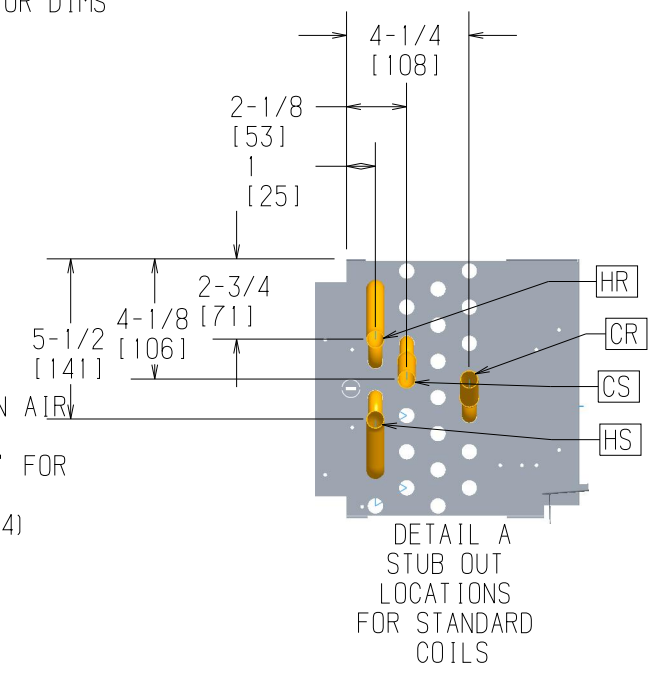


**PARTIAL REAR VIEW**

(TYPICAL BOTH SIDES) SEE VLV PKG SUPPLEMENT FOR DIMS



**RIGHT SIDE VIEW**



- NOTES:
1. RH SHOWN, LH OPPOSITE.
  2. ALL DIMENSIONS ARE +/- .25 (6). DRAWING NOT TO SCALE.
  3. PRODUCT SPECIFICATIONS ARE SUBJECT TO CHANGE WITHOUT NOTICE.
  4. DRIP LIP RECOMMENDED. PROVIDED WHEN VALVE PKG IS ORDERED.
  5. CONTROL BOX SIZE AND POSITION MAY VARY (CONSULT FACTORY)
  6. POSITION MAY VARY.
  7. SERVICE ACCESS IS LOCATED ON THE FRONT OF THE CONTROL BOX.
  8. KNOCKOUTS ON THE BOTTOM AND SIDE OF THE CONTROL BOX FOR INCOMING POWER CONNECTIONS
  9. TYPICAL SIZE 06 UNIT SHOWN WITH 1-MOTOR AND 2-BLWR - REFER TO TABLE FOR VARIATION.
  10. SEE VALVE PACKAGE SUPPLEMENTAL FOR PIPING TERMINATION.
  11. FIELD CONNECTION PIPES WILL BE SHIPPED LOOSE WITH VALVE PACKAGES.

Unit Model	Dimensions - Inches (Millimeters)						Quantity/Unit	
	A	B	C	E	F	G	BLWR	MOTOR
CXB 02	38 (965)	17-1/8 (435)	10-7/16 (265)	34 (864)	5-3/4 (146)	11 (279)	1	1
CXB 03	42 (1067)	21-1/2 (546)	10-1/4 (260)	38 (965)	5-3/4 (146)	11 (279)	1	1
CXB 04	48 (1219)	25-7/8 (657)	11-1/16 (281)	44 (1118)	5-3/4 (146)	11 (279)	2	1
CXB 06	53 (1346)	34-5/8 (879)	9-3/16 (233)	49 (1245)	6-3/4 (171)	12 (305)	2	1
CXB 08	60 (1524)	39 (991)	10-1/2 (267)	56 (1422)	6-3/4 (171)	12 (305)	2	1
CXB 10	74 (1880)	52-1/8 (1324)	10-15/16 (262)	70 (1778)	6-3/4 (171)	12 (305)	4	2
CXB 12	82 (2083)	60-7/8 (1546)	10-9/16 (268)	78 (1981)	6-3/4 (171)	12 (305)	4	2

TITLE

**CXB HORIZONTAL CABINET**

DWG NO **1100-90041397**

REV <b>B</b>								
<table border="1" style="width: 100%;"> <tr> <th>DRAWN</th> <th>DATE</th> <th>APPROVED</th> <th>DATE</th> </tr> <tr> <td>J. Fuson</td> <td>03/29/21</td> <td>S. STOTTS</td> <td>03/29/21</td> </tr> </table>	DRAWN	DATE	APPROVED	DATE	J. Fuson	03/29/21	S. STOTTS	03/29/21
DRAWN	DATE	APPROVED	DATE					
J. Fuson	03/29/21	S. STOTTS	03/29/21					