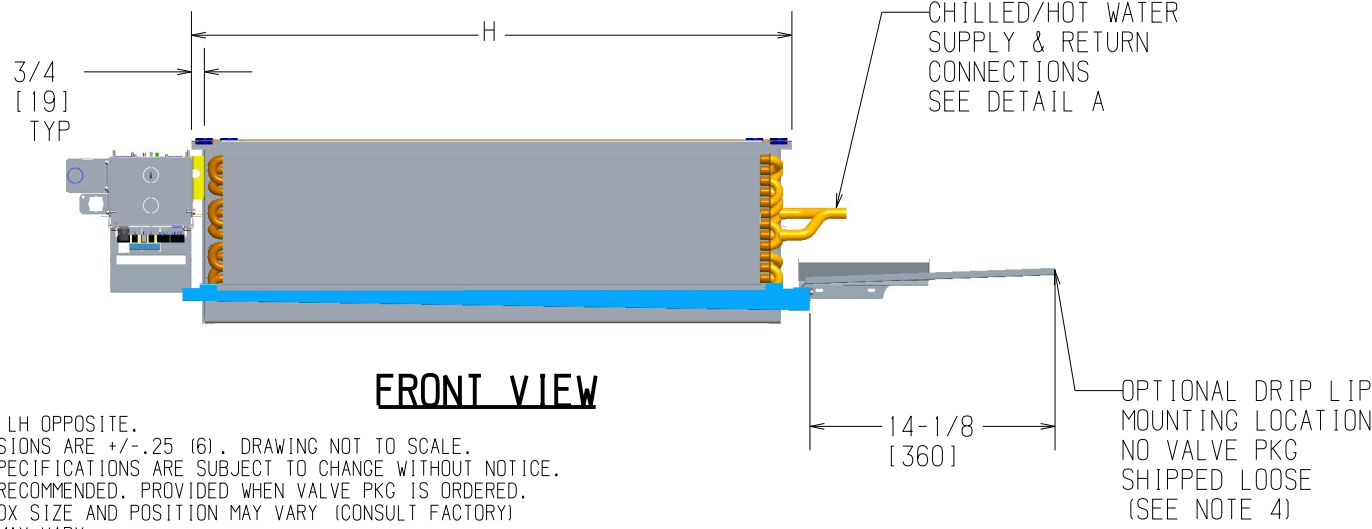
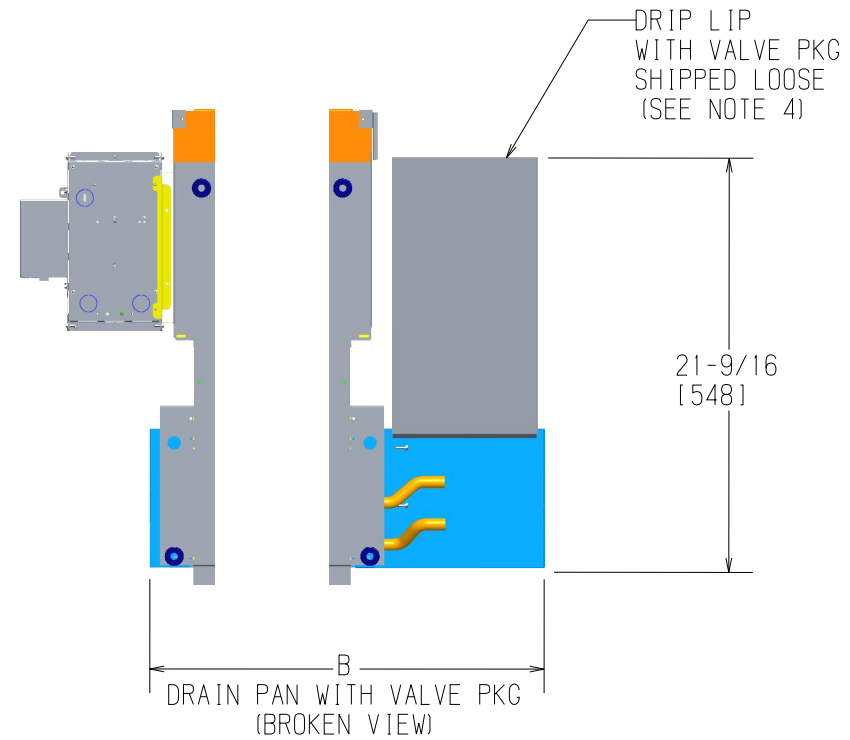


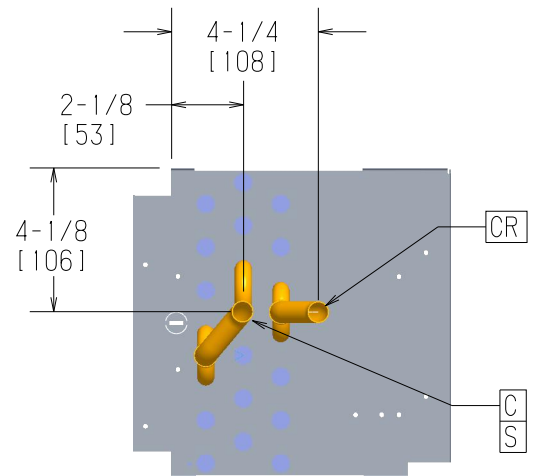
**TOP VIEW**



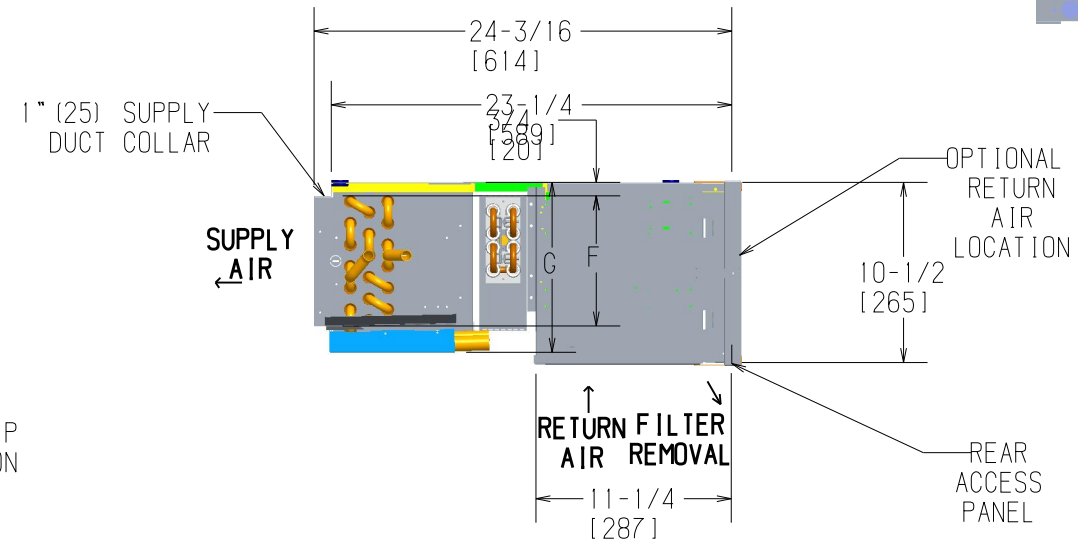
**FRONT VIEW**



**RIGHT SIDE VIEW**



DETAIL A  
 STUB OUT LOCATIONS FOR STANDARD COILS



- NOTES:  
 1. RH SHOWN, LH OPPOSITE.  
 2. ALL DIMENSIONS ARE +/- .25 (6). DRAWING NOT TO SCALE.  
 3. PRODUCT SPECIFICATIONS ARE SUBJECT TO CHANGE WITHOUT NOTICE.  
 4. DRIP LIP RECOMMENDED. PROVIDED WHEN VALVE PKG IS ORDERED.  
 5. CONTROL BOX SIZE AND POSITION MAY VARY (CONSULT FACTORY)  
 6. POSITION MAY VARY.  
 7. SERVICE ACCESS IS LOCATED ON THE FRONT OF THE CONTROL BOX.  
 8. KNOCKOUTS ON THE BOTTOM AND SIDE OF THE CONTROL BOX FOR INCOMING POWER CONNECTIONS  
 9. TYPICAL SIZE 06 UNIT SHOWN WITH 1-MOTOR AND 2-BLWR - REFER TO TABLE FOR VARIATION.  
 10. SEE VALVE PACKAGE SUPPLEMENTAL FOR PIPING TERMINATION.

REVISION HISTORY		
REV	DATE	ECN
-	05/01/18	18-0608
A	05/21/20	20-0490
B	07/07/20	20-0643
C	03/11/21	21-0295

Unit Model	Dimensions - Inches (Millimeters)										Quantity/Unit	
	A	B	C	E	F	G	H	J	K	L	BLWR	MOTOR
CPY 02	21-1/4 (540)	28-1/2 (724)	16 (406)	18-1/4 (464)	6-1/4 (159)	8-3/4 (222)	19-3/4 (502)	38 (965)	15-3/8 (391)	18-1/4 (464)	1	1
CPY 03	25-1/4 (641)	32-1/2 (826)	20 (508)	22-1/4 (565)	6-1/4 (159)	8-3/4 (222)	23-3/4 (603)	38 (965)	19-3/8 (493)	22-1/4 (565)	1	1
CPY 04	31-1/4 (794)	38-1/2 (978)	26 (660)	28-1/4 (718)	6-1/4 (159)	8-3/4 (222)	29-3/4 (756)	38 (965)	25-3/8 (654)	28-1/4 (718)	2	1
CPY 06	36-1/4 (921)	43-1/2 (1105)	31 (787)	33-1/4 (845)	7-1/2 (191)	10 (254)	34-3/4 (883)	38 (965)	30-3/8 (772)	33-1/4 (845)	2	1
CPY 08	43-1/4 (1099)	50-1/2 (1283)	38 (965)	40-1/4 (1022)	7-1/2 (191)	10 (254)	41-3/4 (1060)	38 (965)	37-3/8 (950)	40-1/4 (1022)	2	1
CPY 10	57-1/4 (1454)	64-1/2 (1638)	52 (1321)	54-1/4 (1378)	7-1/2 (191)	10 (254)	55-3/4 (1416)	60 (1524)	51-3/8 (1306)	54-1/4 (1378)	4	2
CPY 12	65-1/4 (1657)	72-1/2 (1842)	60 (1524)	62-1/4 (1581)	7-1/2 (191)	10 (254)	63-3/4 (1619)	65 (1651)	59-3/8 (1509)	62-1/4 (1581)	4	2

TITLE  
 CPY HORIZONTAL HIDEAWAY W/PLENUM W/ELEC HEAT

DWG NO  
**1100-90041392**

REV  
**C**

DRAWN J.Fuson	DATE 03/26/21	APPROVED S.STOTTS	DATE 03/26/21
------------------	------------------	----------------------	------------------