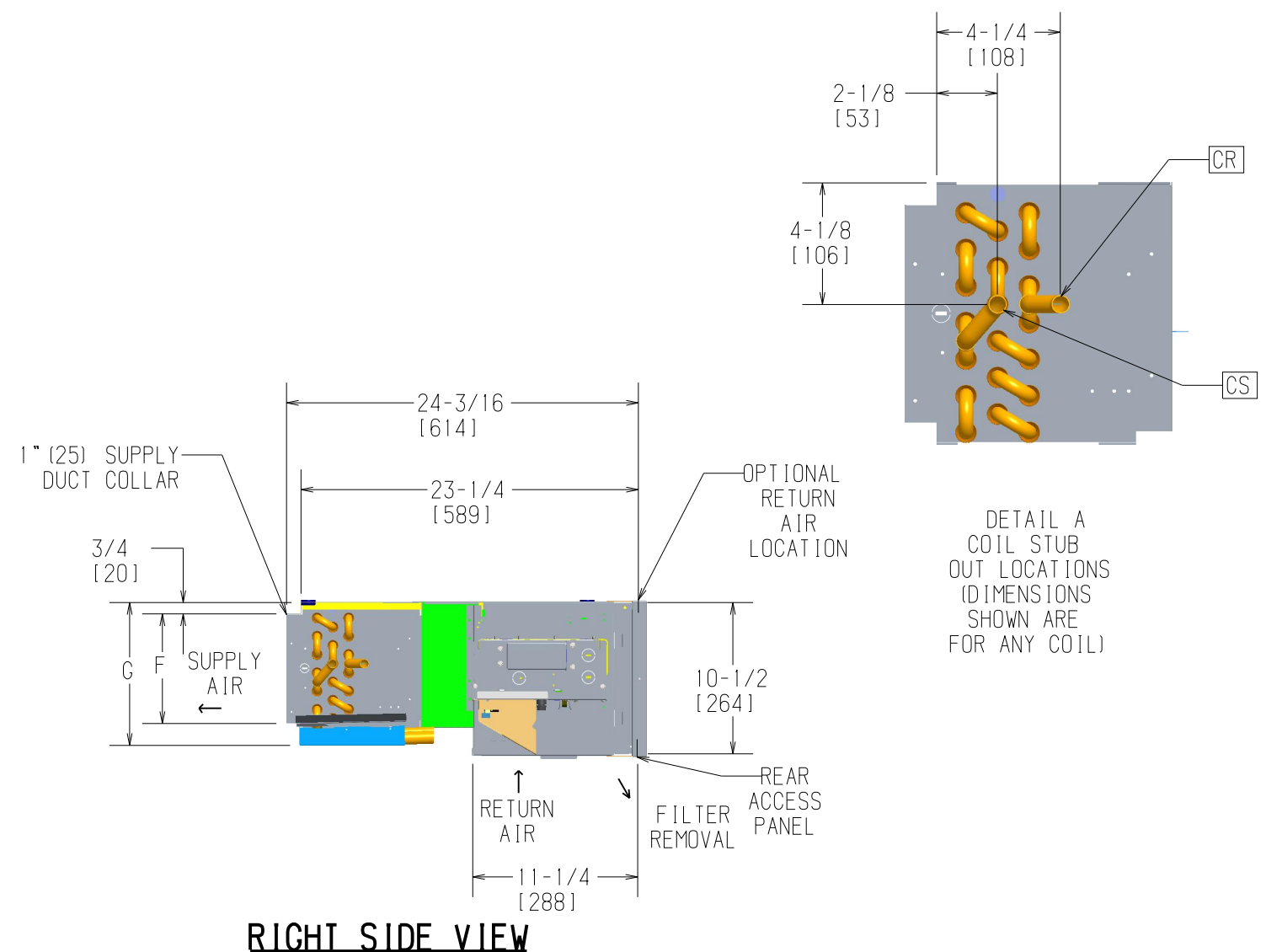
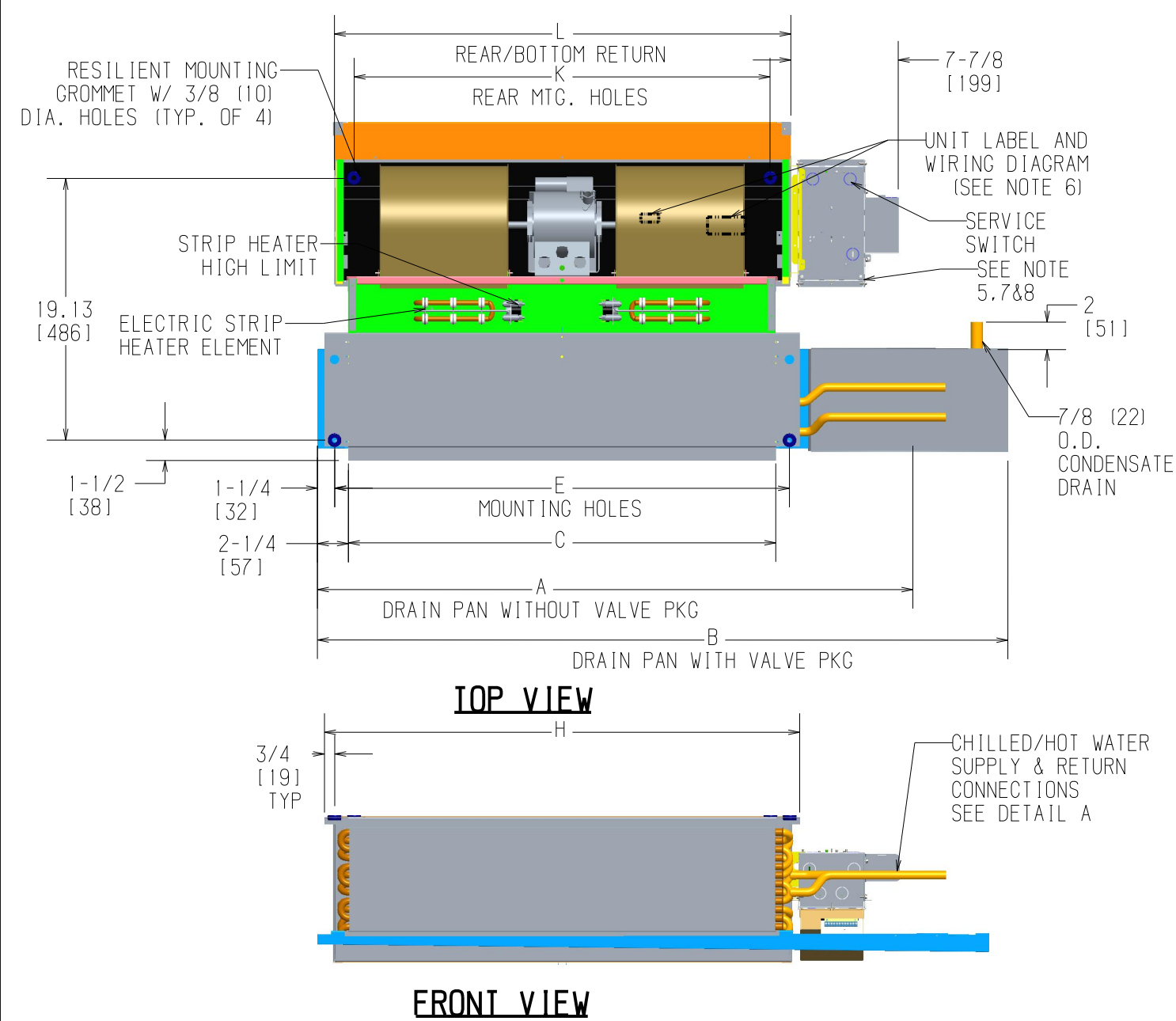


REVISION HISTORY		
REV	DATE	ECN
-	05/01/18	18-0608
A	05/21/20	20-0490
B	07/07/20	20-0643
C	03/11/21	21-0295
D	02/07/22	22-0104



- NOTES:
1. RH SHOWN, LH OPPOSITE.
 2. ALL DIMENSIONS ARE +/- .25 (6). DRAWING NOT TO SCALE.
 3. PRODUCT SPECIFICATIONS ARE SUBJECT TO CHANGE WITHOUT NOTICE.
 4. DRIP LIP RECOMMENDED. PROVIDED WHEN VALVE PKG IS ORDERED.
 5. CONTROL BOX SIZE AND POSITION MAY VARY (CONSULT FACTORY)
 6. POSITION MAY VARY.
 7. SERVICE ACCESS IS LOCATED ON THE BOTTOM OF THE CONTROL BOX.
 8. KNOCKOUTS ON THE BOTTOM AND SIDE OF THE CONTROL BOX FOR INCOMING POWER CONNECTIONS
 9. TYPICAL SIZE 06 UNIT SHOWN WITH 1-MOTOR AND 2-BLWR - REFER TO TABLE FOR VARIATION.
 10. SEE VALVE PACKAGE SUPPLEMENTAL FOR PIPING TERMINATION.

Unit Model	Dimensions - Inches (Millimeters)										Quantity/Unit	
	A	B	C	E	F	G	H	K	L	BLWR	MOTOR	
CPY 02	28 1/2 (724)	34 (864)	16 (406)	18-1/4 (464)	6-1/4 (159)	8-3/4 (222)	19-3/4 (502)	15-3/8 (391)	18-1/4 (464)	1	1	
CPY 03	32 1/2 (826)	38 (965)	20 (508)	22-1/4 (565)	6-1/4 (159)	8-3/4 (222)	23-3/4 (603)	19-3/8 (493)	22-1/4 (565)	1	1	
CPY 04	38 1/2 (826)	44 (1118)	26 (660)	28-1/4 (718)	6-1/4 (159)	8-3/4 (222)	29-3/4 (756)	25-3/8 (654)	28-1/4 (718)	2	1	
CPY 06	43 1/2 (1105)	49 (1245)	31 (787)	33-1/4 (845)	7-1/2 (191)	10 (254)	34-3/4 (883)	30-3/8 (772)	33-1/4 (845)	2	1	
CPY 08	50 1/2 (1283)	56 (1422)	38 (965)	40-1/4 (1022)	7-1/2 (191)	10 (254)	41-3/4 (1060)	37-3/8 (950)	40-1/4 (1022)	2	1	
CPY 10	64 1/2 (1638)	70 (1778)	52 (1321)	54-1/4 (1378)	7-1/2 (191)	10 (254)	55-3/4 (1416)	51-3/8 (1306)	54-1/4 (1378)	4	2	
CPY 12	72 1/2 (1842)	78 (1981)	60 (1524)	62-1/4 (1581)	7-1/2 (191)	10 (254)	63-3/4 (1619)	59-3/8 (1509)	62-1/4 (1581)	4	2	

IEC
International Environmental

TITLE
CPY HORIZONTAL HIDEAWAY W/PLENUM W/ELEC HEAT
SAME SIDE CONTROLS/PIPING

DWG NO
1100-90041643

REV
D

DRAWN
K.LIETZ

DATE
02/13/20

APPROVED
S.STOTTS

DATE
02/13/20