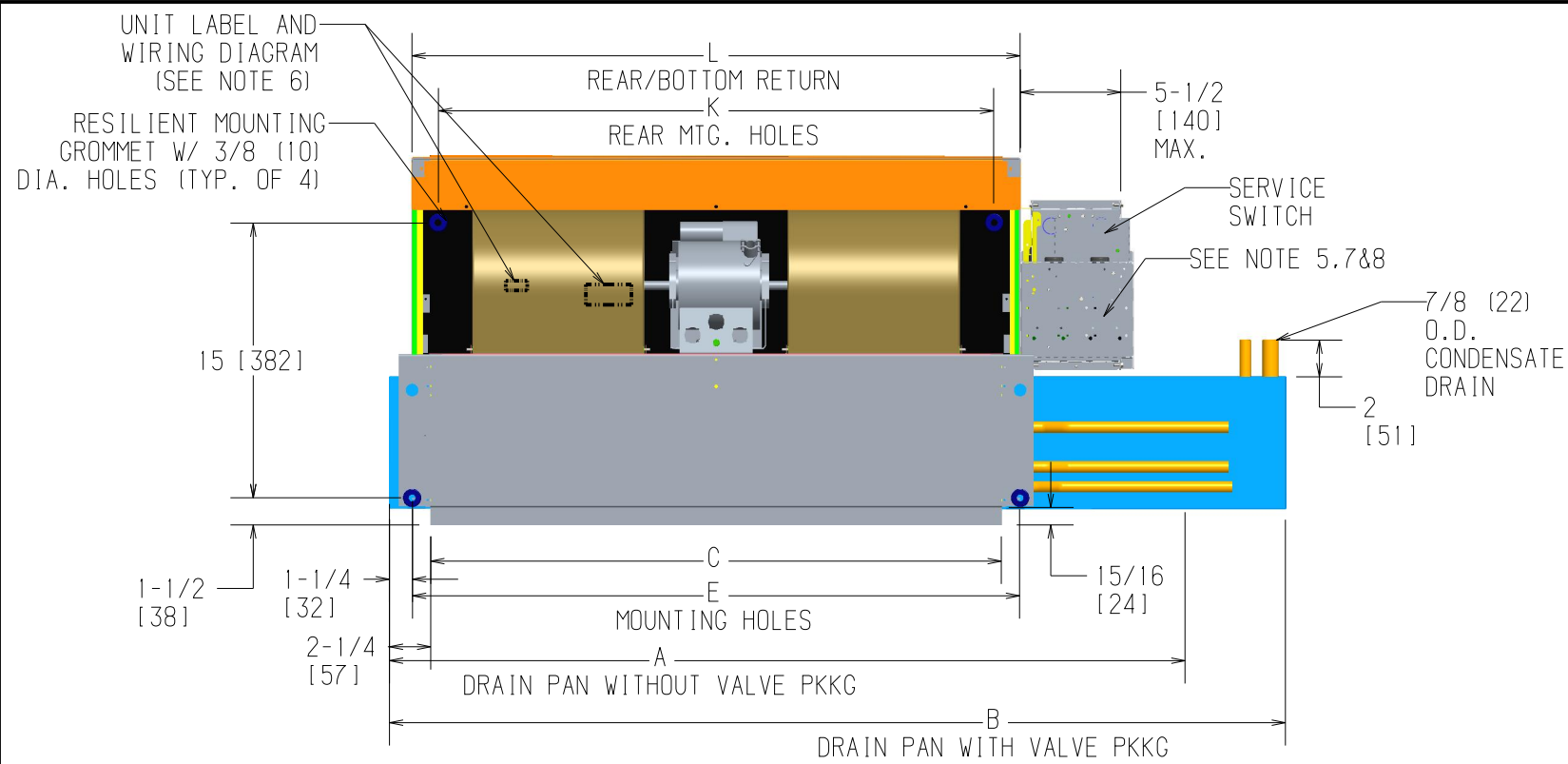
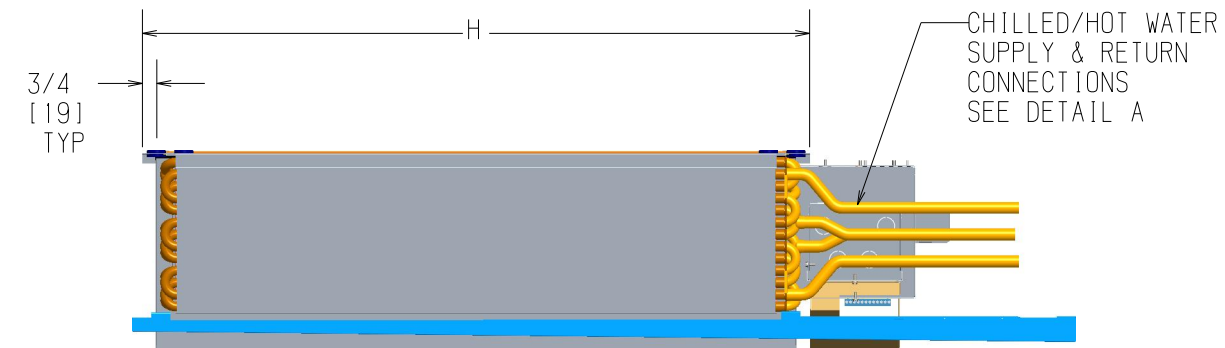


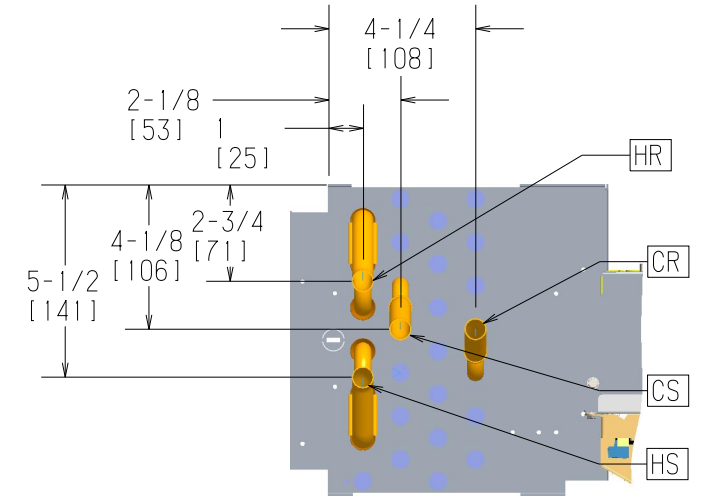
REVISION HISTORY		
REV	DATE	ECN
-	05/01/18	18-0608
A	05/21/20	20-0490
B	07/07/20	20-0643
C	03/11/21	21-0295
D	02/07/22	22-0104



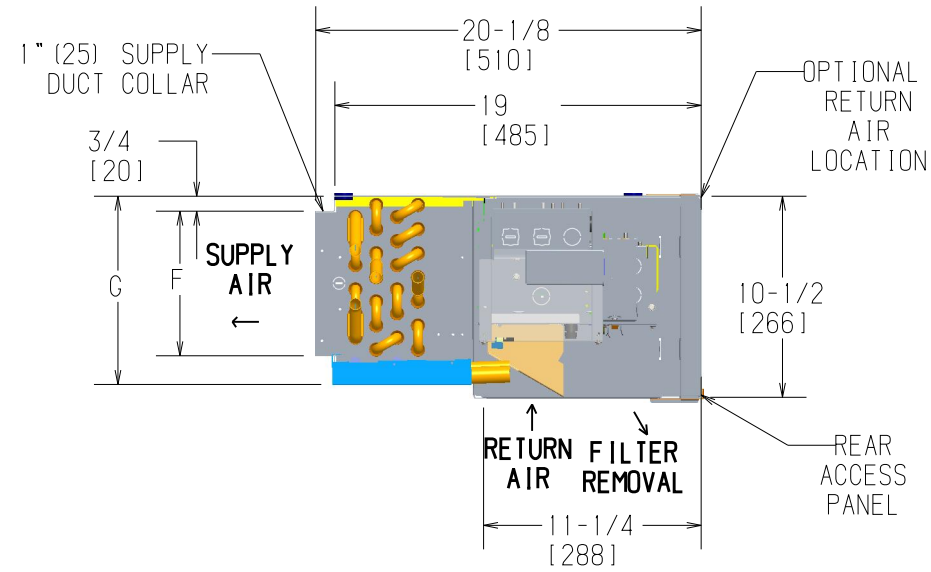
**TOP VIEW**



**FRONT VIEW**



DETAIL A  
COIL STUB OUT LOCATIONS (DIMENSIONS SHOWN ARE FOR ANY COIL)



**RIGHT SIDE VIEW**

- NOTES:
1. RH SHOWN, LH OPPOSITE.
  2. ALL DIMENSIONS ARE +/- .25 (6). DRAWING NOT TO SCALE.
  3. PRODUCT SPECIFICATIONS ARE SUBJECT TO CHANGE WITHOUT NOTICE.
  4. DRIP LIP RECOMMENDED. STANDARD WHEN VALVE PKG IS ORDERED.
  5. CONTROL BOX SIZE AND POSITION MAY VARY (CONSULT FACTORY)
  6. POSITION MAY VARY.
  7. SERVICE ENTRANCE IS LOCATED ON THE BOTTOM OF THE CONTROL BOX WITH KNOCKOUTS.
  8. UNITS WITHOUT SERVICE SWITCH USE THE KNOCKOUTS ON THE REAR SIDE OF THE CONTROL BOX.
  9. TYPICAL SIZE 06 UNIT SHOWN WITH 1-MOTOR AND 2-BLWR - REFER TO TABLE FOR VARIATION.
  10. SEE VALVE PACKAGE SUPPLEMENTAL FOR PIPING TERMINATION.

Unit Model	Dimensions - Inches (Millimeters)										Quantity/Unit	
	A	B	C	E	F	G	H	K	L	BLWR	MOTOR	
CPY 02	28 1/2 (724)	34 (864)	16 (406)	18-1/4 (464)	6-1/4 (159)	8-3/4 (222)	19-3/4 (502)	15-3/8 (391)	18-1/4 (464)	1	1	
CPY 03	32 1/2 (826)	38 (965)	20 (508)	22-1/4 (565)	6-1/4 (159)	8-3/4 (222)	23-3/4 (603)	19-3/8 (493)	22-1/4 (565)	1	1	
CPY 04	38 1/2 (826)	44 (1118)	26 (660)	28-1/4 (718)	6-1/4 (159)	8-3/4 (222)	29-3/4 (756)	25-3/8 (654)	28-1/4 (718)	2	1	
CPY 06	43 1/2 (1105)	49 (1245)	31 (787)	33-1/4 (845)	7-1/2 (191)	10 (254)	34-3/4 (883)	30-3/8 (772)	33-1/4 (845)	2	1	
CPY 08	50 1/2 (1283)	56 (1422)	38 (965)	40-1/4 (1022)	7-1/2 (191)	10 (254)	41-3/4 (1060)	37-3/8 (950)	40-1/4 (1022)	2	1	
CPY 10	64 1/2 (1638)	70 (1778)	52 (1321)	54-1/4 (1378)	7-1/2 (191)	10 (254)	55-3/4 (1416)	51-3/8 (1306)	54-1/4 (1378)	4	2	
CPY 12	72 1/2 (1842)	78 (1981)	60 (1524)	62-1/4 (1581)	7-1/2 (191)	10 (254)	63-3/4 (1619)	59-3/8 (1509)	62-1/4 (1581)	4	2	



<p>TITLE</p> <p>CPY HORIZONTAL HIDEAWAY W/PLENUM SAME SIDE CONTROLS/PIPING</p>			
<p>DWG NO</p> <p><b>1100-90041642</b></p>			<p>REV</p> <p><b>D</b></p>
<p>DRAWN</p> <p>J. FUSON</p>	<p>DATE</p> <p>2/13/20</p>	<p>APPROVED</p> <p>S. STOTTS</p>	<p>DATE</p> <p>2/13/20</p>