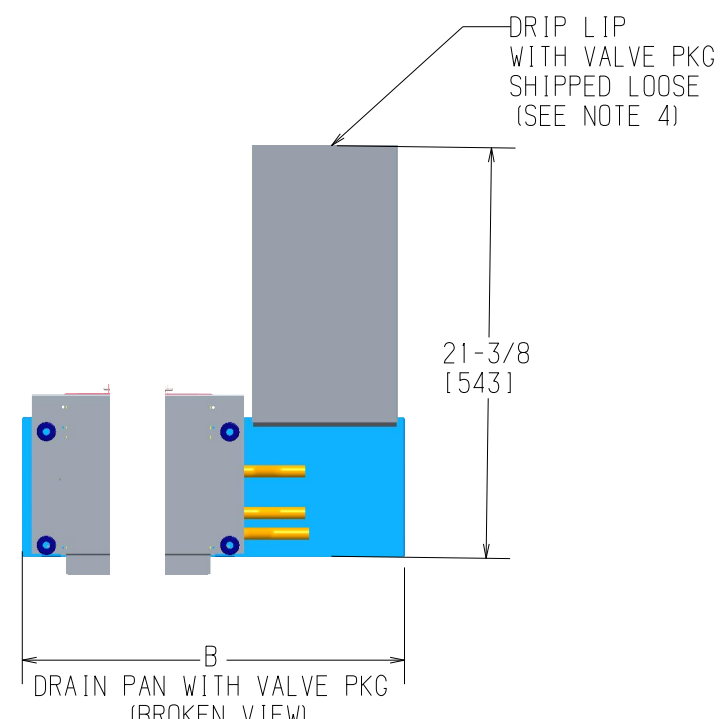
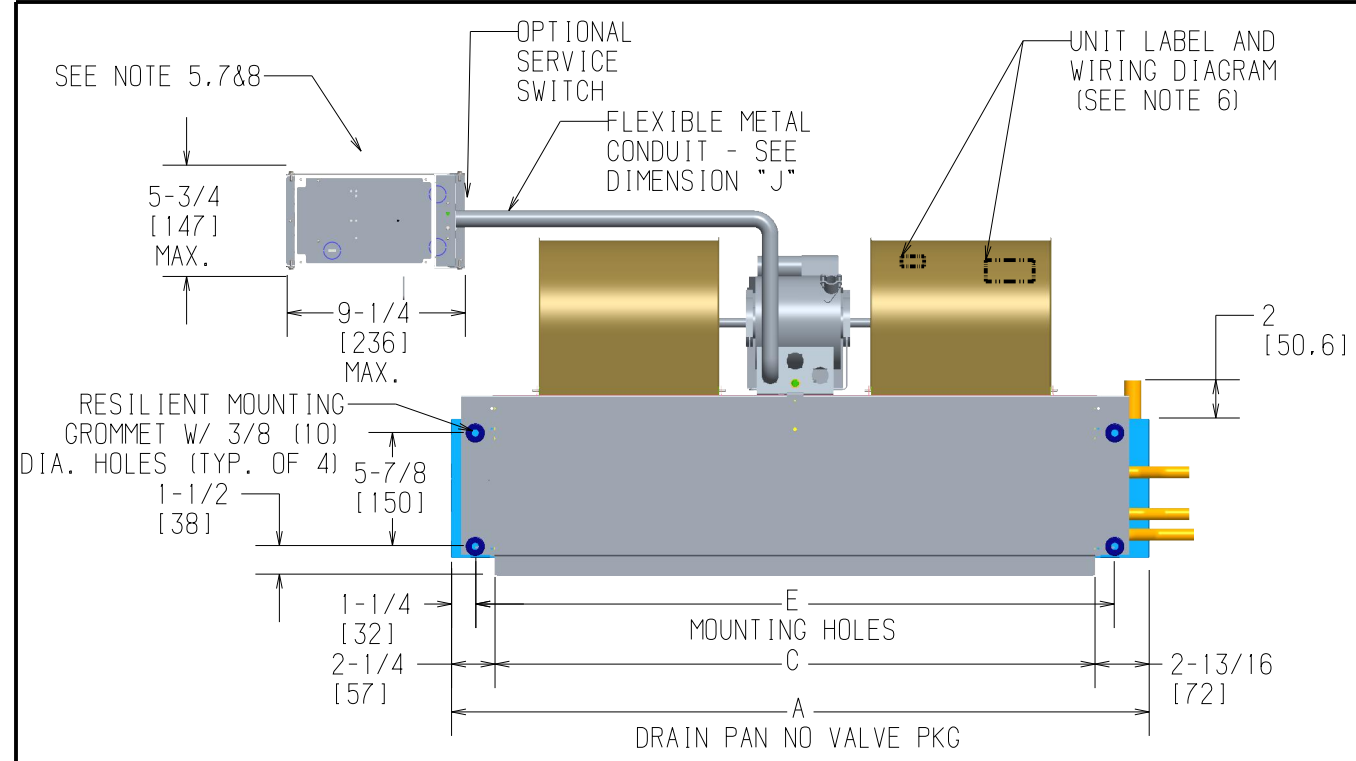
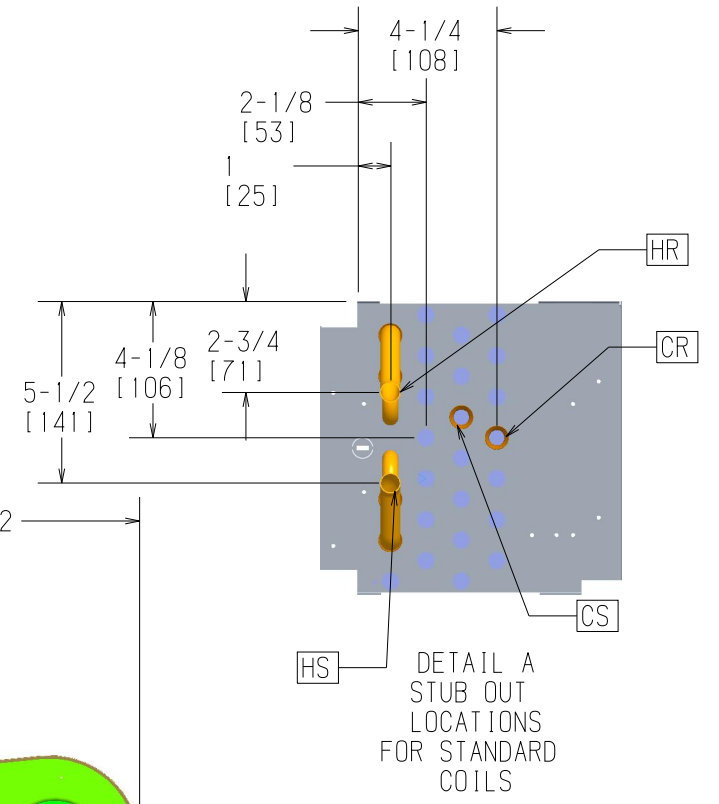


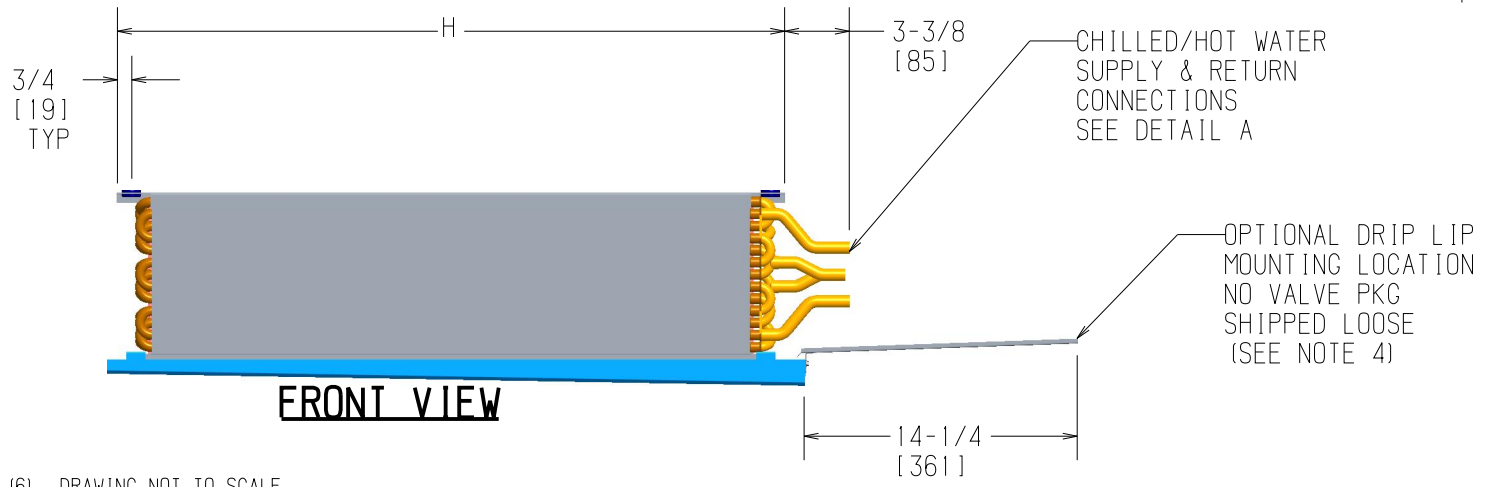
REVISION HISTORY		
REV	DATE	ECN
-	05/01/18	18-0608
A	07/07/20	20-0643
B	03/11/21	21-0295



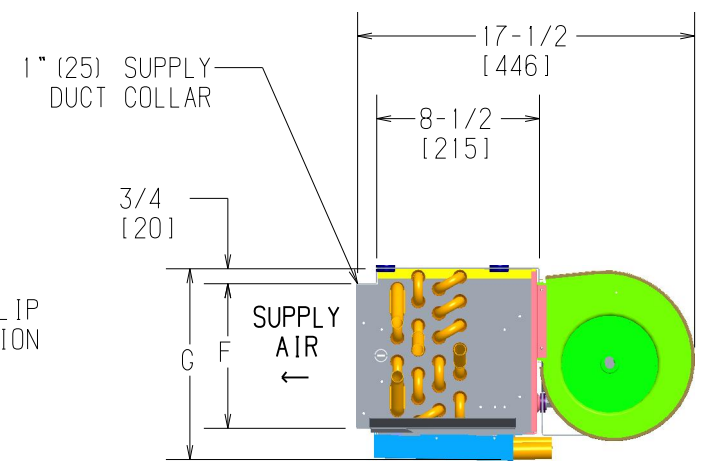
\*FOR OTHER DRAIN PAN OPTIONS SEE SUPPLEMENT\*



**TOP VIEW**



**FRONT VIEW**



**RIGHT SIDE VIEW**

- NOTES:
1. RH SHOWN, LH OPPOSITE.
  2. ALL DIMENSIONS ARE +/- .25 (6). DRAWING NOT TO SCALE.
  3. PRODUCT SPECIFICATIONS ARE SUBJECT TO CHANGE WITHOUT NOTICE.
  4. DRIP LIP RECOMMENDED. PROVIDED WHEN VALVE PKG IS ORDERED.
  5. CONTROL BOX SIZE AND POSITION MAY VARY (CONSULT FACTORY)
  6. POSITION MAY VARY.
  7. SERVICE ACCESS IS LOCATED ON THE FRONT OF THE CONTROL BOX.
  8. KNOCKOUTS ON THE BOTTOM AND SIDE OF THE CONTROL BOX FOR INCOMING POWER CONNECTIONS
  9. TYPICAL SIZE 06 UNIT SHOWN WITH 1-MOTOR AND 2-BLWR - REFER TO TABLE FOR VARIATION.
  10. SEE VALVE PACKAGE SUPPLEMENTAL FOR PIPING TERMINATION.

Unit Model	Dimensions - Inches (Millimeters)								Quantity/Unit	
	A	B	C	E	F	G	H	J	BLWR	MOTOR
CHY 02	21-1/4 (540)	28-1/2 (724)	16 (406)	18-1/4 (464)	6-1/4 (159)	8-3/4 (222)	19-3/4 (502)	38 (965)	1	1
CHY 03	25-1/4 (641)	32-1/2 (826)	20 (508)	22-1/4 (565)	6-1/4 (159)	8-3/4 (222)	23-3/4 (603)	38 (965)	1	1
CHY 04	31-1/4 (794)	38-1/2 (978)	26 (660)	28-1/4 (718)	6-1/4 (159)	8-3/4 (222)	29-3/4 (756)	38 (965)	2	1
CHY 06	36-1/4 (921)	43-1/5 (1105)	31 (787)	33-1/4 (845)	7-1/2 (191)	10 (254)	34-3/4 (883)	38 (965)	2	1
CHY 08	43-1/4 (1099)	50-1/2 (1283)	38 (965)	40-1/4 (1022)	7-1/2 (191)	10 (254)	41-3/4 (1060)	38 (965)	2	1
CHY 10	57-1/4 (1454)	64-1/2 (1638)	52 (1321)	54-1/4 (1378)	7-1/2 (191)	10 (254)	55-3/4 (1416)	60 (1524)	4	2
CHY 12	65-1/4 (1657)	72-1/2 (1842)	60 (1524)	62-1/4 (1581)	7-1/2 (191)	10 (254)	63-3/4 (1619)	65 (1651)	4	2

TITLE: HORIZONTAL HIDEAWAY

DWG NO: **1100-90041389**

REV: **B**

DRAWN: K.LIETZ	DATE: 02/11/20	APPROVED: S.STOTTS	DATE: 02/11/20
----------------	----------------	--------------------	----------------