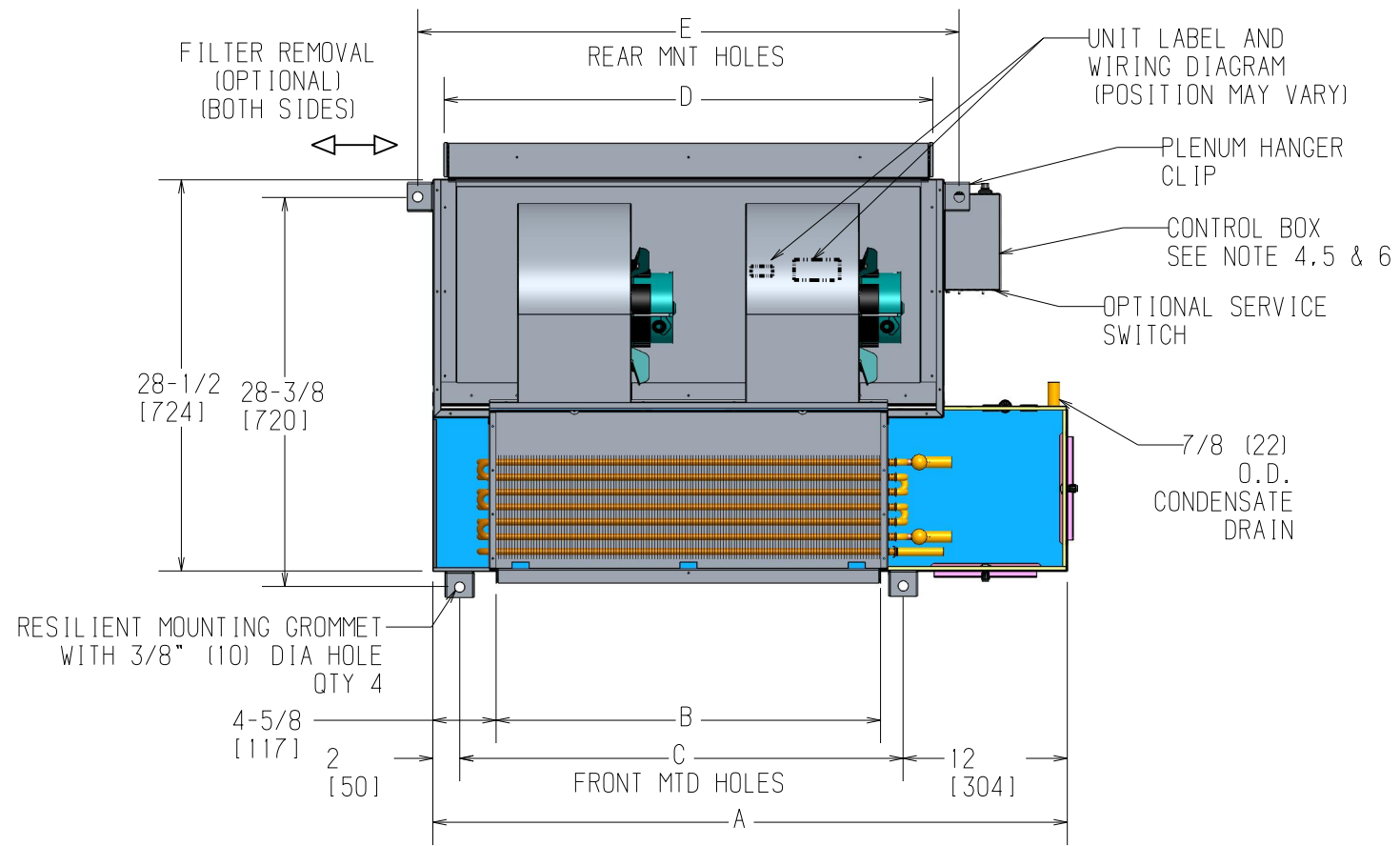
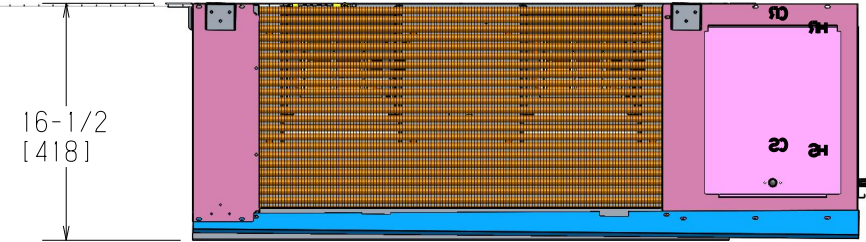


REVISION HISTORY		
REV	DATE	ECN
-	08/05/21	21-1048
A	03/21/22	22-0258

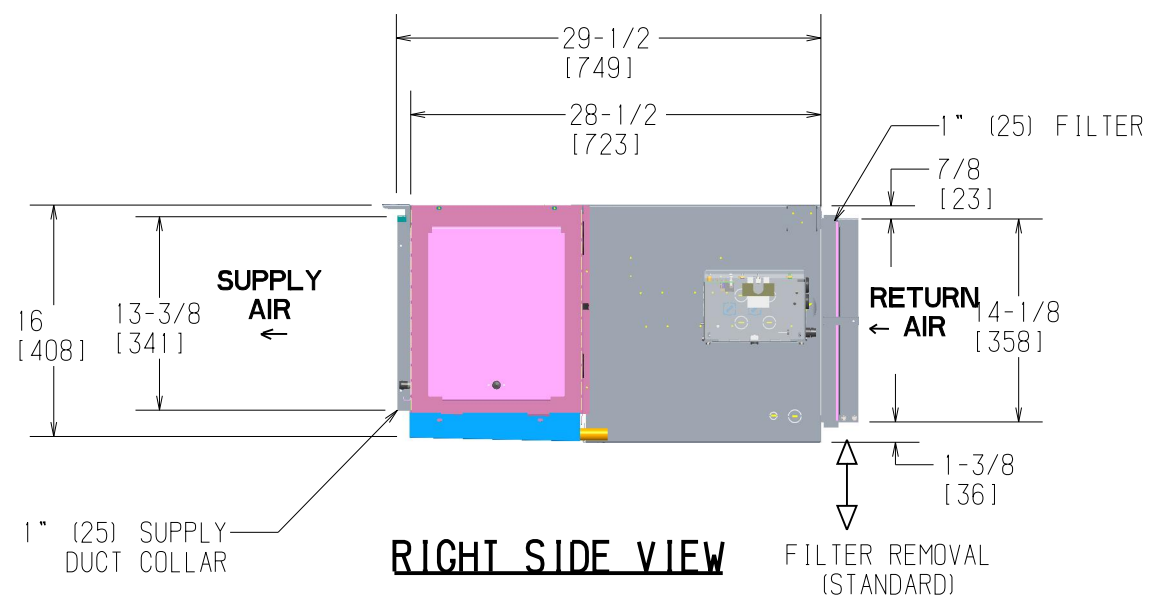
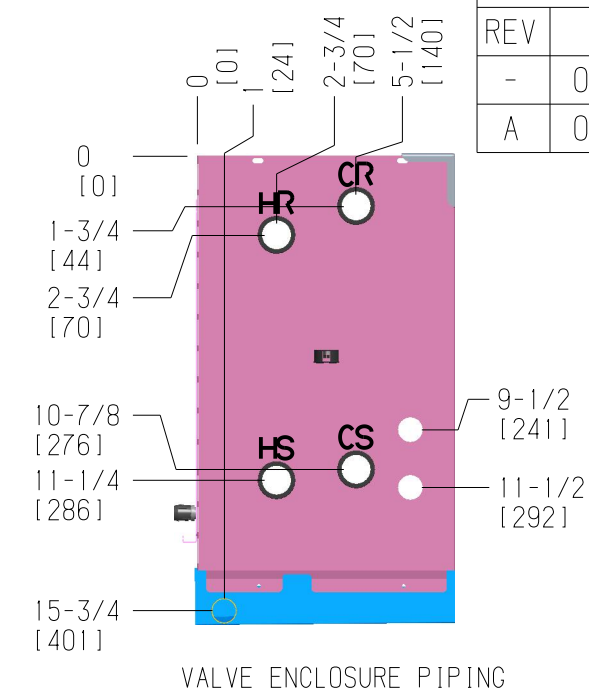


TOP VIEW



FRONT VIEW

- NOTES:
1. RH COIL SHOWN. LH OPPOSITE.
 2. ALL DIMENSIONS ARE +/- .25 (6). DRAWING NOT TO SCALE.
 3. PRODUCT SPECIFICATIONS ARE SUBJECT TO CHANGE WITHOUT NOTICE.
 4. CONTROL BOX SIZE AND POSITION MAY VARY (CONSULT FACTORY)
 5. SERVICE ACCESS IS LOCATED ON THE FRONT OF THE CONTROL BOX.
 6. KNOCKOUTS ON THE BOTTOM AND SIDE OF THE CONTROL BOX FOR INCOMING POWER CONNECTIONS



RIGHT SIDE VIEW

Unit Model	Dimensions					Quantity/Unit	
	A	B	C	D	E	Blower	Motor
HPY 06	32 (813)	14 (356)	18-1/2 (470)	21 (533)	25-1/2 (648)	1	1
HPY 08	37 (940)	19 (483)	23-1/2 (597)	26 (660)	30-1/2 (775)	1	1
HPY 10	41 (1041)	23 (584)	27-1/2 (699)	30 (762)	34-1/2 (877)	1	1
HPY 12	46 (1168)	28 (711)	33-1/2 (851)	35 (889)	39-1/2 (1004)	2	2
HPY 14	51 (1295)	33 (838)	37-1/2 (953)	40 (1016)	44-1/2 (1131)	2	2
HPY 16	56 (1422)	38 (965)	42-1/2 (1079)	45 (1143)	49-1/2 (1258)	2	2
HPY 18	61 (1549)	43 (1092)	47-1/2 (1206)	50 (1270)	54-1/2 (1385)	2	2
HPY 20	65 (1651)	47 (1194)	51-1/2 (1308)	54 (1372)	58-1/2 (1487)	2	2

TITLE HPY HIGH PERFORMANCE HIDEAWAY W/PLENUM
 SS PIPING/CNTRLS VLV ENC

DWG NO 1100-90045583

REV A

DRAWN J. FUSON	DATE 09/01/21	APPROVED J. GRAVES	DATE 09/01/21
-----------------------	----------------------	---------------------------	----------------------