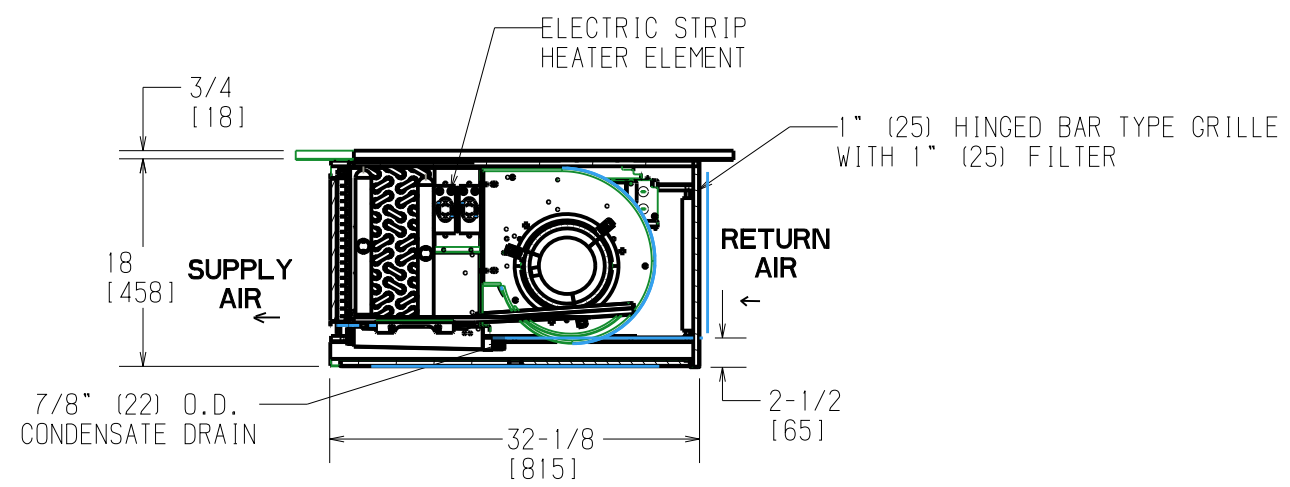
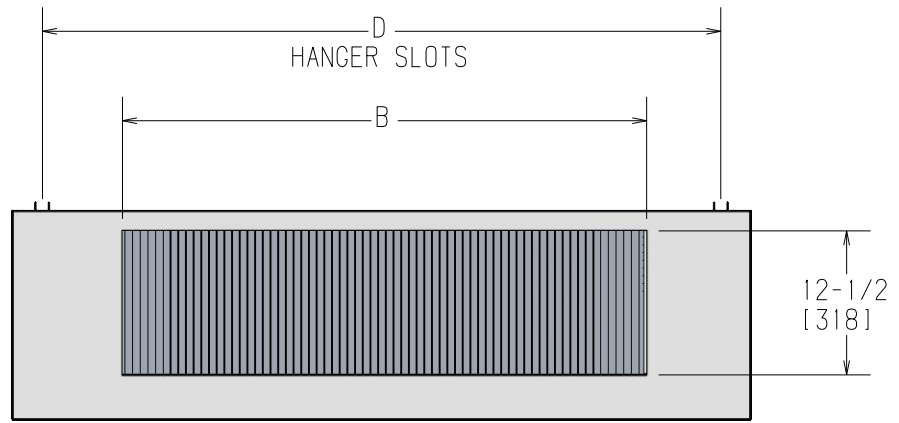
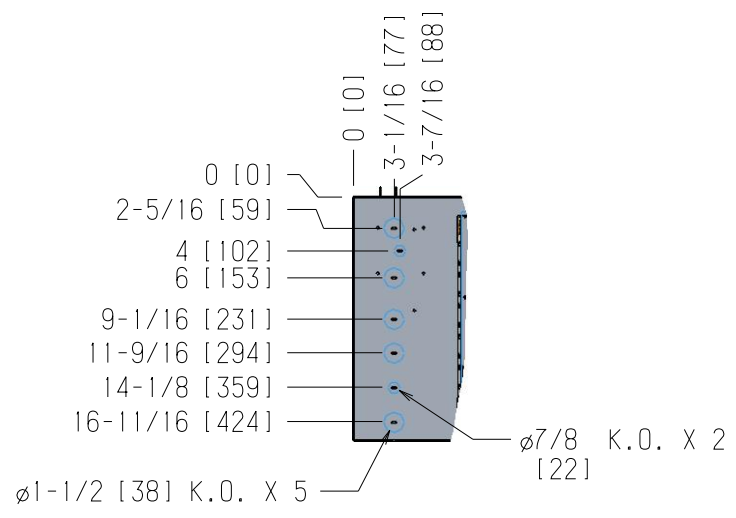
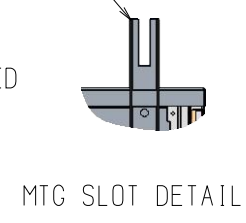
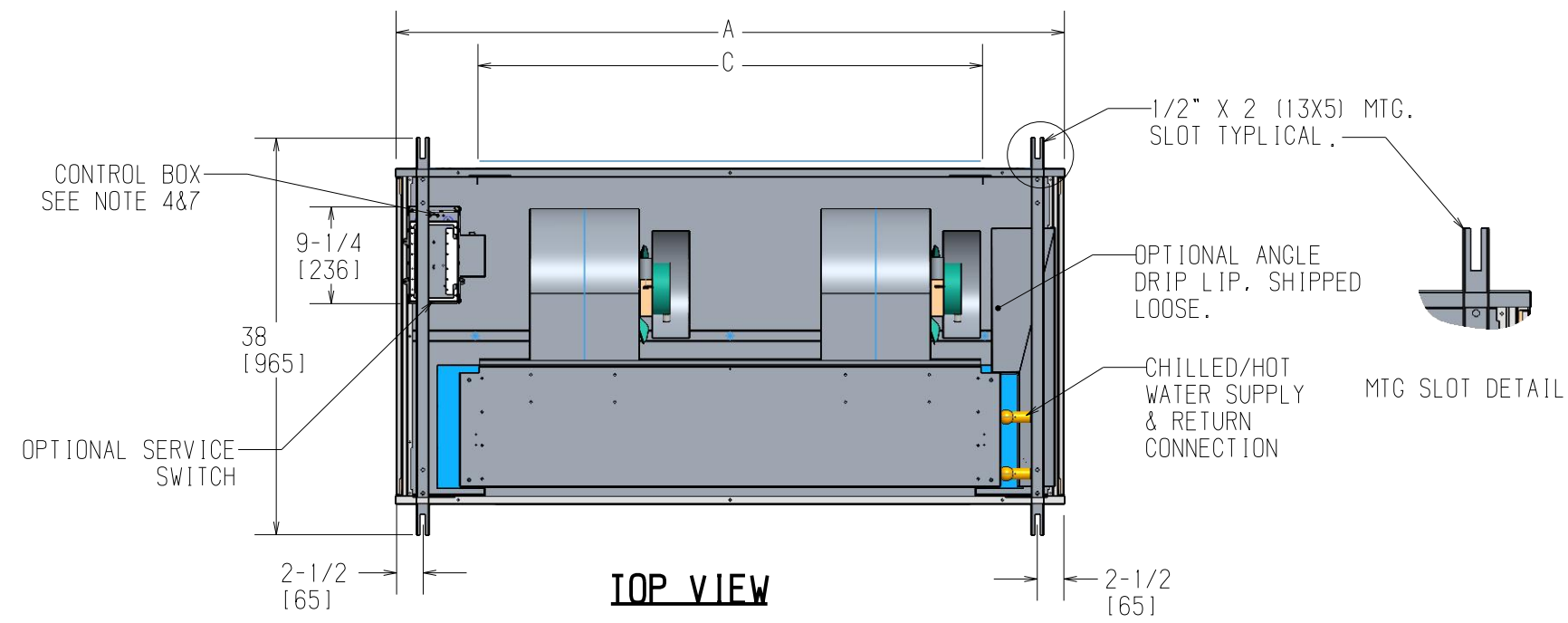


REVISION HISTORY		
REV	DATE	ECN
-	03/11/21	21-0295



- NOTES:
1. RH COIL SHOWN. LH OPPOSITE.
 2. ALL DIMENSIONS ARE +/- .25 (6). DRAWING NOT TO SCALE.
 3. PRODUCT SPECIFICATIONS ARE SUBJECT TO CHANGE WITHOUT NOTICE.
 4. CONTROL BOX SIZE AND POSITION MAY VARY (CONSULT FACTORY)
 5. POSITION MAY VARY.
 6. SERVICE ACCESS IS LOCATED ON THE FRONT OF THE CONTROL BOX.
 7. KNOCKOUTS ON THE BOTTOM AND SIDE OF THE CONTROL BOX FOR INCOMING POWER CONNECTIONS
 8. DRIP LIP RECOMMENDED. REQUIRED WHEN VLVE PKG IS ORDERED.

FRONT VIEW

RIGHT SIDE VIEW

Unit Model	Dimensions - Inches (Millimeters)				Quantity/Unit	
	A	B	C	D	Blower	Motor
HLY 06	31 (787)	13 (330)	14 (356)	26 (660)	1	1
HLY 08	36 (914)	18 (457)	20 (508)	31 (787)	1	1
HLY 10	40 (1016)	22 (558)	24 (610)	35 (889)	1	1
HLY 12	45 (1143)	27 (686)	28 (711)	40 (1016)	2	2
HLY 14	50 (1270)	32 (813)	34 (864)	45 (1143)	2	2
HLY 16	55 (1270)	37 (940)	38 (965)	50 (1270)	2	2
HLY 18	60 (1524)	42 (1067)	44 (1118)	55 (1397)	2	2
HLY 20	64 (1626)	46 (1168)	48 (1219)	59 (1499)	2	2



TITLE HIGH PERFORMANCE CABINET
ELEC HEAT

DWG NO **1100-90044302** REV -

DRAWN J. FUSON	DATE 03/20/12	APPROVED J. GRAVES	DATE 03/20/12
-------------------	------------------	-----------------------	------------------