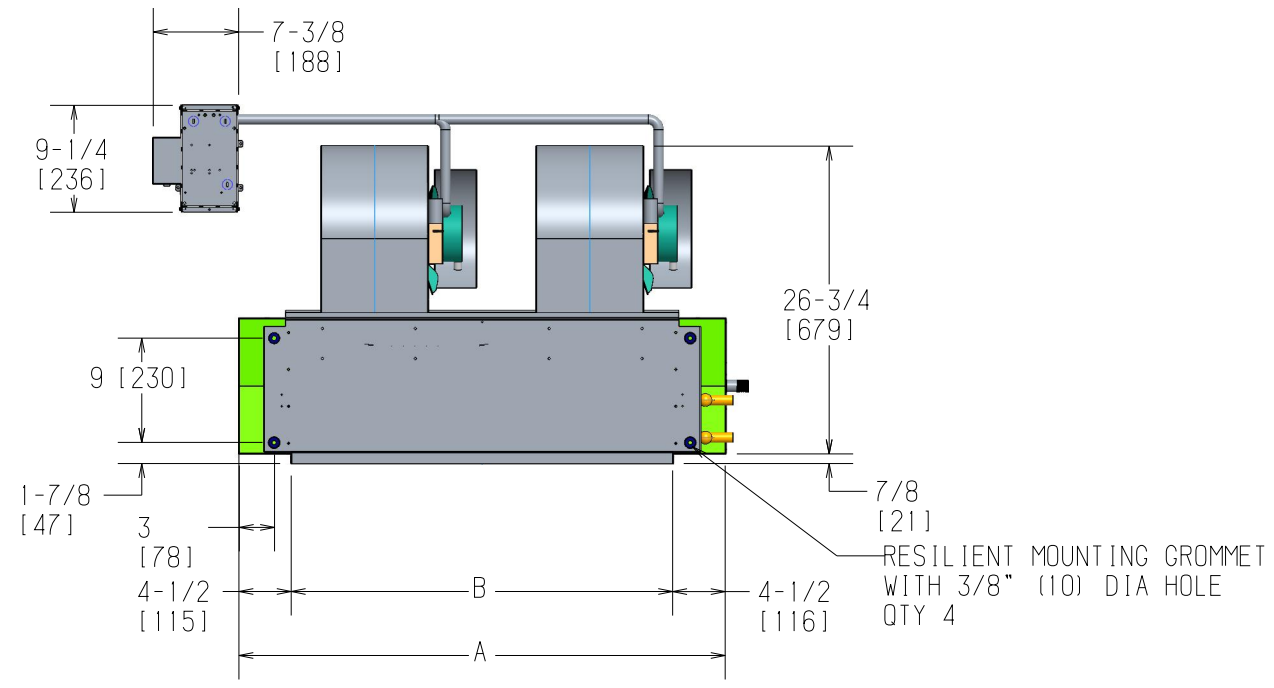
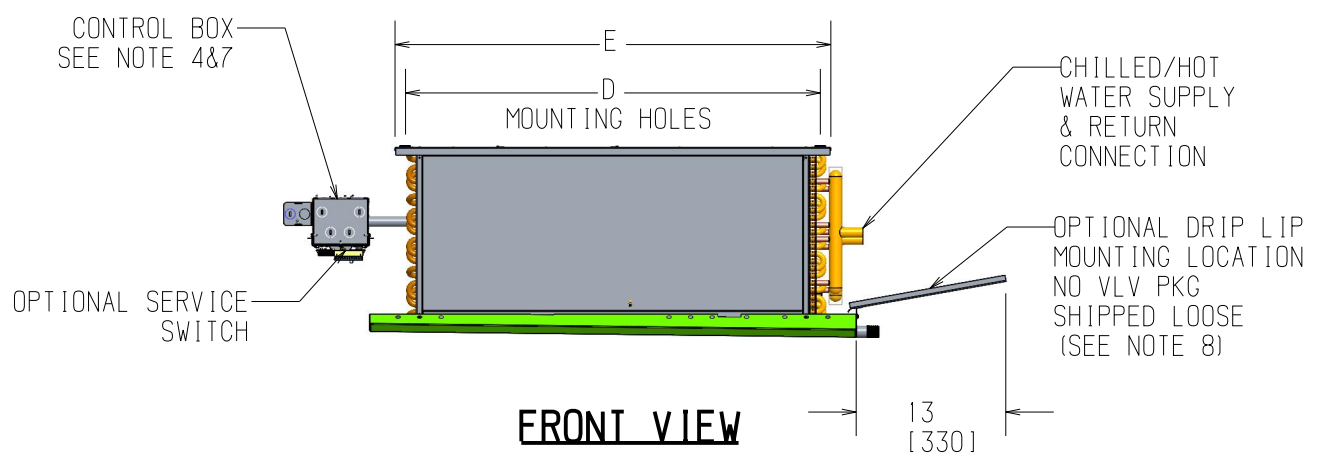
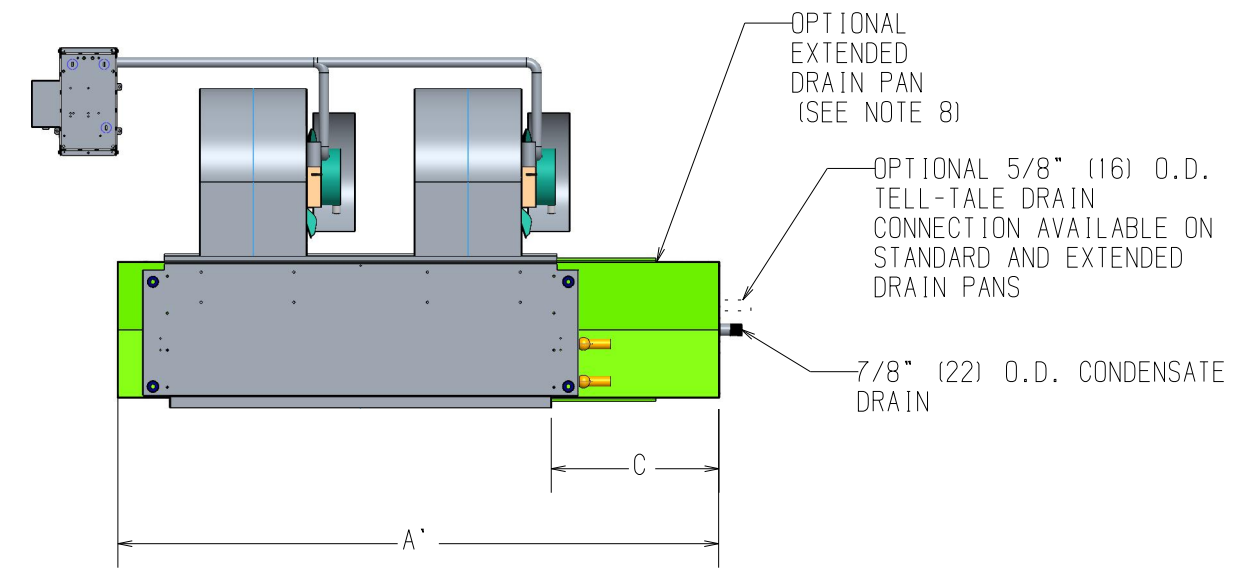


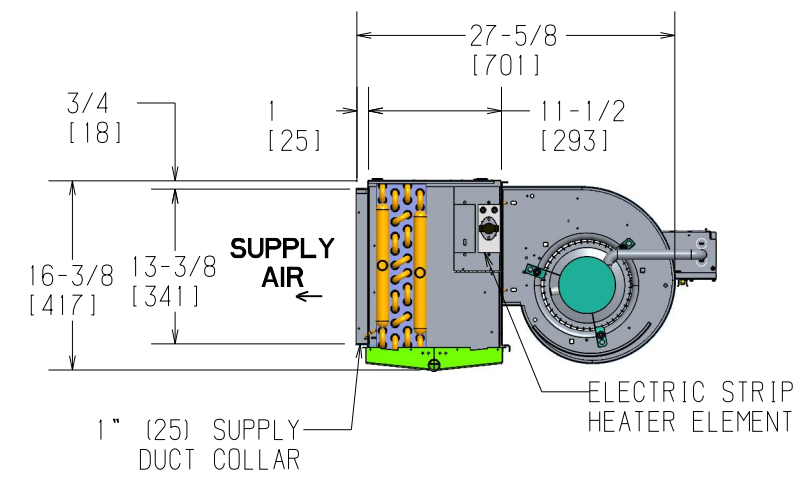
REVISION HISTORY		
REV	DATE	ECN
-	03/11/21	21-0295



TOP VIEW



FRONT VIEW



RIGHT SIDE VIEW

- NOTES:
 1. RH COIL SHOWN. LH OPPOSITE.
 2. ALL DIMENSIONS ARE +/- .25 (6). DRAWING NOT TO SCALE.
 3. PRODUCT SPECIFICATIONS ARE SUBJECT TO CHANGE WITHOUT NOTICE.
 4. CONTROL BOX SIZE AND POSITION MAY VARY (CONSULT FACTORY)
 5. POSITION MAY VARY.
 6. SERVICE ACCESS IS LOCATED ON THE FRONT OF THE CONTROL BOX.
 7. KNOCKOUTS ON THE BOTTOM AND SIDE OF THE CONTROL BOX FOR INCOMING POWER CONNECTIONS
 8. DRIP LIP RECOMMENDED. REQUIRED WHEN VLV PKG IS ORDERED.

Unit Model	Dimensions - Inches (Millimeters)						Quantity/Unit	
	A	A'	B	C	D	E	Blower	Motor
HHY 06	23 (584)	32 (813)	14 (356)	13-1/2 (343)	17 (432)	18-3/4 (476)	1	1
HHY 08	28 (711)	37 (940)	19 (483)	13-1/2 (343)	22 (559)	23-3/4 (603)	1	1
HHY 10	32 (813)	42 (1067)	23 (584)	14-1/2 (368)	26 (660)	27-3/4 (705)	1	1
HHY 12	37 (940)	47 (1194)	28 (711)	14-1/2 (368)	31 (787)	32-3/4 (832)	2	2
HHY 14	42 (1067)	52 (1321)	33 (838)	14-1/2 (368)	36 (914)	37-3/4 (959)	2	2
HHY 16	47 (1194)	56 (1422)	38 (965)	13-1/2 (343)	41 (1041)	42-3/4 (1086)	2	2
HHY 18	52 (1321)	52 (1321)	43 (1092)	14-1/2 (368)	46 (1168)	47-3/4 (1213)	2	2
HHY 20	56 (1422)	66 (1676)	47 (1194)	14-1/2 (368)	50 (1270)	51-3/4 (1314)	2	2

IEC
International
Environmental

TITLE: HIGH PERFORMANCE HIDEAWAY
ELEC HEAT

DWG NO: **1100-90044298**

DRAWN: J. FUSON	DATE: 03/20/12	APPROVED: J. GRAVES	DATE: 03/20/12
-----------------	----------------	---------------------	----------------