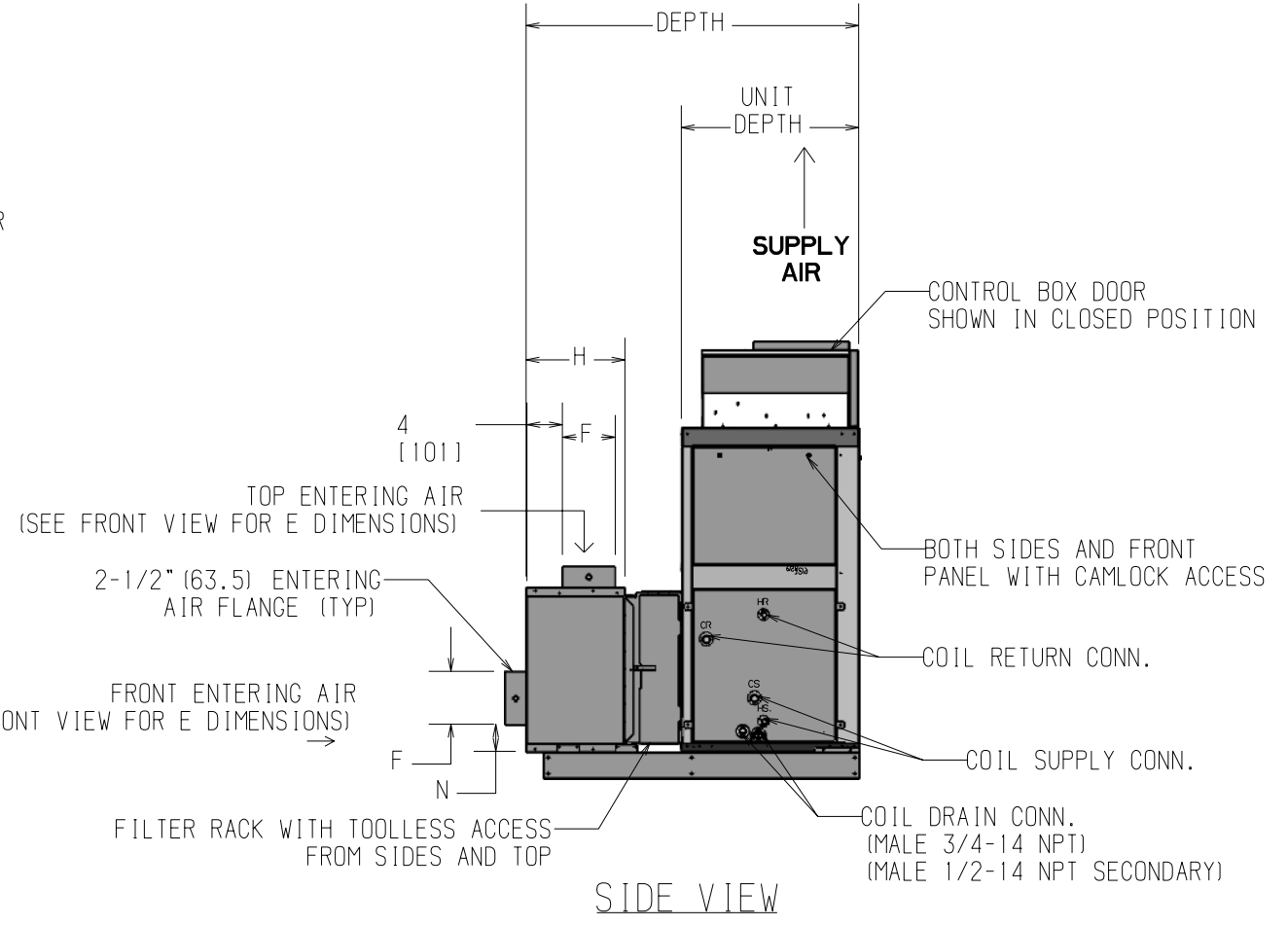
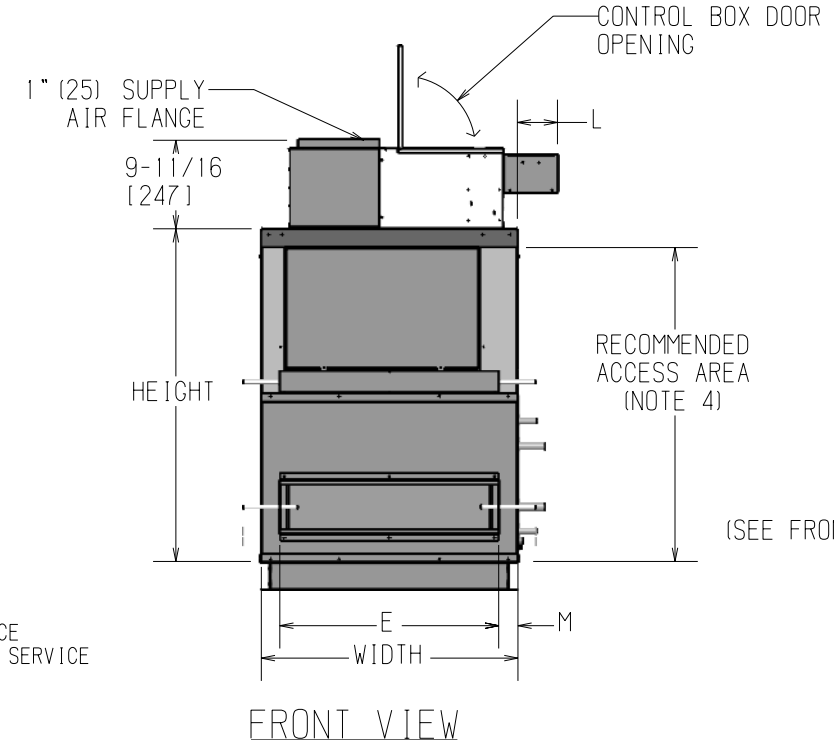
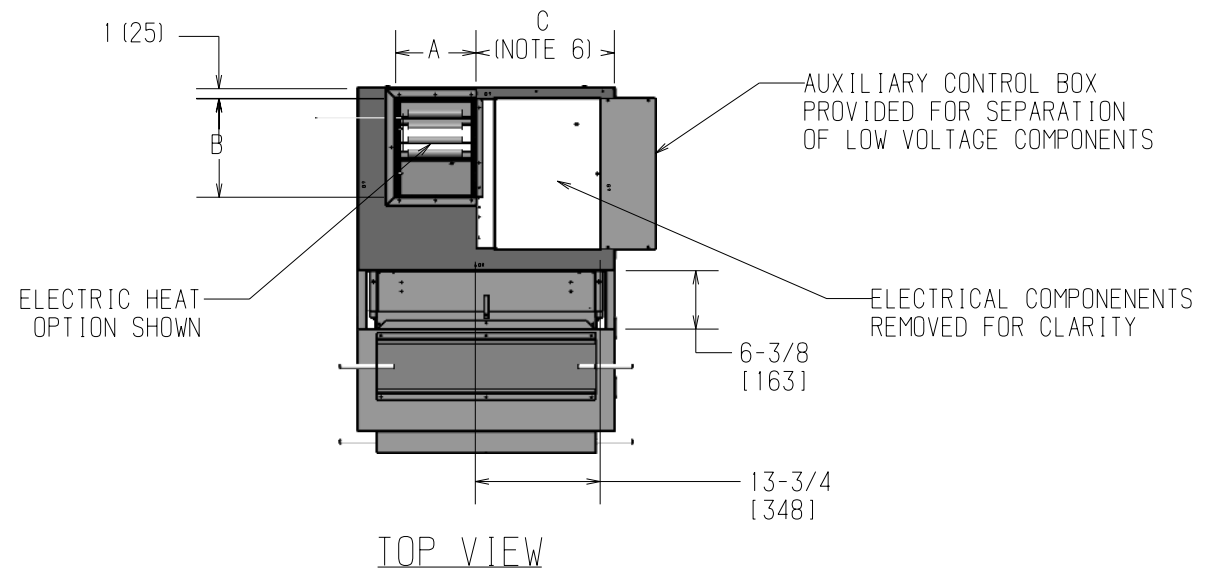


REVISION HISTORY		
REV	DATE	ECN
-	08/25/10	10-1273
A	05/05/19	19-0491
B	04/16/24	24-0350
C	04/30/24	24-0400



- NOTES:
1. RH COIL SHOWN. LH OPPOSITE.
 2. ALL DIMENSIONS ARE +/- .25 (6). DRAWING NOT TO SCALE.
 3. PRODUCT SPECIFICATIONS ARE SUBJECT TO CHANGES WITHOUT NOTICE
 4. ALLOW ADEQUATE SPACING OR MANUEVERABILITY OF UNIT TO ALLOW SERVICE THROUGH RECOMMENDED ACCESS AREA.
 5. DIMENSIONS IN PARENTHESIS ARE IN MILLIMETERS.
 6. "C" DIMENSION IS MEASURED FROM COIL SIDE UNIT.
 7. MIXING BOX OPTIONS INCLUDE:
 - A.) KNOCKDOWN BASE RAILS FOR FIELD ASSEMBLY, WHICH ARE LETTER CODED FOR EASE OF ASSEMBLY. ALL ASSEMBLY HARDWARE ARE INCLUDED
 - B.) PREASSEMBLED MIXING BOX. REFER TO TECHNICAL CATALOG FOR MOR DETAILS.
 8. LINKAGE KIT SUPPLIED WITH MIXING BOX IS PROVIDED FOR FIELD INSTALLATION OF ACTUATOR; CONSISTING OF 2 CRANK ARMS, 2 SWIVELS, AND EITHER A 25" (SIZES 06-16) OR 34" (SIZES 20-30) LENGTH OF 5/16" ROD

SIZE	FAN SIZE	DEPTH	UNIT DEPTH	WIDTH	HEIGHT	SUPPLY DUCT			RETURN DUCT		MIX BOX	AUX CTRL BOX	UNIT SIDE TO DUCT FLANGE	UNIT BOTTOM TO DUCT FLANGE
						A	B	C	E	F				
VDY 06	9X6	37-1/2 (902)	20 (508)	28 (711)	36-1/2 (927)	8-7/8 (225)	10-7/8 (276)	15-1/8 (384)	24 (610)	6 (152)	11 (279)	4-1/2 (114)	1-7/8 (48)	2-7/8 (73)
VDY 08	9X6	37-1/2 (902)	20 (508)	28 (711)	36-1/2 (927)	8-7/8 (225)	10-7/8 (276)	15-1/8 (384)	24 (610)	6 (152)	11 (279)	4-1/2 (114)	1 (25)	2-7/8 (73)
VDY 10	9X6	41-1/2 (1003)	22 (559)	37 (940)	39-3/8 (1000)	10-1/4 (260)	10-7/8 (276)	21-1/2 (546)	33 (838)	8 (203)	13 (330)	0 (0)	1-7/8 (48)	2-7/8 (73)
VDY 12	9X6	41-1/2 (1003)	22 (559)	37 (940)	39-3/8 (1000)	10-1/4 (260)	10-7/8 (276)	21-1/2 (546)	33 (838)	8 (203)	13 (330)	0 (0)	1-7/8 (48)	2-7/8 (73)
VDY 16	10X7	41-1/2 (1003)	22 (559)	47 (1194)	39-3/8 (1000)	13 (330)	12 (305)	16-5/8 (422)	43 (1092)	8 (203)	13 (330)	1-1/4 (32)	1-5/8 (41)	2-7/8 (73)
VDY 20	11X10	43-1/2 (1054)	24 (610)	48 (1219)	45-1/8 (1146)	16-1/4 (413)	13 (330)	17-1/8 (435)	44 (1118)	8 (203)	13 (330)	2-1/2 (64)	1-7/8 (48)	3-1/8 (79)
VDY 22						16-1/4 (413)	14 (356)	16 (406)	44 (1118)	10 (254)	15 (381)	3-5/8 (92)	1-7/8 (48)	2-3/4 (70)
VDY 30	12X12	49-1/2 (1207)	28 (711)	48 (1219)	54-1/4 (1378)	16-1/4 (413)	14 (356)	16 (406)	44 (1118)	10 (254)	15 (381)	3-5/8 (92)	1-7/8 (48)	2-3/4 (70)



IEC
International
Environmental

TITLE
VERTICAL DIRECT DRIVE
WITH MIXING BOX

DWG NO 1100-90035128		REV C	
DRAWN G. GENTRY	DATE 03/20/12	APPROVED J. GRAVES	DATE 03/20/12