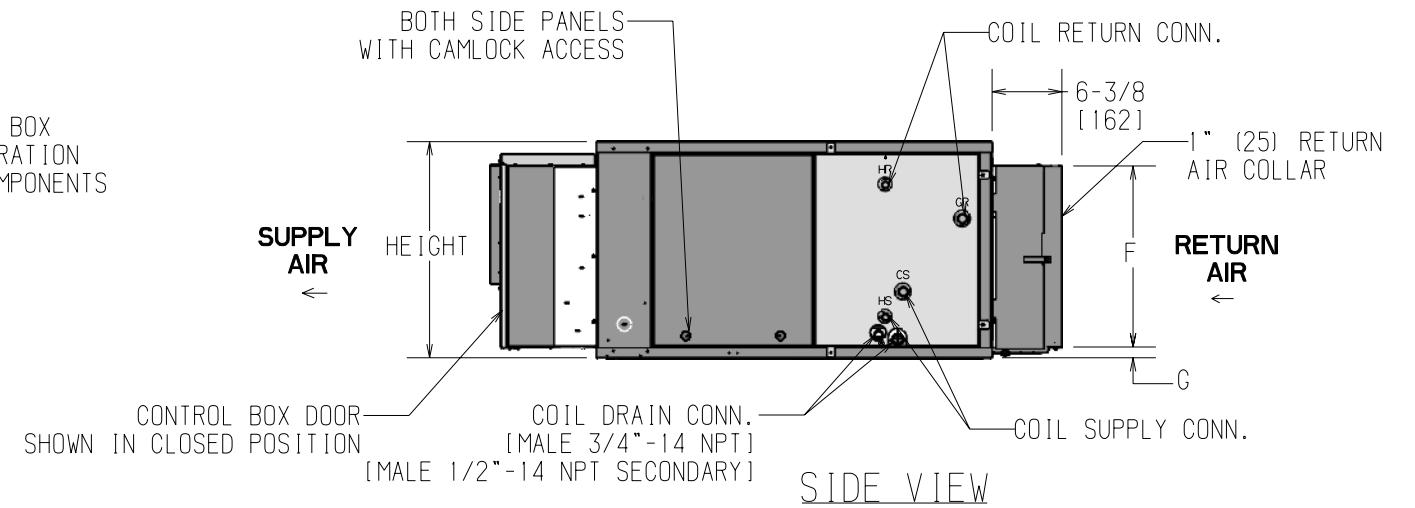
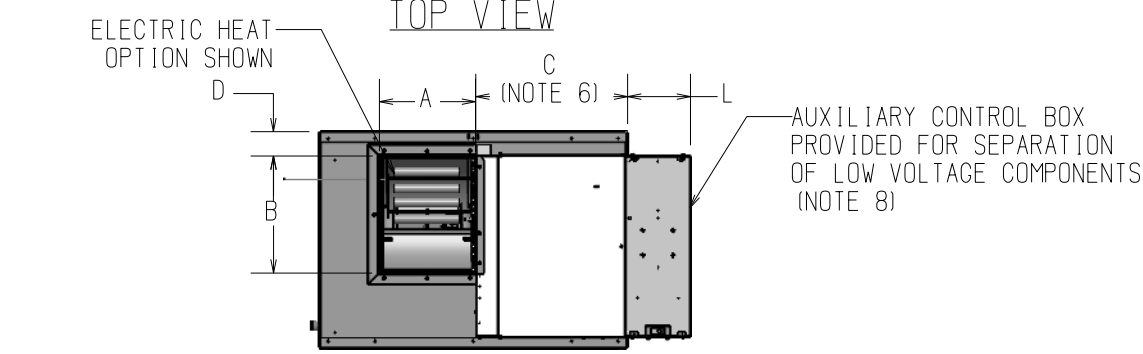
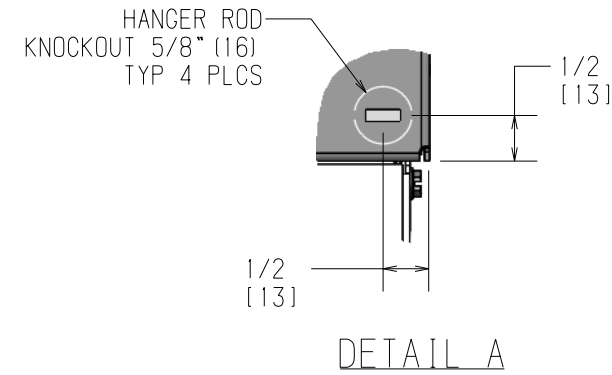
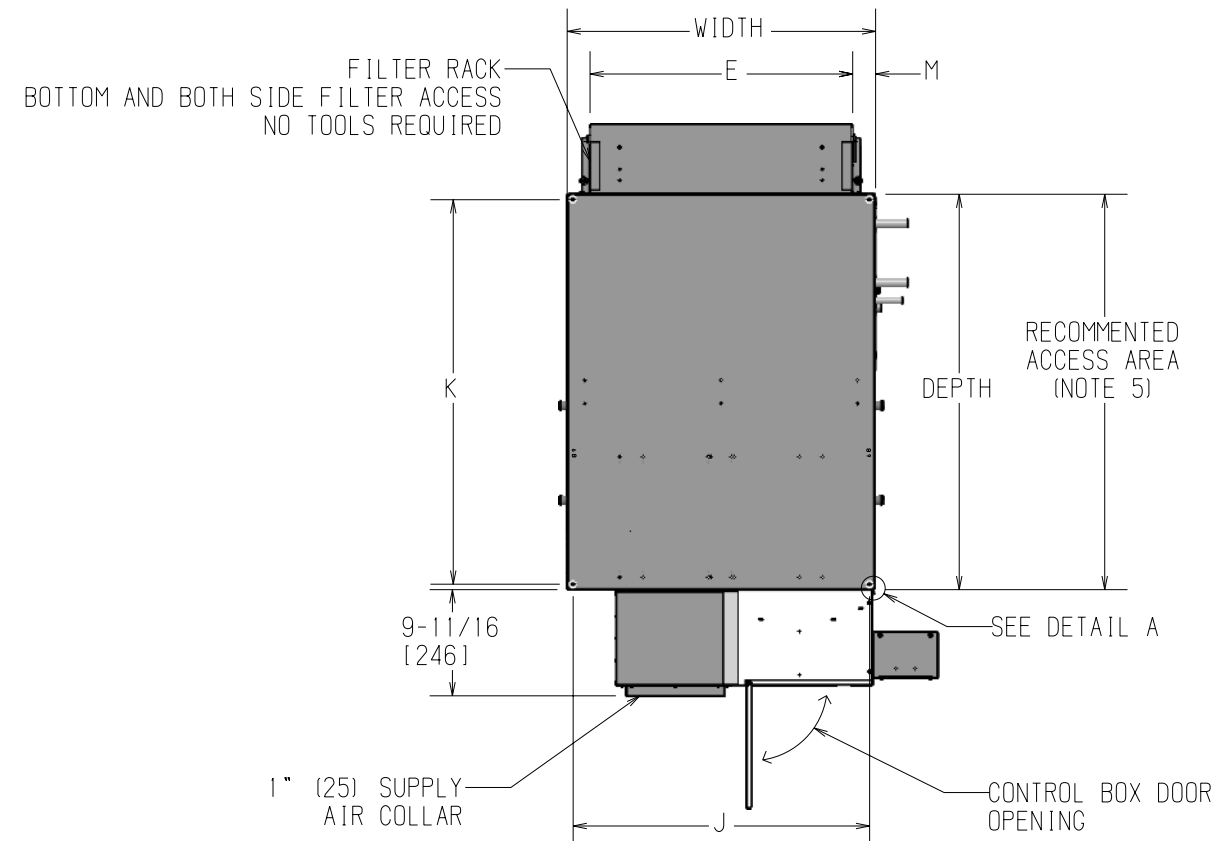


REVISION HISTORY		
REV	DATE	ECN
-	08/25/10	10-1273
A	09/10/18	18-1280
B	05/15/19	19-0491
C	10/14/19	19-1132
D	04/15/24	24-0350
E	06/24/24	24-0587



- NOTES:
1. RH COIL SHOWN, LH OPPOSITE.
  2. ALL DIMENSIONS ARE +/- .25 (6). DRAWING NOT TO SCALE.
  3. PRODUCT SPECIFICATIONS ARE SUBJECT TO CHANGE WITHOUT NOTICE.
  4. DIMENSIONS IN PARENTHESIS ARE IN MILLIMETERS.
  5. ALLOW ADEQUATE SPACING FOR MANUEVERABILITY AROUND UNIT TO ALLOW SERVICE THROUGH RECOMMENDED ACCESS AREA.
  6. "C" DIMENSION IS MEASURED FROM COIL SIDE UNIT.
  7. MIXING BOX OPTION WILL VARY RETURN DUCT DIMENSIONS. REFER TO MIXING BOX SUBMITTAL
  8. AUXILIARY CONTROL BOX REQUIRED WITH 3-SPEED EC MOTORS AND/OR CABINET LIGHTING OPTION. NOT REQUIRED WITH LOW VOLTAGE (0-10V) CONTROLS

SIZE	FAN SIZE	DEPTH	WIDTH	HEIGHT	SUPPLY DUCT				RETURN DUCT			MOUNTING HOLES		AUX CTRL BOX	M
					A	B	C	D	E	F	G	J	K	L	
HDY 06	9X6	36 (914)	28 (711)	19-3/4 (502)	8-7/8 (225)	10-7/8 (276)	13-3/4 (349)	2-1/4 (57)	24 (610)	16-1/2 (419)	1 (25)	27-1/4 (686)	35-1/4 (895)	5-3/4 (146)	2 (51)
HDY 08	9X6	36 (914)	28 (711)	19-3/4 (502)	8-7/8 (225)	10-7/8 (276)	13-3/4 (349)	2-1/4 (57)	24 (610)	16-1/2 (419)	1 (25)	27-1/4 (686)	35-1/4 (895)	5-3/4 (146)	2 (51)
HDY 10	9X6	37-1/2 (953)	37 (940)	21-1/2 (546)	10-1/4 (260)	10-7/8 (276)	14-1/2 (368)	2-1/4 (57)	33 (838)	18-1/4 (464)	1 (25)	36-1/4 (921)	37 (940)	5 (124)	2 (51)
HDY 12	9X6	37-1/2 (953)	37 (940)	21-1/2 (546)	10-1/4 (260)	10-7/8 (276)	14-1/2 (368)	2-1/4 (57)	33 (838)	18-1/4 (464)	1 (25)	36-1/4 (921)	37 (940)	5 (124)	2 (51)
HDY 16	10X7	37-3/4 (959)	47 (1194)	21-1/2 (546)	13 (330)	12 (305)	18-3/8 (467)	2-1/4 (57)	43 (1092)	18-1/4 (464)	1 (25)	46-1/4 (1175)	37 (940)	1-1/4 (32)	1-1/2 (38)
HDY 20	11X10	40-1/4 (1022)	48 (1219)	24 (610)	16-1/4 (413)	13 (330)	17-1/4 (438)	2-1/4 (57)	44 (1118)	20-3/4 (527)	1 (25)	47-1/4 (1200)	39-1/2 (1033)	2-3/8 (60)	2 (51)
HDY 22															
HDY 30	12X12	40-1/4 (1022)	48 (1219)	32-1/4 (819)	16-1/4 (413)	14 (356)	16 (406)	7-1/8 (181)	44 (1118)	29 (737)	1 (25)	47-1/4 (1200)	39-1/2 (1033)	3-3/4 (95)	2 (51)



**HORIZONTAL DIRECT DRIVE  
OPT ELECT HEAT**

DWG NO		<b>1100-90032250</b>		REV	<b>E</b>
DRAWN	J. FUSON	DATE	03/20/12	APPROVED	J. GRAVES
		DATE	03/20/12		