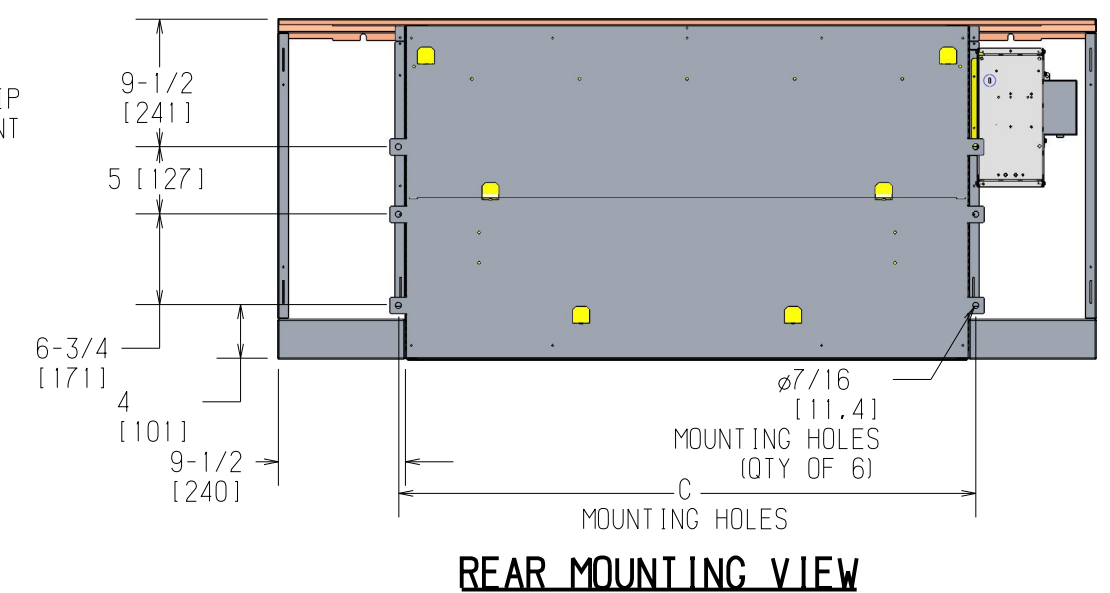
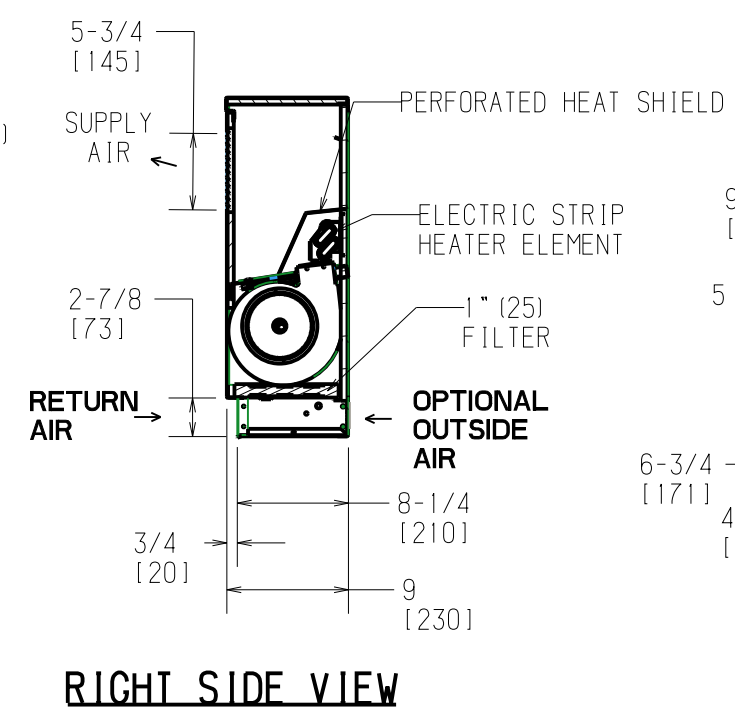
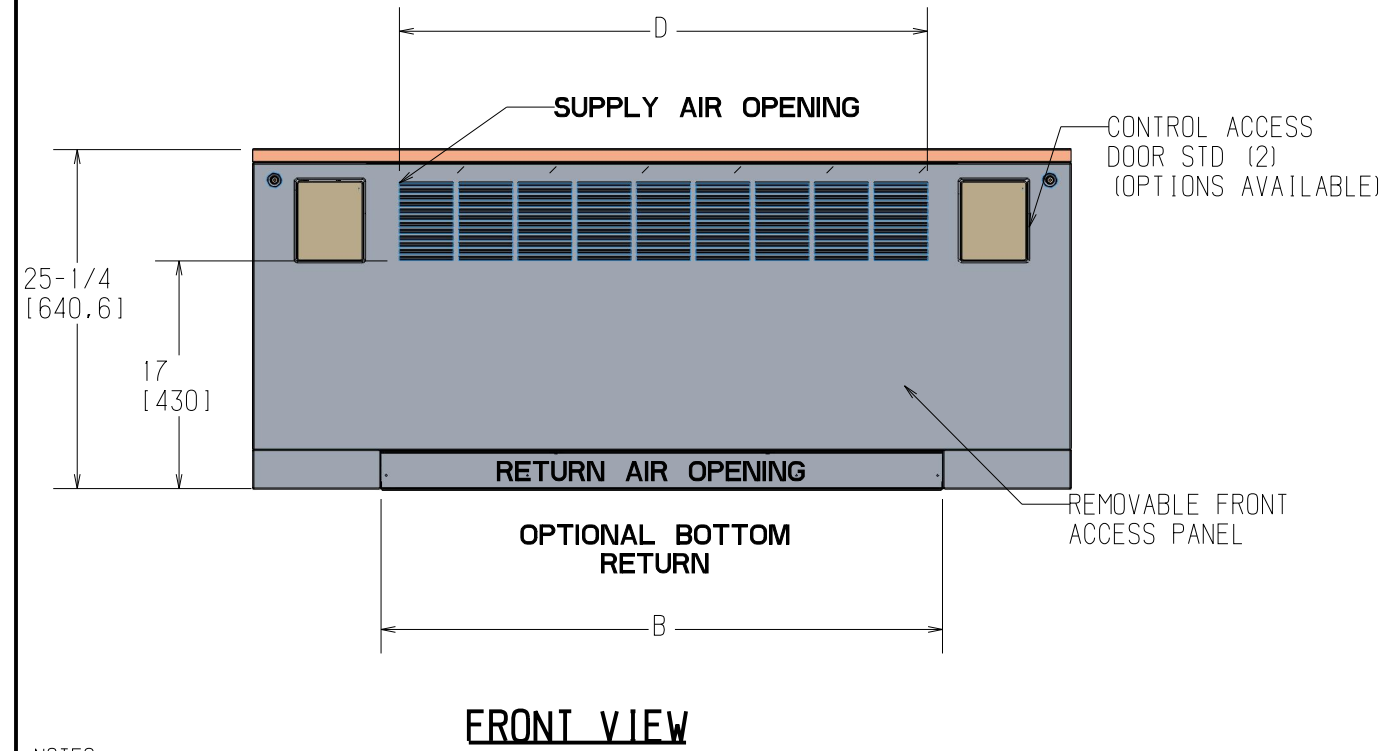
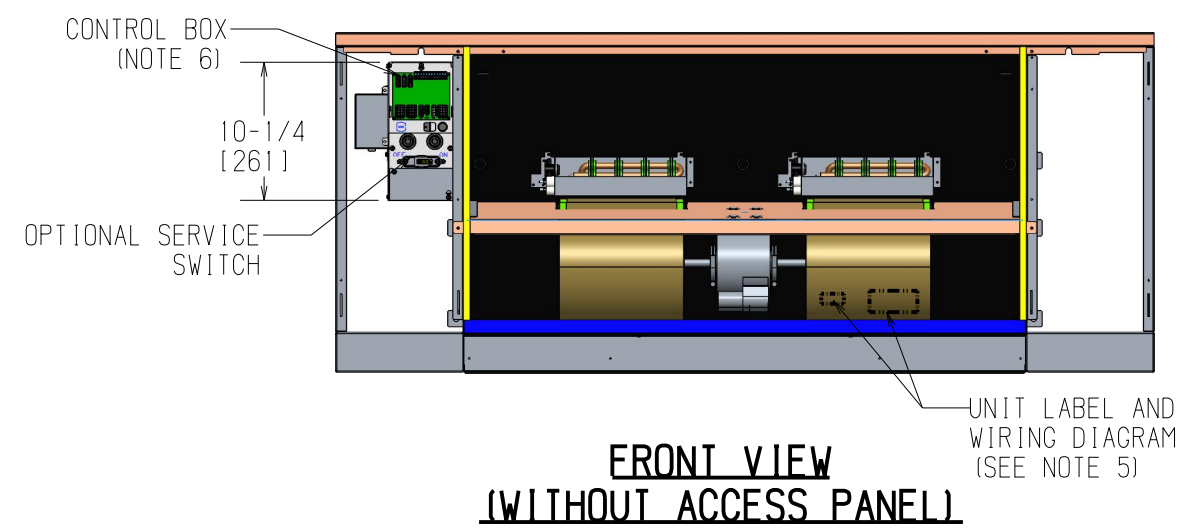
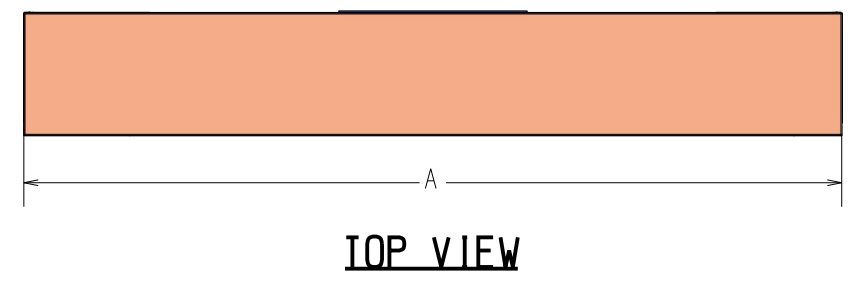


REVISION HISTORY		
REV	DATE	ECN
-	04/29/17	17-0554



- NOTES:
1. LH CONTROLS SHOWN, RH OPPOSITE.
 2. ALL DIMENSIONS ARE +/- .25 (6). DRAWING NOT TO SCALE.
 3. PRODUCT SPECIFICATIONS ARE SUBJECT TO CHANGE WITHOUT NOTICE.
 4. CONTROL BOX SIZE AND POSITION MAY VARY (CONSULT FACTORY)
 5. POSITION MAY VARY.
 6. SERVICE ACCESS IS LOCATED ON THE FRONT OF THE CONTROL BOX.
 7. KNOCKOUTS ON THE BOTTOM AND SIDE OF THE CONTROL BOX FOR INCOMING POWER CONNECTIONS

Unit Model	Dimensions - Inches (Millimeters)				Quantity/Unit	
	A	B	C	D	BLWR	MOTOR
GXY 02	41 (1041)	22 (559)	23 (584)	17 1/4 (438)	1	1
GXY 03	45 (1143)	26 (660)	27 (686)	21 1/2 (546)	1	1
GXY 04	51 (1295)	32 (813)	33 (838)	26 (660)	2	1
GXY 06	61 (1549)	42 (1067)	43 (1092)	39 (991)	2	1
GXY 08	63 (1600)	44 (1118)	45 (1143)	39 (991)	2	1
GXY 10	77 (1956)	58 (1473)	59 (1499)	52 1/8 (1324)	4	2
GXY 12	85 (2159)	66 (1676)	67 (1702)	61 (1549)	4	2

TITLE VERT CUH CABINET FRNT SPLV ELEC HEAT			
DWG NO 1100-90044037			REV -
DRAWN K.LIETZ	DATE 03/20/12	APPROVED J.GRAVES	DATE 03/20/12