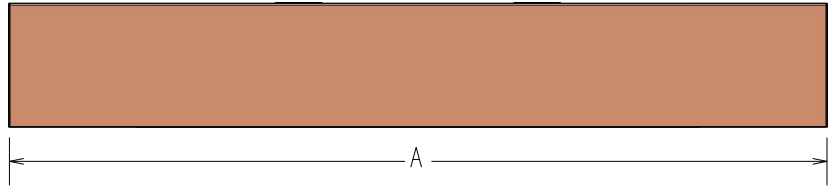
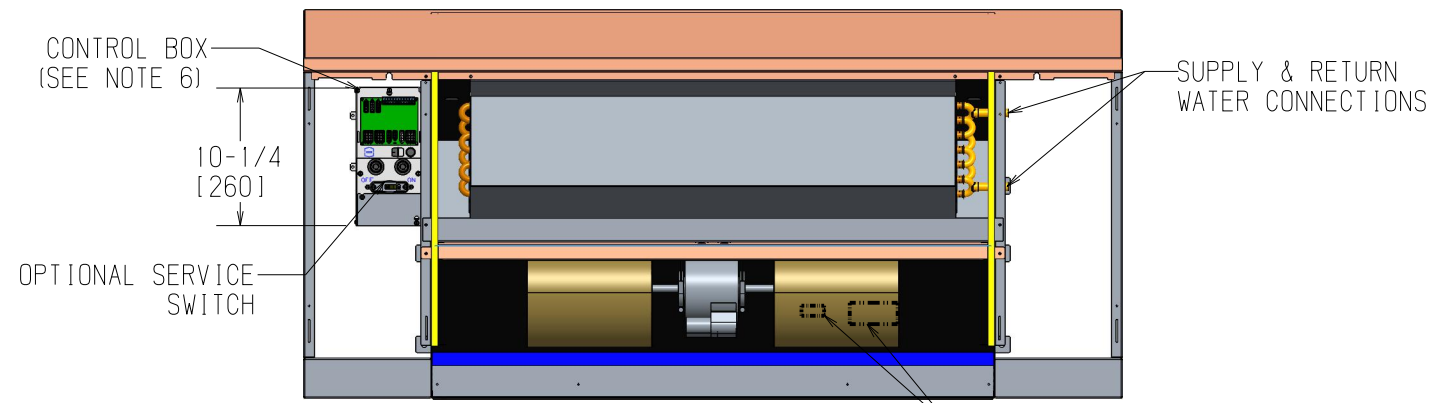


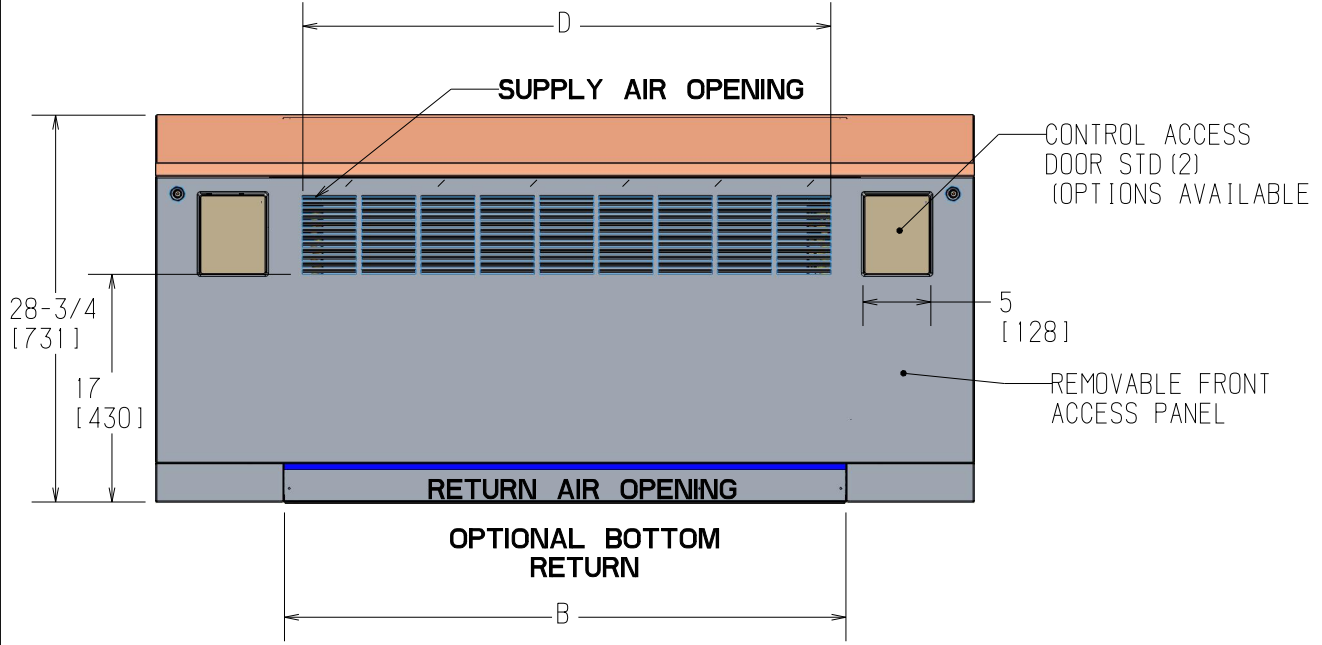
REVISION HISTORY		
REV	DATE	ECN
-	04/29/17	17-0554



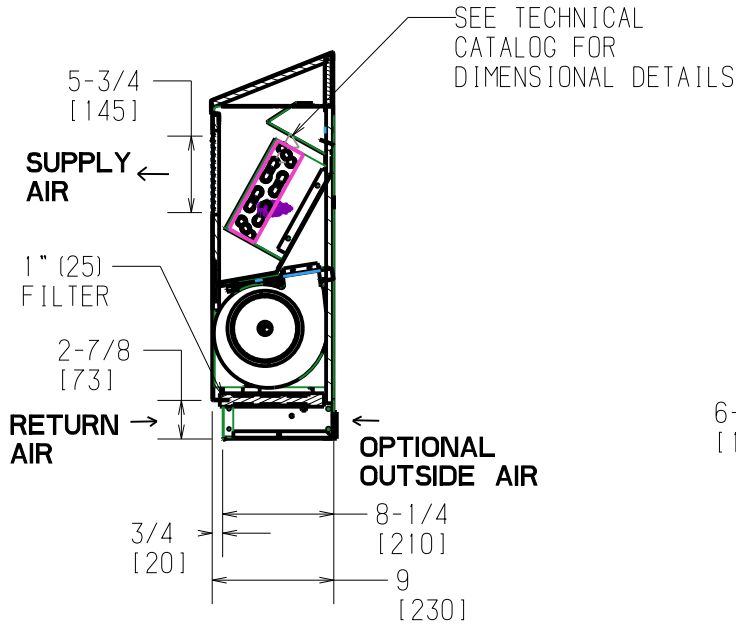
TOP VIEW



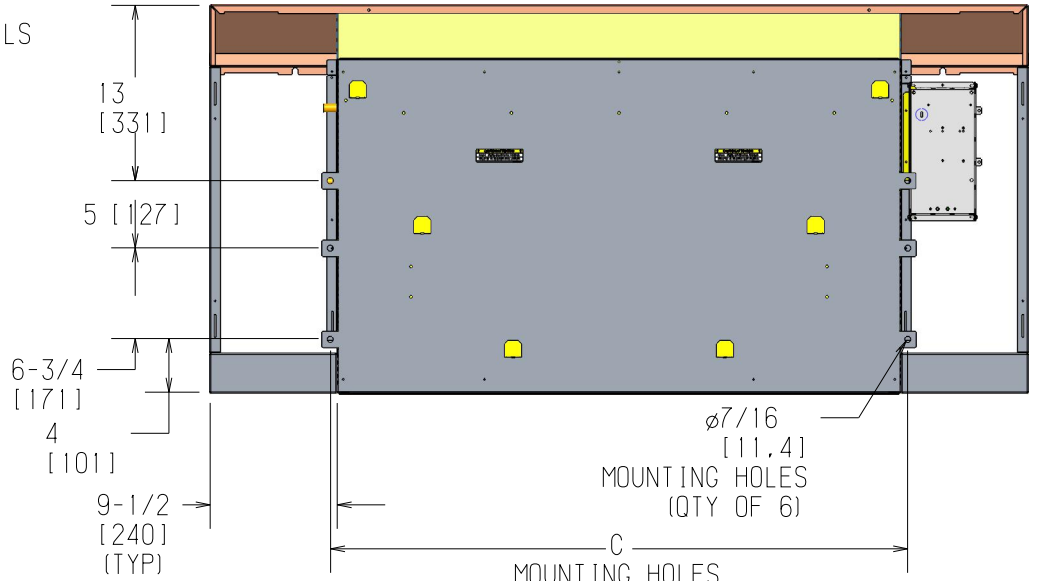
**FRONT VIEW
(WITHOUT ACCESS PANEL)**



FRONT VIEW



RIGHT SIDE VIEW



REAR MOUNTING VIEW

- NOTES:
1. RH COIL SHOWN. LH OPPOSITE.
 2. ALL DIMENSIONS ARE +/- .25 (6). DRAWING NOT TO SCALE.
 3. PRODUCT SPECIFICATIONS ARE SUBJECT TO CHANGE WITHOUT NOTICE.
 4. CONTROL BOX SIZE AND POSITION MAY VARY (CONSULT FACTORY)
 5. POSITION MAY VARY.
 6. SERVICE ACCESS IS LOCATED ON THE FRONT OF THE CONTROL BOX.
 7. KNOCKOUTS ON THE BOTTOM AND SIDE OF THE CONTROL BOX FOR INCOMING POWER CONNECTIONS

Unit Model	Dimensions - Inches (Millimeters)				Quantity/Unit	
	A	B	C	D	BLWR	MOTOR
GSY 02	41 (1041)	22 (559)	23 (584)	17 1/4 (438)	1	1
GSY 03	45 (1143)	26 (660)	27 (686)	21 1/2 (546)	1	1
GSY 04	51 (1295)	32 (813)	33 (838)	26 (660)	2	1
GSY 06	61 (1549)	42 (1067)	43 (1092)	39 (991)	2	1
GSY 08	63 (1600)	44 (1118)	45 (1143)	39 (991)	2	1
GSY 10	77 (1956)	58 (1473)	59 (1149)	52 1/8 (1324)	4	2
GSY 12	85 (2159)	66 (1676)	67 (1702)	61 (1549)	4	2

TITLE
VERT CUH SLOPE CABINET FRNT SPLY

DWG NO
1100-90044040

REV
-

DRAWN J. FUSON	DATE 02/10/21	APPROVED J. GRAVES	DATE 02/10/21
-------------------	------------------	-----------------------	------------------