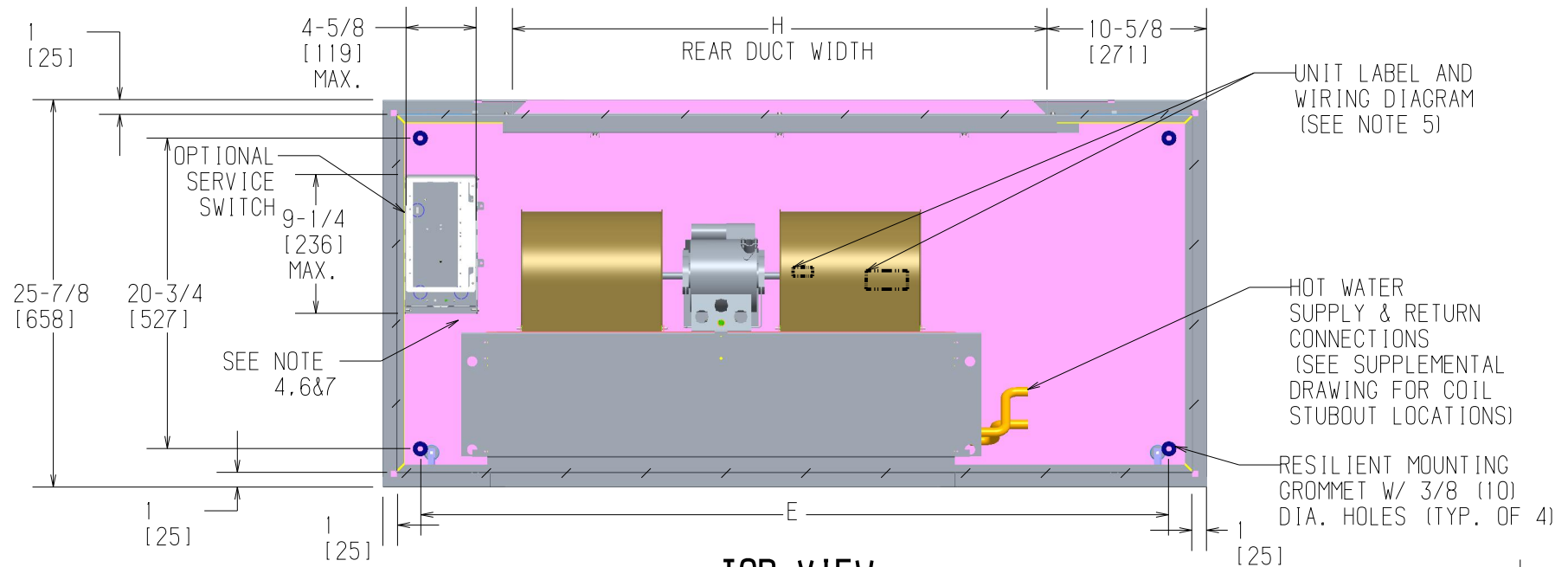


| REVISION HISTORY | | |
|------------------|----------|---------|
| REV | DATE | ECN |
| - | 02/09/21 | 21-0151 |

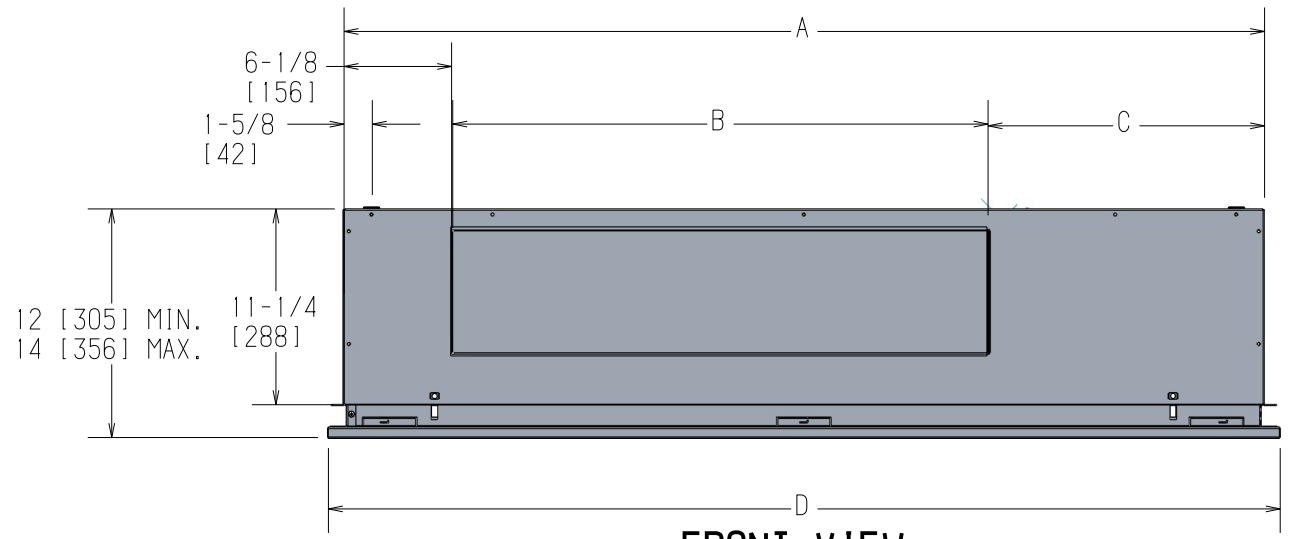


UNIT LABEL AND WIRING DIAGRAM (SEE NOTE 5)

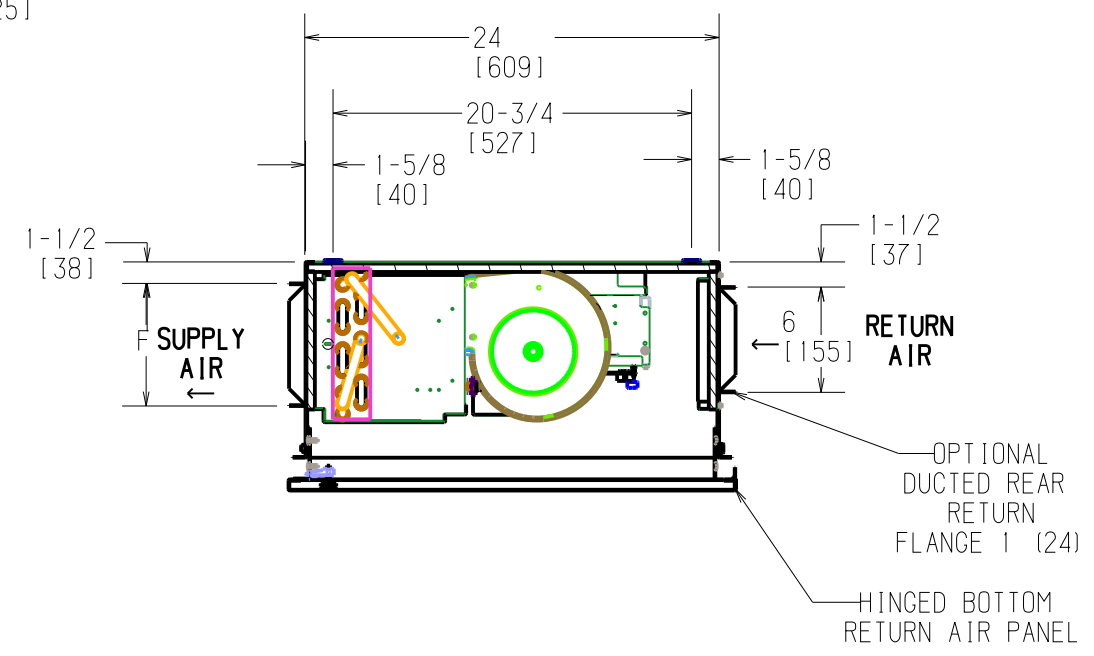
HOT WATER SUPPLY & RETURN CONNECTIONS (SEE SUPPLEMENTAL DRAWING FOR COIL STUBOUT LOCATIONS)

RESILIENT MOUNTING GROMMET W/ 3/8 (10) DIA. HOLES (TYP. OF 4)

TOP VIEW



FRONT VIEW



RIGHT SIDE VIEW

- NOTES:
1. RH SHOWN, LH OPPOSITE.
 2. ALL DIMENSIONS ARE +/- .25 (6). DRAWING NOT TO SCALE.
 3. PRODUCT SPECIFICATIONS ARE SUBJECT TO CHANGE WITHOUT NOTICE.
 4. CONTROL BOX SIZE AND POSITION MAY VARY (CONSULT FACTORY)
 5. POSITION MAY VARY.
 6. SERVICE ACCESS IS LOCATED ON THE FRONT OF THE CONTROL BOX.
 7. KNOCKOUTS ON THE BOTTOM AND SIDE OF THE CONTROL BOX FOR INCOMING POWER CONNECTIONS
 8. TYPICAL SIZE 06 UNIT SHOWN WITH 1-MOTOR AND 2-BLWR - REFER TO TABLE FOR VARIATION.
 9. SEE VALVE PACKAGE SUPPLEMENTAL FOR PIPING TERMINATION.
 10. FIELD CONNECTION PIPES WILL BE SHIPPED LOOSE WITH VALVE PACKAGES.

| Unit Model | Dimensions - Inches (Millimeters) | | | | | | | Quantity/Unit | |
|------------|-----------------------------------|-----------|--------------|-----------|-----------|---------|---------------|---------------|-------|
| | A | B | C | D | E | F | H | BLWR | MOTOR |
| DBY 02 | 35 (889) | 16 (406) | 12-3/4 (324) | 37 (940) | 32 (813) | 6 (152) | 18-3/4 (476) | 1 | 1 |
| DBY 03 | 35 (889) | 20 (508) | 8-3/4 (225) | 37 (940) | 32 (813) | 6 (152) | 18-3/4 (476) | 1 | 1 |
| DBY 04 | 41 (1041) | 26 (660) | 8-3/4 (225) | 43 (1092) | 38 (965) | 6 (152) | 24-3/4 (629) | 2 | 1 |
| DBY 06 | 53 (1346) | 31 (787) | 15-3/4 (400) | 55 (1397) | 50 (1270) | 7 (179) | 35-3/4 (908) | 2 | 1 |
| DBY 08 | 53 (1346) | 38 (965) | 8-3/4 (225) | 55 (1397) | 50 (1270) | 7 (179) | 35-3/4 (908) | 2 | 1 |
| DBY 10 | 75 (1905) | 52 (1321) | 16-3/4 (425) | 77 (1956) | 72 (1829) | 7 (179) | 49-3/4 (1264) | 4 | 2 |
| DBY 12 | 75 (1905) | 60 (1524) | 8-3/4 (225) | 77 (1956) | 72 (1829) | 7 (179) | 49-3/4 (1264) | 4 | 2 |



| | | | |
|---|---------------|-------------------|---------------|
| IEC International Environmental | | | |
| TITLE DBY HORZ TELESCOPING CABINET HEATER | | | |
| DWC NO 1100-90044771 | | | REV - |
| DRAWN J. FUSON | DATE 07/15/21 | APPROVED M. SMITH | DATE 07/15/21 |