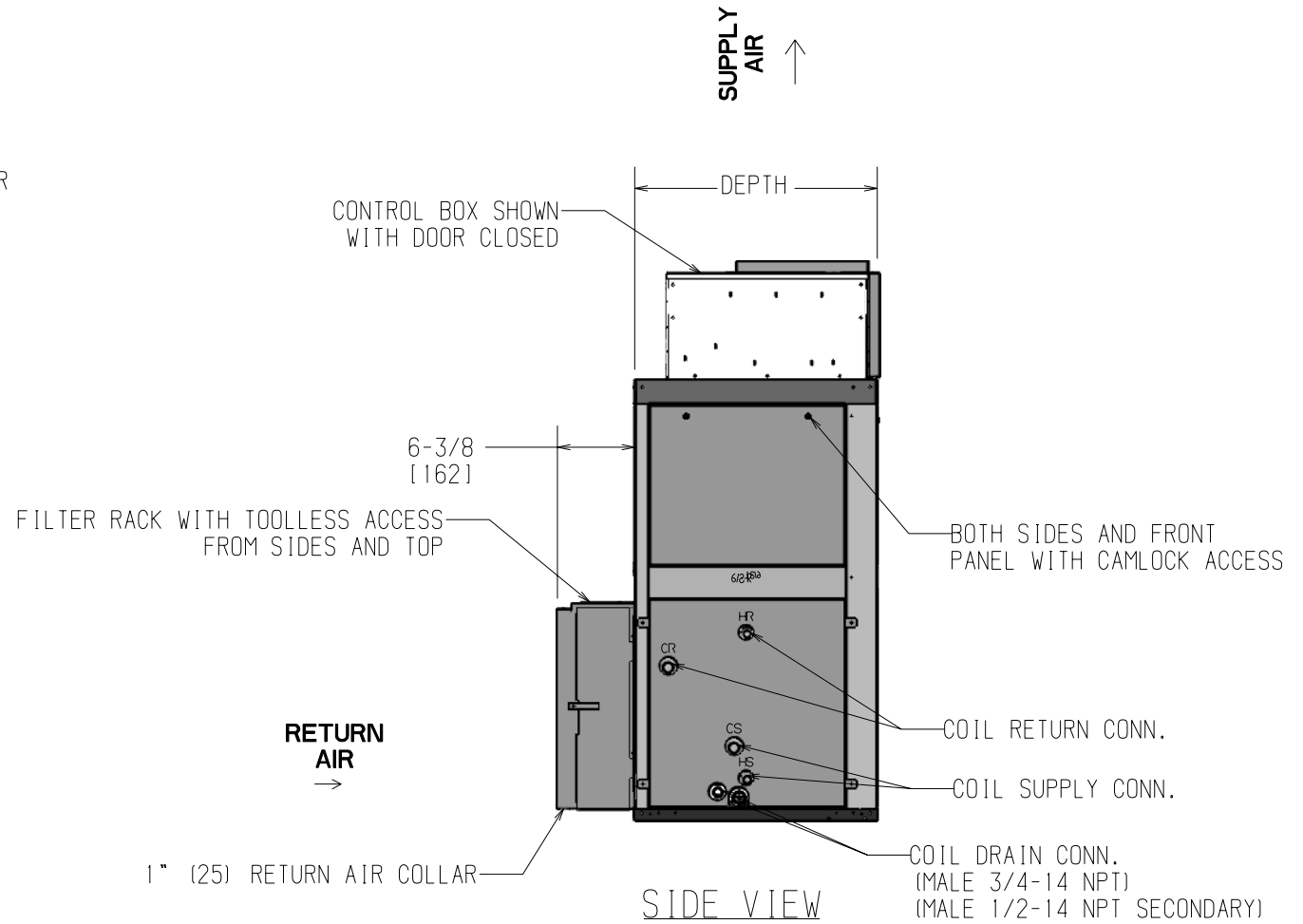
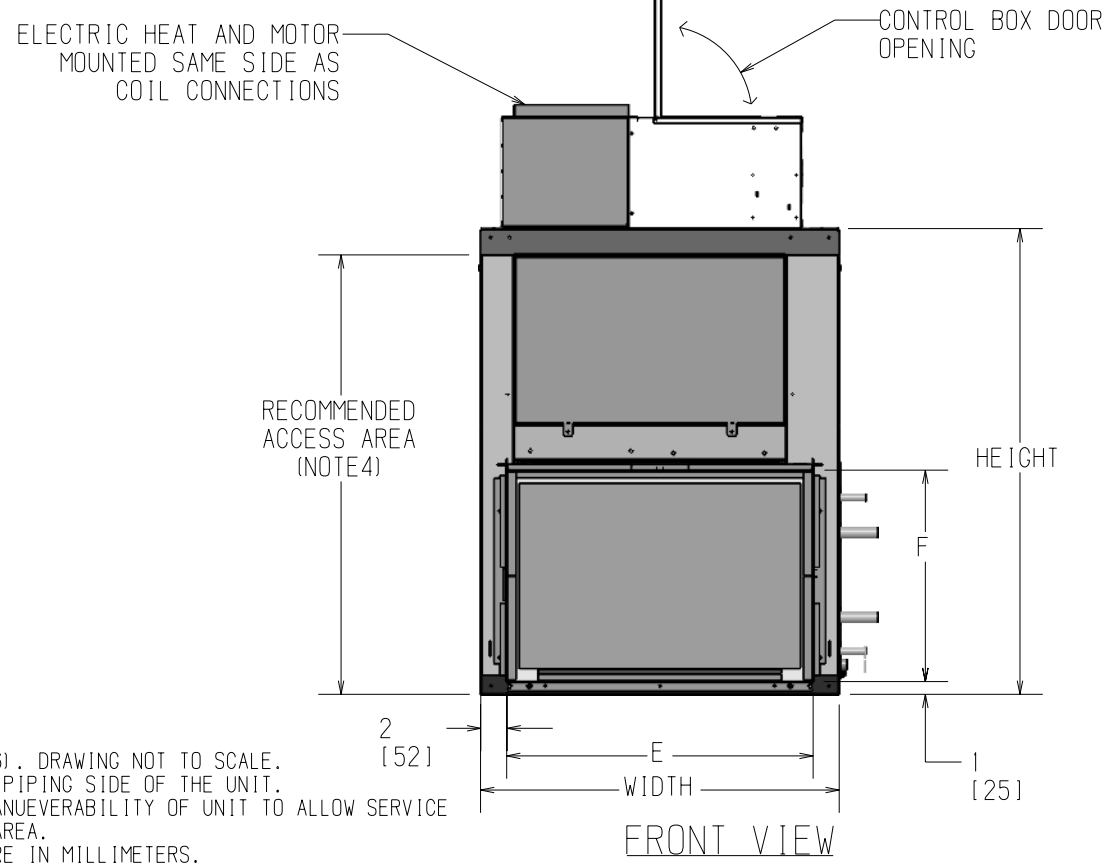
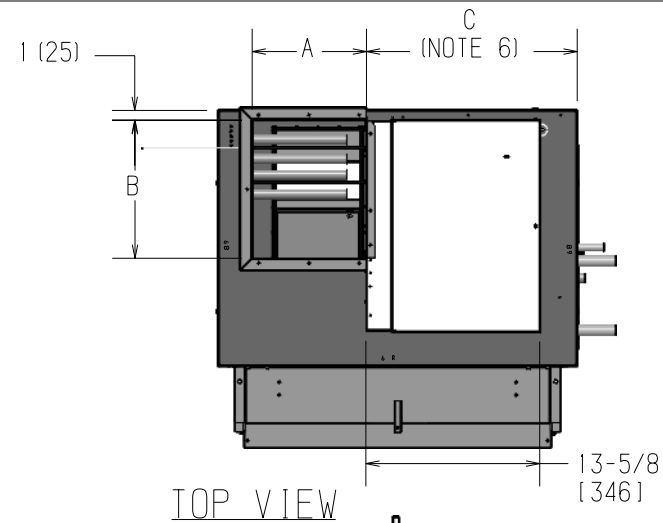



REVISION HISTORY		
REV	DATE	ECN
-	08/25/10	10-1273
A	09/09/11	11-2141
B	04/22/19	19-0422
C	04/15/24	24-0350



- NOTES:
1. RH COIL SHOWN. LH OPPOSITE.
 2. ALL DIMENSIONS ARE +/- .25 (6). DRAWING NOT TO SCALE.
 3. DRAIN PAN REMOVAL IS ON THE PIPING SIDE OF THE UNIT.
 4. ALLOW ADEQUATE SPACING OR MANUEVERABILITY OF UNIT TO ALLOW SERVICE THROUGH RECOMMENDED ACCESS AREA.
 5. DIMENSIONS IN PARENTHESIS ARE IN MILLIMETERS.
 6. "C" DIMENSION IS MEASURED FROM COIL SIDE UNIT.
 7. MIXING BOX OPTION WILL VARY RETURN DUCT DIMENSIONS. REFER TO MIXING BOX SUBMITTAL.

SIZE	FAN SIZE	DEPTH	WIDTH	HEIGHT	SUPPLY DUCT			RETURN DUCT	
					A	B	C	E	F
VBA 06	9X4	20 (508)	28 (711)	36-1/2 (927)	8-7/8 (225)	10-7/8 (276)	16-3/4 (425)	24 (610)	16-1/2 (419)
VBA 08	9X6	20 (508)	28 (711)	36-1/2 (927)	8-7/8 (225)	10-7/8 (276)	15-1/4 (387)	24 (610)	16-1/2 (419)
VBA 10	10X4	22 (559)	37 (940)	39-3/8 (1000)	10-3/8 (264)	12 (305)	24-1/2 (622)	33 (838)	18-1/4 (464)
VBA 12	10X7	22 (559)	37 (940)	39-3/8 (1000)	10-3/8 (264)	12 (305)	21-1/2 (546)	33 (838)	18-1/4 (464)
VBA 16	11X10	22 (559)	47 (1194)	39-3/8 (1000)	13-7/8 (352)	13 (330)	16-3/4 (425)	43 (1092)	18-1/4 (464)
VBA 20	12X9	24 (610)	48 (1219)	45-1/8 (1146)	13 (330)	14-1/8 (359)	17-3/4 (451)	44 (1118)	20-3/4 (527)
VBA 30	12X12	28 (711)	48 (1219)	54-3/16 (1376)	16-1/4 (413)	14-1/8 (359)	16 (406)	44 (1118)	29 (737)
VBA 40	15X12	28 (711)	62 (1575)	57-5/8 (1464)	16-3/4 (425)	16-3/8 (416)	22-3/4 (578)	58 (1473)	29 (737)



IEC
International
Environmental

TITLE
VERTICAL BELT DRIVE
ELECTRIC HEAT

DWG NO 1100-9001620		REV C	
DRAWN J. FUSON	DATE 03/20/12	APPROVED J. GRAVES	DATE 03/20/12