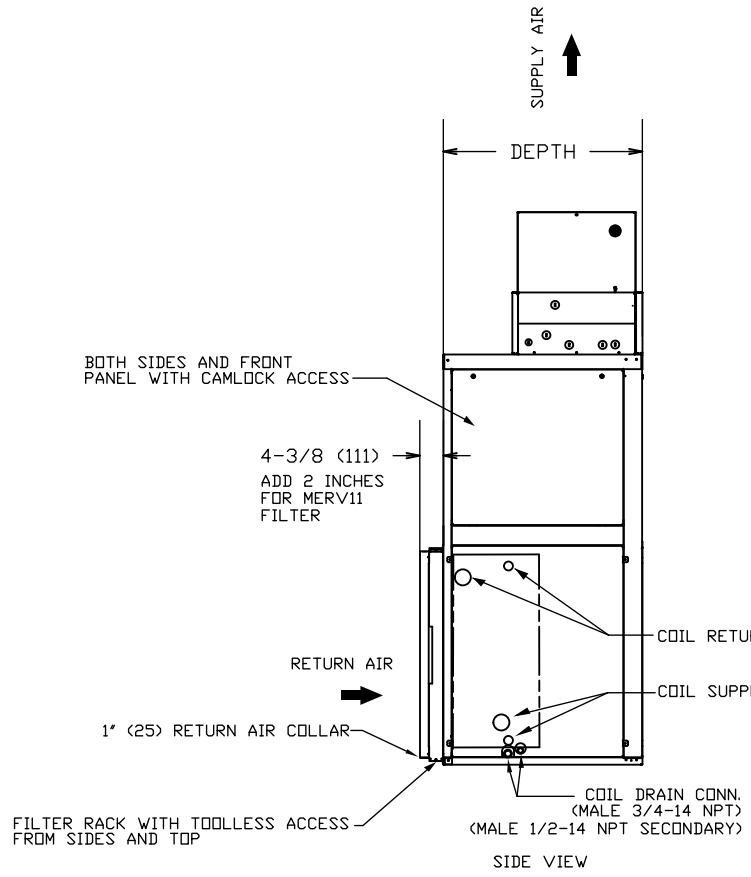
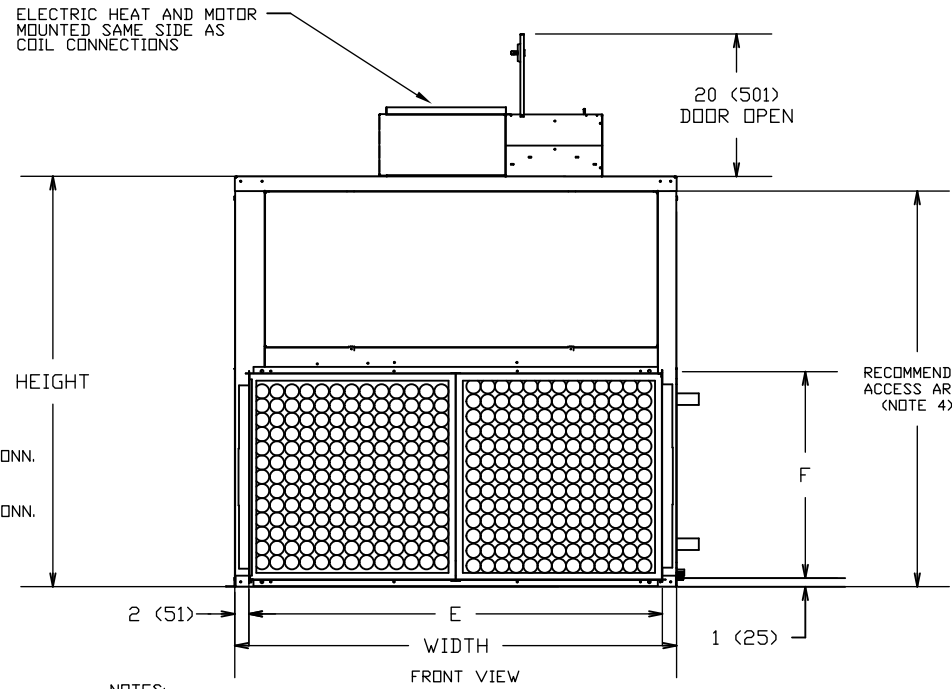
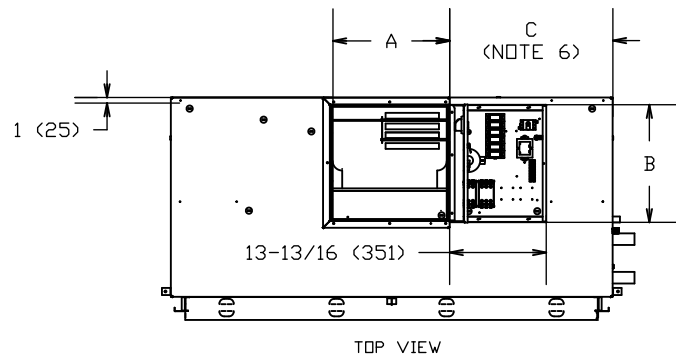


REVISION HISTORY		
REV	DATE	ECN
-	08/25/10	10-1273
A	09/09/11	11-2141
B	04/22/19	19-0422



ELECTRIC HEAT AND MOTOR MOUNTED SAME SIDE AS COIL CONNECTIONS

- NOTES:
1. RIGHT HAND SHOWN, LEFT HAND OPPOSITE.
 2. ALL DIMENSIONS +/- 1/4 INCH (+/- 6 MM)
 3. DRAIN PAN REMOVAL IS ON THE PIPING SIDE OF THE UNIT
 4. ALLOW ADEQUATE SPACING OR MANUEVERABILITY OF UNIT TO ALLOW SERVICE THROUGH RECOMMENDED ACCESS AREA
 5. DIMENSIONS IN PARENTHESIS ARE IN MILLIMETERS.
 6. "C" DIMENSION IS MEASURED FROM COIL SIDE OF UNIT.
 7. PRODUCT SPECIFICATIONS ARE SUBJECT TO CHANGE WITHOUT NOTICE.

SIZE	FAN SIZE	DEPTH	WIDTH	HEIGHT	SUPPLY DUCT			RETURN DUCT		TITLE
					A	B	C	E	F	
VBA 06	9X4	20 (508)	28 (711)	36-1/2 (927)	8-7/8(225)	10-7/8(276)	16-3/4 (425)	24 (610)	16-1/2(419)	VERTICAL BELT DRIVE ELEC HEAT
VBA 08	9X6	20 (508)	28 (711)	36-1/2 (927)	8-7/8(225)	10-7/8(276)	15-1/4 (387)	24 (610)	16-1/2(419)	MODEL VBA
VBA 10	10X4	22 (559)	37 (940)	39-3/8 (1000)	10-3/8(264)	12 (305)	24-1/2 (622)	33 (838)	18-1/4(464)	JOB NUMBER
VBA 12	10X7	22 (559)	37 (940)	39-3/8 (1000)	10-3/8(264)	12 (305)	21-1/2 (546)	33 (838)	18-1/4(464)	JOB NAME
VBA 16	11X10	22 (559)	47 (1194)	39-3/8 (1000)	13-7/8(352)	13 (330)	16-3/4(425)	43 (1092)	18-1/4(464)	DRAWN BY
VBA 20	12X9	24 (610)	48 (1219)	45-1/8 (1146)	13 (330)	14-1/8(359)	17-3/4(451)	44 (1118)	20-3/4(527)	A.HUBBARD
VBA 30	12X12	28 (711)	48 (1219)	54-3/16 (1376)	16-1/4(413)	14-1/8(359)	16 (406)	44 (1118)	29 (737)	DRAWING NUMBER
VBA 40	15X12	28 (711)	62 (1575)	57-5/8 (1464)	16-3/4(425)	16-3/8(416)	22-3/4(578)	58 (1473)	29 (737)	1100-90011620

