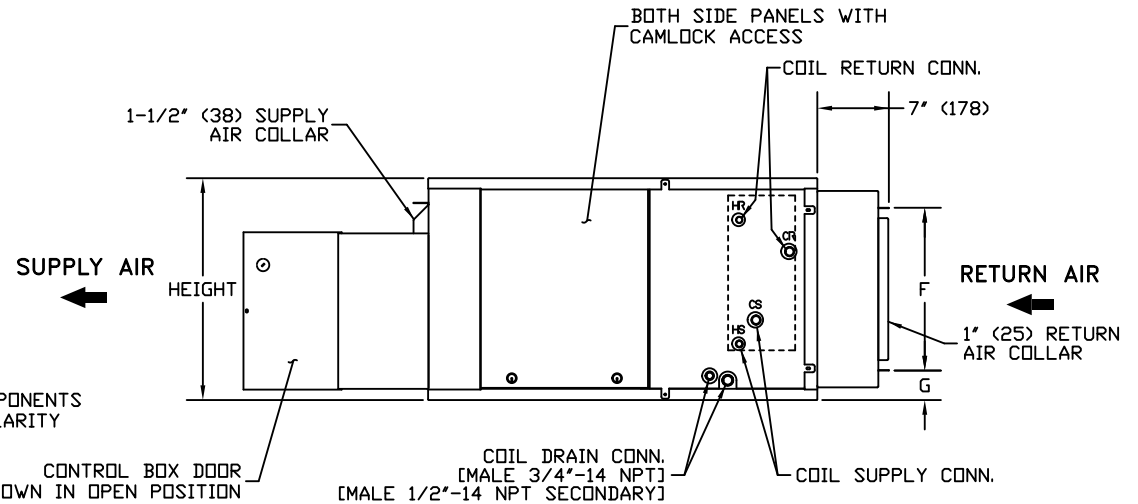
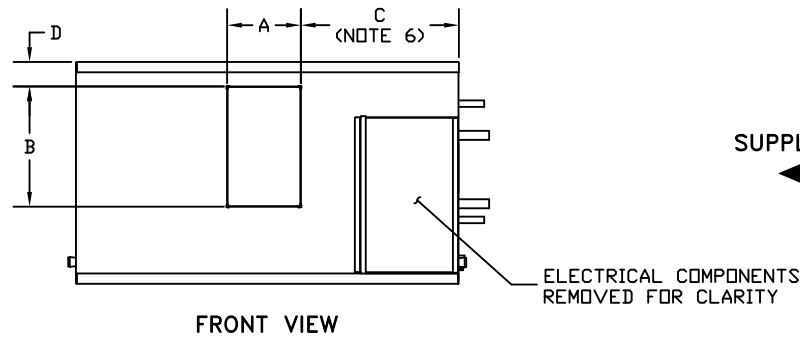
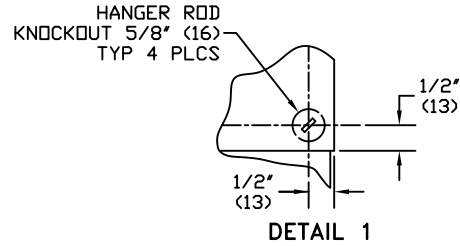
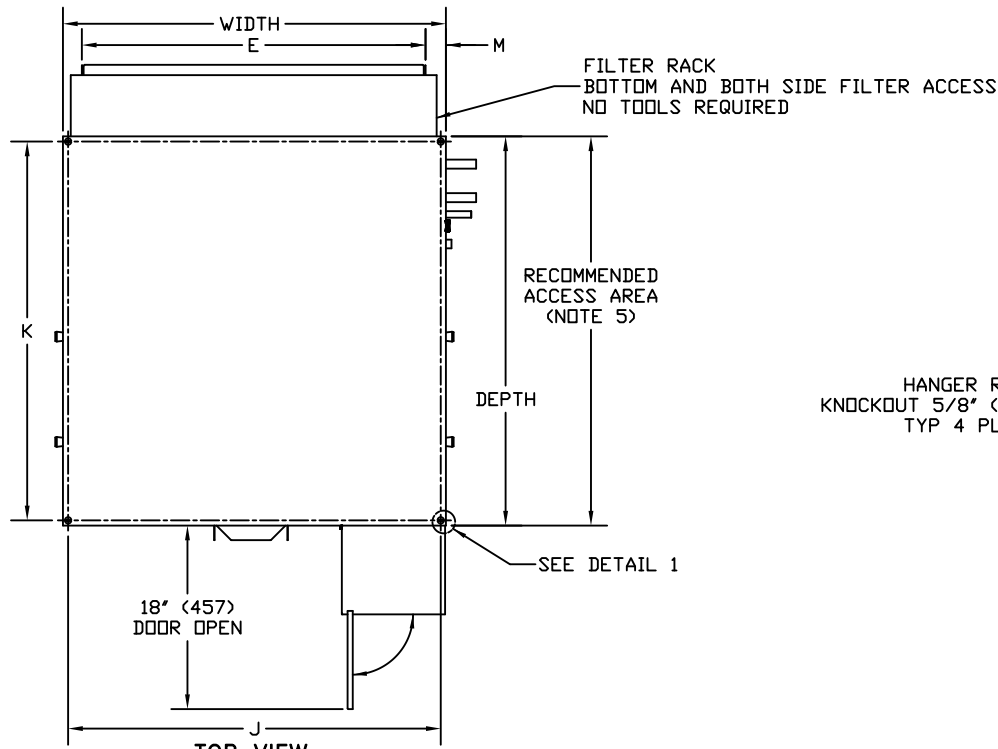


REVISION HISTORY		
REV	DATE	ECN
-	08/25/10	10-1273
A	05/04/17	17-0582
B	10/14/19	19-1132



- NOTES:
1. RIGHT-HAND SHOWN. LEFT HAND OPPOSITE.
 2. ALL DIMENSIONS ±1/4 INCH (6 MM).
 3. PRODUCT SPECIFICATIONS ARE SUBJECT TO CHANGES WITHOUT NOTICE.
 4. DIMENSIONS IN PARENTHESIS ARE IN MILLIMETERS.
 5. ALLOW ADEQUATE SPACING FOR MANUEVERABILITY AROUND UNIT TO ALLOW SERVICE THROUGH RECOMMENDED ACCESS AREA.
 6. "C" DIMENSION IS MEASURED FROM COIL SIDE OF UNIT.
 7. MIXING BOX OPTION WILL VARY RETURN DUCT DIMENSIONS, REFER TO MIXING BOX SUBMITTAL.

SIZE	FAN SIZE	DEPTH	WIDTH	HEIGHT	SUPPLY DUCT				RETURN DUCT			MOUNTING HOLES		M
					A	B	C	D	E	F	G	J	K	
HBD06	9X4	36(914)	28(711)	19-3/4(502)	8-7/8(225)	10-1/2(267)	14-1/2(368)	2-1/4(57)	24-1/4(616)	14(356)	2-3/4(70)	27-1/4(686)	35-1/4(895)	2(51)
HBD08	9X6	36(914)	28(711)	19-3/4(502)	8-7/8(225)	10-1/2(267)	14(356)	2-1/4(57)	24-1/4(616)	14(356)	2-3/4(70)	27-1/4(686)	35-1/4(895)	2(51)
HBD10	10X4	37-1/2(953)	37(940)	21-1/2(546)	10-3/8(264)	11-5/8(295)	15-1/4(387)	2-1/4(57)	33-1/4(845)	15-3/4(401)	2-7/8(73)	36-1/4(921)	37(940)	2(51)
HBD12	10X7	37-1/2(953)	37(940)	21-1/2(546)	10-3/8(264)	11-5/8(295)	14(356)	2-1/4(57)	33-1/4(845)	15-3/4(401)	2-7/8(73)	36-1/4(921)	37(940)	2(51)
HBD16	11X10	37-3/4(959)	47(1194)	21-1/2(546)	13-7/8(352)	12-3/4(324)	16-3/4(425)	2-1/4(57)	43-7/8(1115)	15-3/4(401)	2-7/8(73)	46-1/4(1175)	37(940)	1-1/2(38)
HBD20	12X9	40-1/4(1022)	48(1219)	24(610)	13(330)	13-3/4(349)	17-3/4(451)	2-1/4(57)	44-1/4(1124)	18(457)	2-7/8(73)	47-1/4(1200)	39-1/2(1033)	2(51)
HBD30	12X12	40-1/4(1022)	48(1219)	32-1/4(819)	16-1/4(413)	13-3/4(349)	16(406)	7-1/4(184)	44-1/4(1124)	26-1/2(673)	1-1/4(32)	47-1/4(1200)	39-1/2(1033)	2(51)
HBD40	15X12	43-1/2(1105)	62(1575)	32-1/4(819)	16-3/4(425)	16-1/8(410)	22-3/4(578)	6-1/4(159)	58-1/4(1480)	26-1/2(673)	1-1/4(32)	61-1/4(1556)	42-1/2(1080)	2(51)

TITLE		
HORIZONTAL BELT DRIVE MOT CTRL		
MODEL HBD		
JOB NUMBER		
JOB NAME		
DRAWN BY A. HUBBARD	REVISION B	SHEET 1 OF 1
DRAWING NUMBER I100-90011618		