



HTY SERIES FAN POWERED TERMINAL UNIT



Engineered for commercial spaces, the new HTY from IEC is designed to leverage your dedicated outdoor air system to intelligently deliver the ideal balance of dehumidified outdoor air for great comfort at an efficient operating cost. As the leader in fan coil technology, IEC is setting the standard once again in the commercial marketplace with the space-conscious, economical design of the new HTY Series Fan Powered Terminal Unit.

The HTY Advantage

EASY INSTALLATION AND SERVICE

These units arrive at the jobsite ready to hang with pre-installed channels. Access panels are designed to offer convenient access to critical parts for rapid service, cleaning and maintenance.

ECONOMICAL OPERATING EXPENSES

Modulating energy-efficient ECM fan and optional modulating valves are ready to be paired with your specified controls and BMS.

QUIET OPERATION, AS QUIET AS YOU NEED.

Not only does the HTY deliver quality outdoor air, but the compact design operates quietly in the background thanks to features such as the optional return air module, perforated double wall insulation liner, and EC Motor. Standard unit configurations with sound levels down to NC 35 with an optional attenuator available to further reduce.

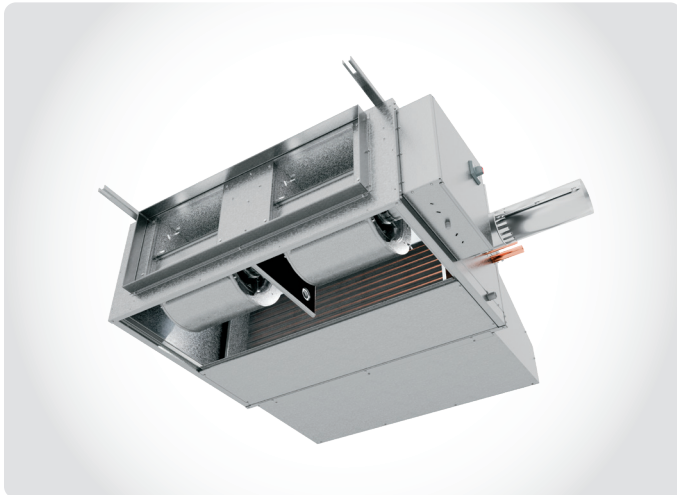
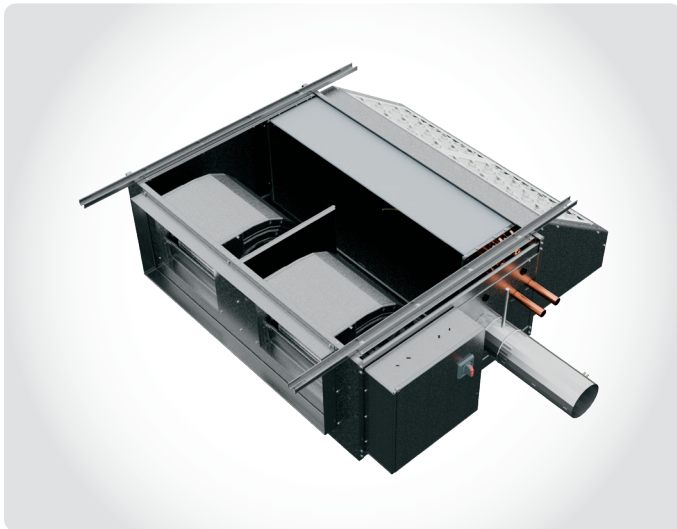
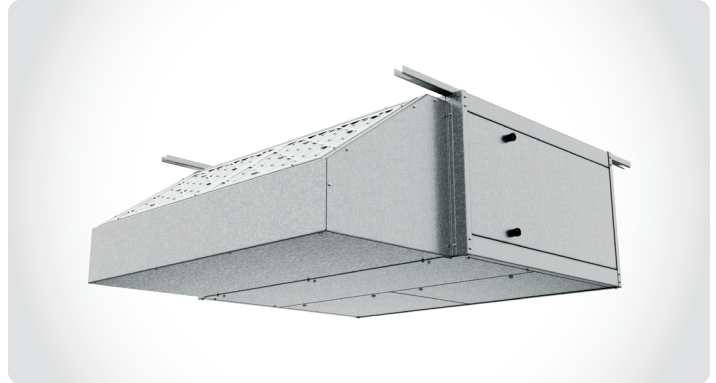
DOAS READY

By leveraging the compatible DOAS feature, the HTY terminal units can deliver a balance of dehumidified, preconditioned outdoor air.

HTY SERIES FAN POWERED TERMINAL UNIT

The HTY is DDC Controls compatible.

Compatible with your sensors and meters to control valves based on the specific needs of the occupants in your space.



More Features

- Unit sizes ranging from 600 to 2000 (CFM) performance for your specific needs.
- Customizable – can be programmed or tuned to specific job requirements.
- You choose unit sizing and finish options.
- 2-Pipe Cooling Coil options.
- 4-Pipe Heating/Cooling configuration available or take advantage of electric heat options.
- Standard EC Motor – Constant CFM (volume).
- Integrated Primary Outdoor Air Damper Assembly.
- Access panels are conveniently located at the bottom and side for easy servicing of blowers and motors.
- Finish options include galvanized steel, with optional painted finishes.
- Designed to help buildings meet ASHRAE standards 90.1 and 62.1.
- Sound data based on testing conducted in accordance with AHRI-880.
- AHRI 440 certified.
- 2-inch MERV 8 or MERV 13 filters.
- 4-inch MERV 13 filters.
- Piping packages with hoses for ease of installation.
- Condensate overflow switch.

5000 W. I-40 Service Rd.
Oklahoma City, OK 73128
Phone: 405.605.5000
Fax: 405.605.5001
www.iec-okc.com



Part#: I100-90051582 | FL-070 | Created: May 14, 2024

International Environmental Corporation (IEC) works continually to improve its products. As a result, the design and specifications of each product may be changed without notice and may not be as described herein. Please contact IEC for information regarding current design and product specifications. Statements and other information contained herein are not express warranties and do not form the basis of any bargain between the parties but are merely IEC's opinion or commendation of its products. Manufacturer's standard limited warranty applies. The latest version of this document is available at www.iec-okc.com.
© International Environmental Corporation (IEC). All Rights Reserved 2024